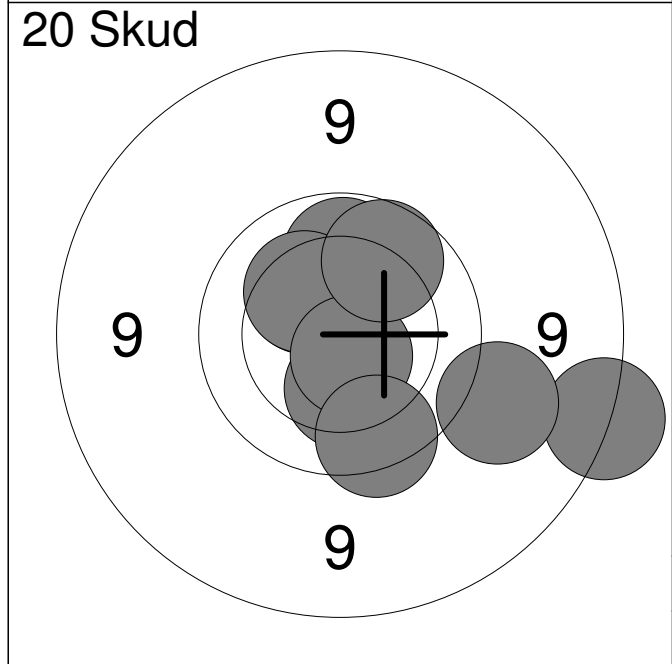
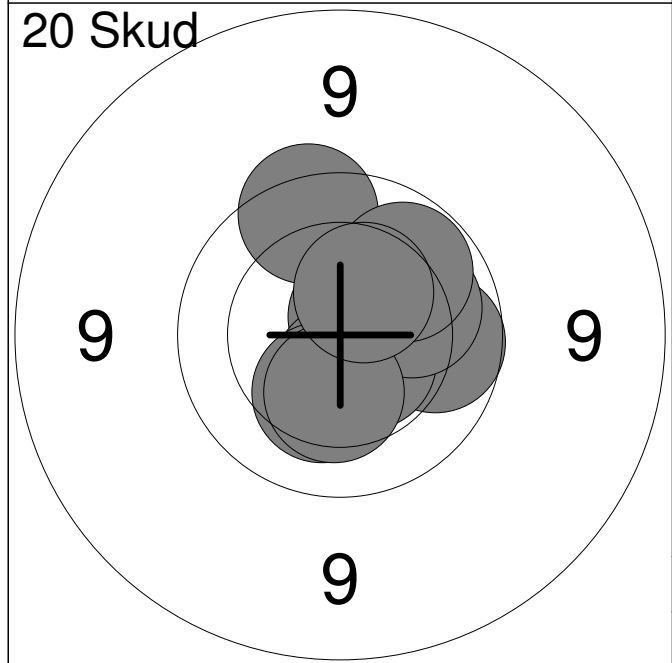


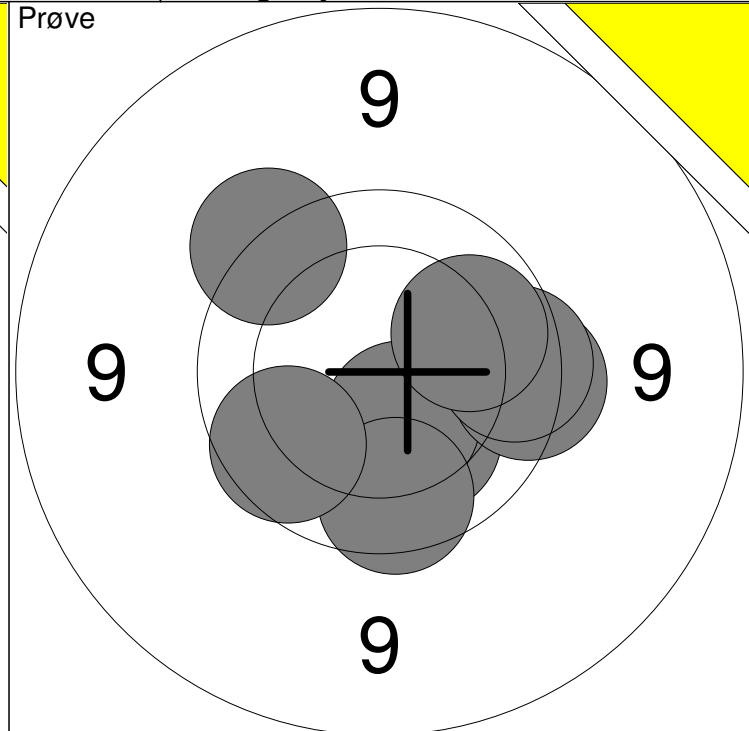
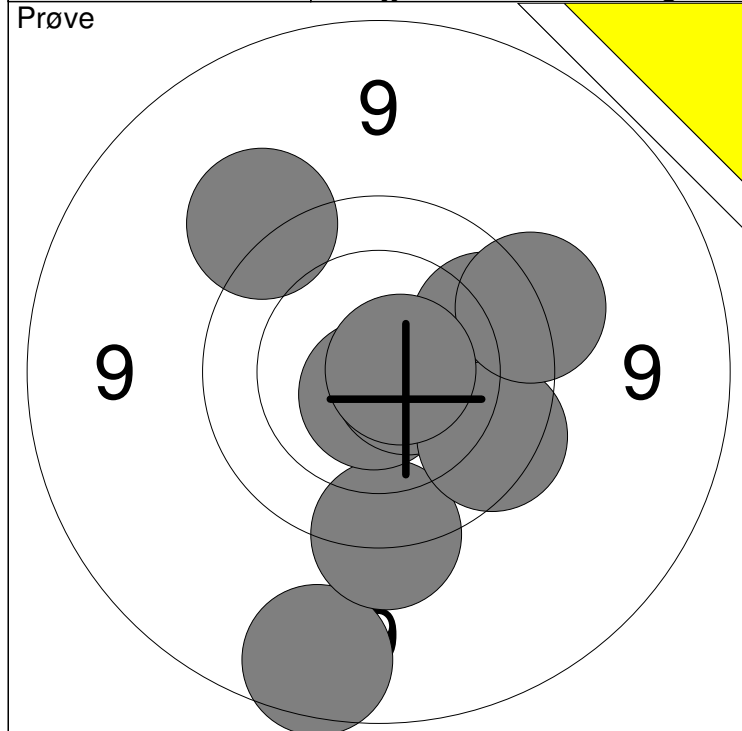
1:	9.6	↖
2:	9.7	↗
3:	10.7x	→
4:	9.6	→
5:	9.8	↗
Serie		46.0
Total		0.0



1:	10.3	↖
2:	10.2	↑
3:	10.0	↑
4:	10.3	↗
5:	8.7	→
6:	10.3	↓
7:	9.3	→
8:	10.6x	↓
9:	9.8	↓
10:	9.9	↖
Serie		95.0
Total		95.0

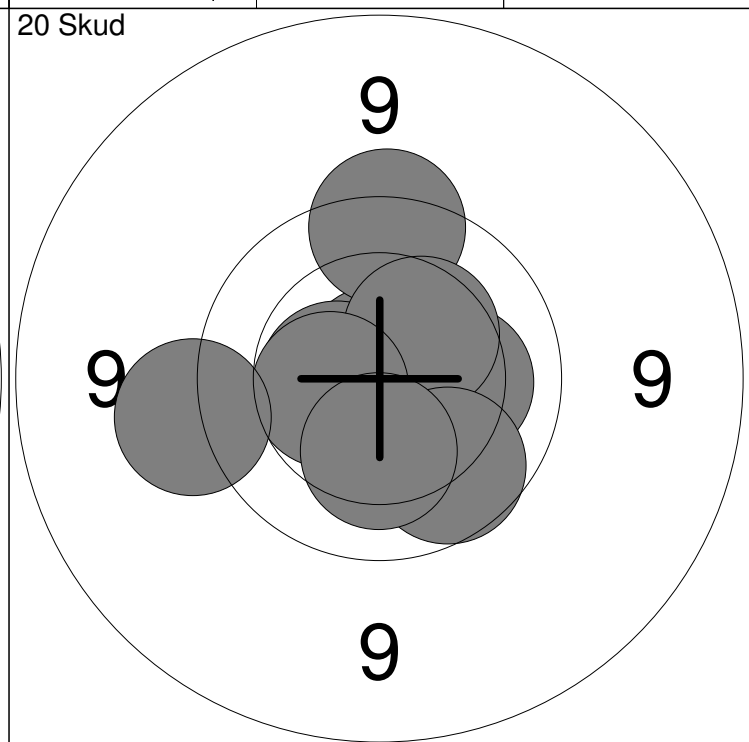
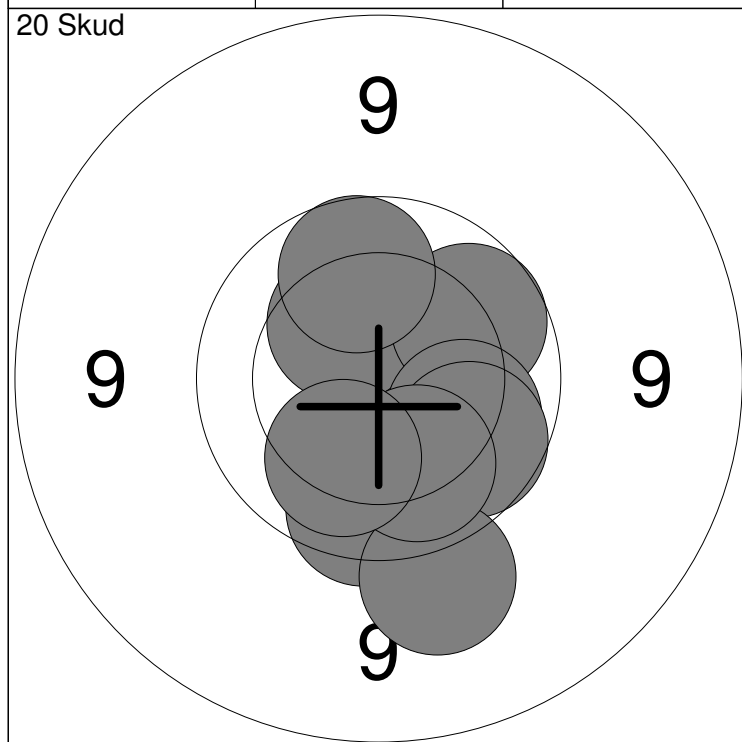


11:	10.7x	↗
12:	9.9	→
13:	10.5x	↓
14:	10.3	↓
15:	10.6x	↘
16:	10.1	↗
17:	10.3	↓
18:	9.7	↑
19:	10.0	↗
20:	10.4	↖
Serie		98.0
Total		193.0



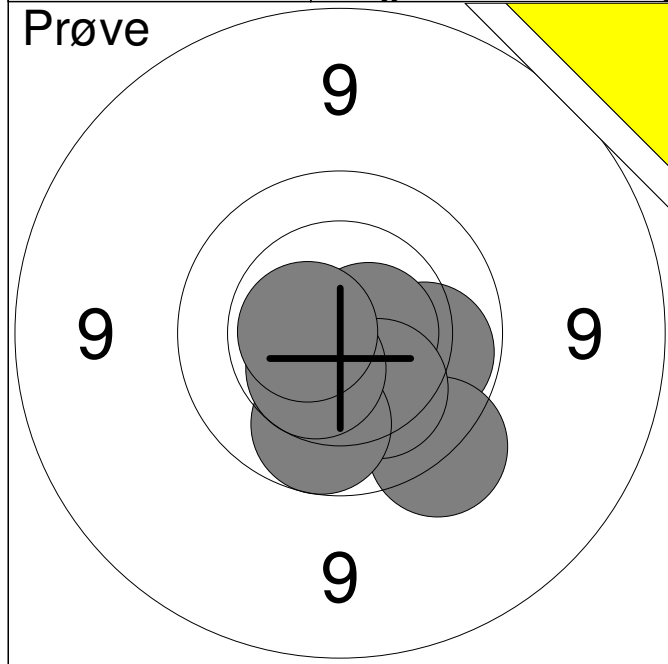
1: 8.9 ↓	6: 10.6x →	Serie	93
2: 9.6 ↓	7: 9.8 ↘		
3: 10.2 →	8: 9.6 →	Total	0
4: 10.7x ↓	9: 10.7x →		
5: 9.9 ↗	10: 9.5 ↗		

11: 10.2 ↓	16: 9.9 ↙	Serie	75
12: 10.4 ↓	17: 9.6 ↗		
13: 9.7 →	18: 10.0 ↗	Total	0
14: 9.8 →			
15: 9.8 ↓			

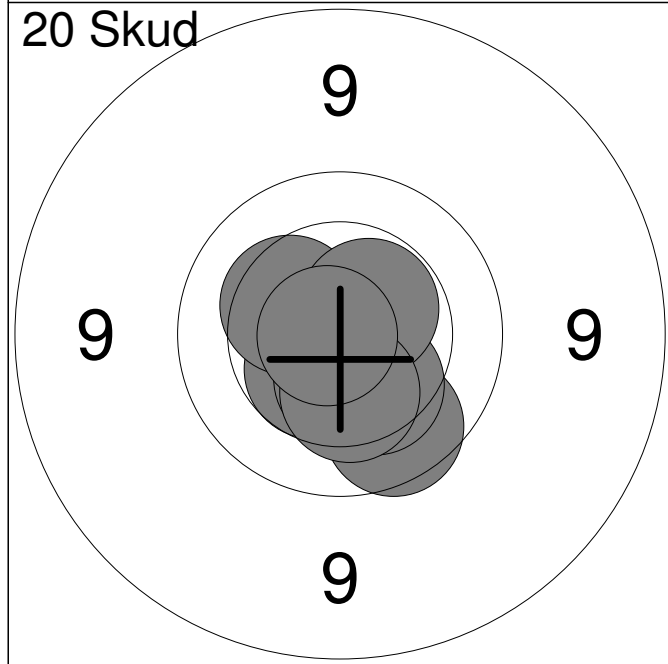


1: 10.3 ↗	6: 9.8 ↓	Serie	94
2: 9.9 ↗	7: 9.4 ↓		
3: 9.8 ↓	8: 10.1 ↓	Total	94
4: 10.0 ↘	9: 10.1 ↘		
5: 9.9 ↘	10: 9.9 ↗		

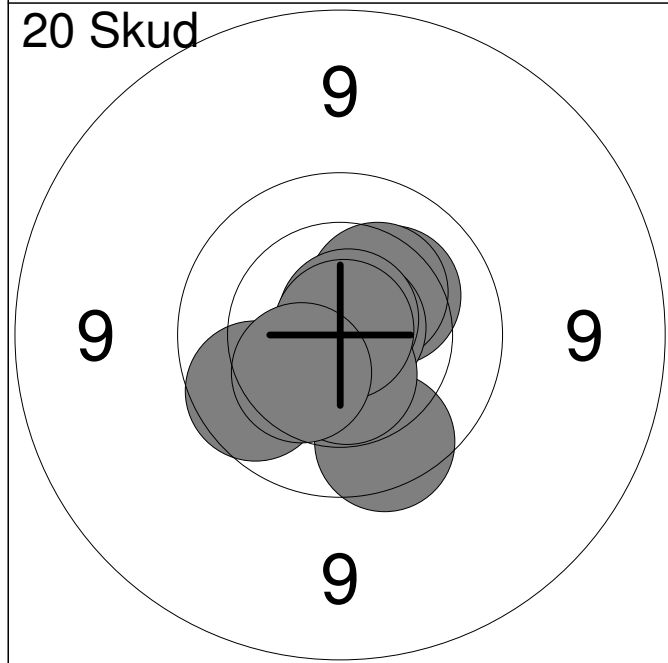
11: 10.8x ↑	16: 10.4 ↗	Serie	97
12: 10.5x ↗	17: 10.5 ↙		
13: 10.5x ←	18: 9.9 ↓	Total	191
14: 9.7 ↑	19: 10.3 ↓		
15: 10.2 →	20: 9.5 ←		



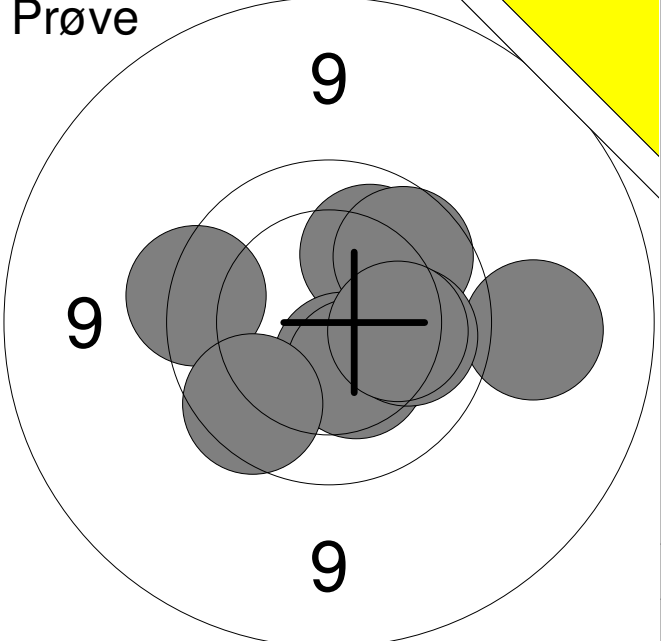
1:	10.0	→
2:	9.6	↘
3:	10.6x	→
4:	10.2	↘
5:	9.9	↘
6:	10.5	↘
7:	10.6x	←
Serie		68.0
Total		0.0

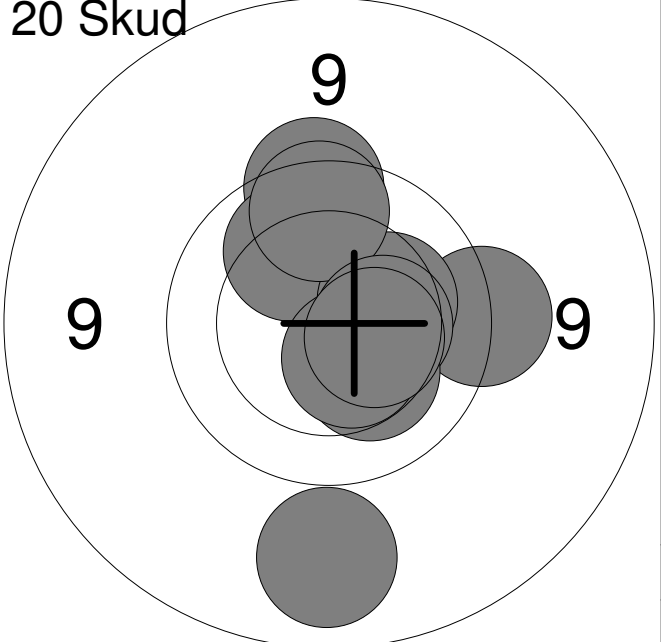


1:	10.5x	↘
2:	10.8x	←
3:	10.5	↘
4:	9.9	↘
5:	10.3	↗
6:	10.5	↘
7:	10.3	↘
8:	10.5x	↗
9:	10.3	↘
10:	10.8x	←
Serie		99.0
Total		99.0

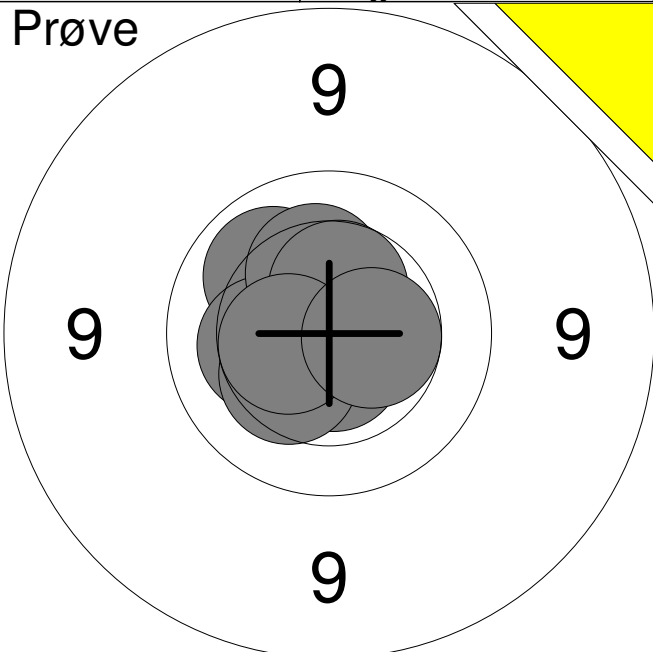
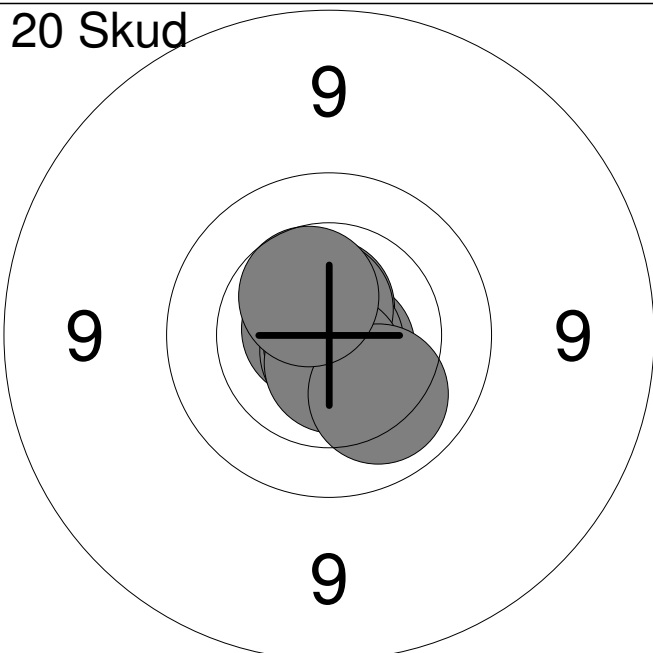
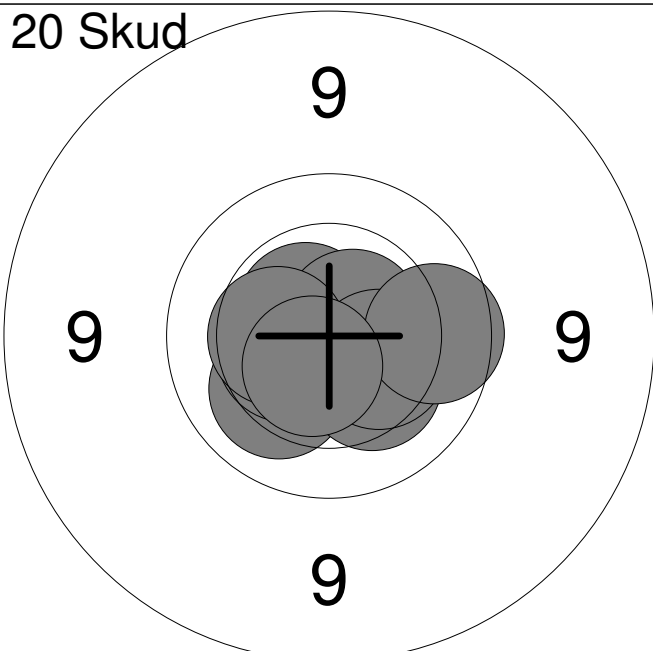


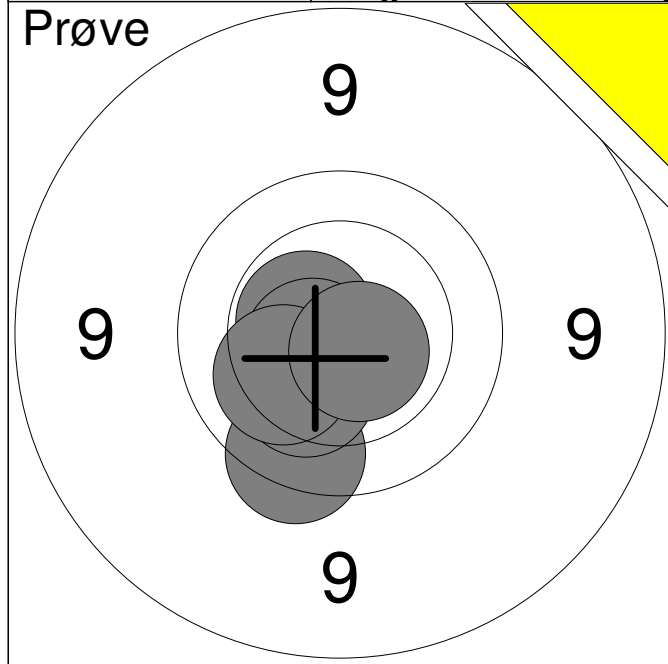
11:	10.3	↗
12:	10.3	↗
13:	10.8x	→
14:	9.8	↘
15:	10.6x	↘
16:	9.9	←
17:	10.8x	↗
18:	10.5x	↘
19:	10.9x	↗
20:	10.4	↘
Serie		98.0
Total		197.0

<p>Prøve</p> 	<table style="width:100%; border-collapse: collapse;"> <tr><td>1:</td><td>9.7</td><td>←</td></tr> <tr><td>2:</td><td>10.4</td><td>↘</td></tr> <tr><td>3:</td><td>9.3</td><td>→</td></tr> <tr><td>4:</td><td>10.1</td><td>↗</td></tr> <tr><td>5:</td><td>10.5x</td><td>↓</td></tr> <tr><td>6:</td><td>9.9</td><td>↗</td></tr> <tr><td>7:</td><td>10.4</td><td>↓</td></tr> <tr><td>8:</td><td>9.8</td><td>↖</td></tr> <tr><td>9:</td><td>10.1</td><td>→</td></tr> <tr><td>10:</td><td>10.2</td><td>→</td></tr> <tr><td colspan="2">Serie</td><td>96.0</td></tr> <tr><td colspan="2">Total</td><td>0.0</td></tr> </table>	1:	9.7	←	2:	10.4	↘	3:	9.3	→	4:	10.1	↗	5:	10.5x	↓	6:	9.9	↗	7:	10.4	↓	8:	9.8	↖	9:	10.1	→	10:	10.2	→	Serie		96.0	Total		0.0
1:	9.7	←																																			
2:	10.4	↘																																			
3:	9.3	→																																			
4:	10.1	↗																																			
5:	10.5x	↓																																			
6:	9.9	↗																																			
7:	10.4	↓																																			
8:	9.8	↖																																			
9:	10.1	→																																			
10:	10.2	→																																			
Serie		96.0																																			
Total		0.0																																			

<p>20 Skud</p> 	<table style="width:100%; border-collapse: collapse;"> <tr><td>1:</td><td>9.7</td><td>↑</td></tr> <tr><td>2:</td><td>10.1</td><td>↗</td></tr> <tr><td>3:</td><td>9.6</td><td>→</td></tr> <tr><td>4:</td><td>10.3</td><td>→</td></tr> <tr><td>5:</td><td>9.8</td><td>↑</td></tr> <tr><td>6:</td><td>10.4</td><td>→</td></tr> <tr><td>7:</td><td>10.3</td><td>↓</td></tr> <tr><td>8:</td><td>10.5x</td><td>↓</td></tr> <tr><td>9:</td><td>10.4</td><td>→</td></tr> <tr><td>10:</td><td>9.1</td><td>↓</td></tr> <tr><td colspan="2">Serie</td><td>96.0</td></tr> <tr><td colspan="2">Total</td><td>96.0</td></tr> </table>	1:	9.7	↑	2:	10.1	↗	3:	9.6	→	4:	10.3	→	5:	9.8	↑	6:	10.4	→	7:	10.3	↓	8:	10.5x	↓	9:	10.4	→	10:	9.1	↓	Serie		96.0	Total		96.0
1:	9.7	↑																																			
2:	10.1	↗																																			
3:	9.6	→																																			
4:	10.3	→																																			
5:	9.8	↑																																			
6:	10.4	→																																			
7:	10.3	↓																																			
8:	10.5x	↓																																			
9:	10.4	→																																			
10:	9.1	↓																																			
Serie		96.0																																			
Total		96.0																																			

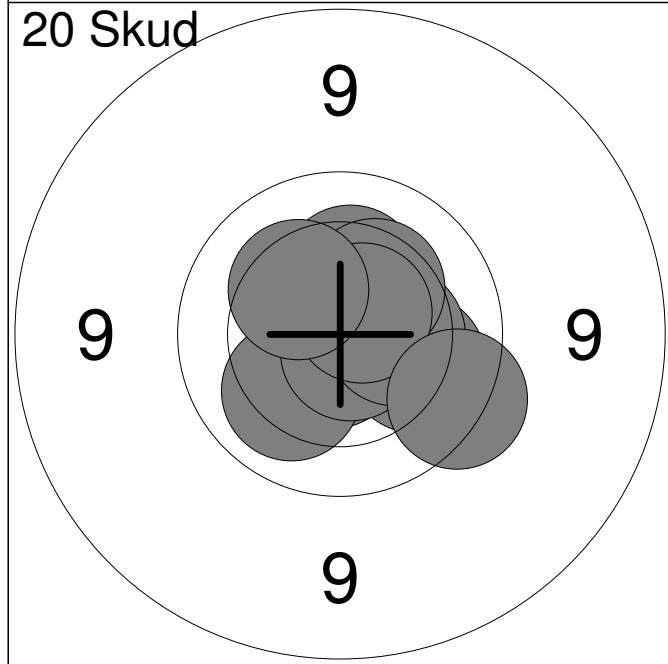
<p>20 Skud</p> 	<table style="width:100%; border-collapse: collapse;"> <tr><td>11:</td><td>9.9</td><td>↓</td></tr> <tr><td>12:</td><td>10.2</td><td>→</td></tr> <tr><td>13:</td><td>9.6</td><td>↖</td></tr> <tr><td>14:</td><td>10.7x</td><td>↓</td></tr> <tr><td>15:</td><td>9.8</td><td>↘</td></tr> <tr><td>16:</td><td>9.2</td><td>↗</td></tr> <tr><td>17:</td><td>9.8</td><td>↖</td></tr> <tr><td>18:</td><td>9.7</td><td>→</td></tr> <tr><td>19:</td><td>10.8x</td><td>↘</td></tr> <tr><td>20:</td><td>9.5</td><td>↓</td></tr> <tr><td colspan="2">Serie</td><td>93.0</td></tr> <tr><td colspan="2">Total</td><td>189.0</td></tr> </table>	11:	9.9	↓	12:	10.2	→	13:	9.6	↖	14:	10.7x	↓	15:	9.8	↘	16:	9.2	↗	17:	9.8	↖	18:	9.7	→	19:	10.8x	↘	20:	9.5	↓	Serie		93.0	Total		189.0
11:	9.9	↓																																			
12:	10.2	→																																			
13:	9.6	↖																																			
14:	10.7x	↓																																			
15:	9.8	↘																																			
16:	9.2	↗																																			
17:	9.8	↖																																			
18:	9.7	→																																			
19:	10.8x	↘																																			
20:	9.5	↓																																			
Serie		93.0																																			
Total		189.0																																			

Hold	Skive	Thomas Grøn Bendixen	
24	10		
15m	Hjørring Skytteforening	BK1	
	Nordjysk Mesterskab Ungdom	Aalborg Skyttekreds	
Prøve		1: 10.5 ↗ 2: 10.1 ↗ 3: 10.3 ← 4: 10.3 ↑ 5: 10.6x ↓ 6: 10.5 ↑ 7: 10.3 ↘ 8: 10.5x ← 9: 10.5 →	
		Serie	90.0
		Total	0.0
20 Skud		1: 10.9x ↓ 2: 10.8x ↗ 3: 10.8x ↓ 4: 10.7x ↓ 5: 10.7x ↑ 6: 10.9x ↓ 7: 10.7x ↑ 8: 10.6x ↓ 9: 10.1 ↓ 10: 10.5 ↗	
		Serie	100.0
		Total	100.0
20 Skud		11: 10.6x ↗ 12: 10.6x → 13: 10.2 ↘ 14: 10.5 ← 15: 10.3 ↓ 16: 10.6x ↗ 17: 10.4 ← 18: 10.3 ↘ 19: 9.9 → 20: 10.6x ↘	
		Serie	99.0
		Total	199.0



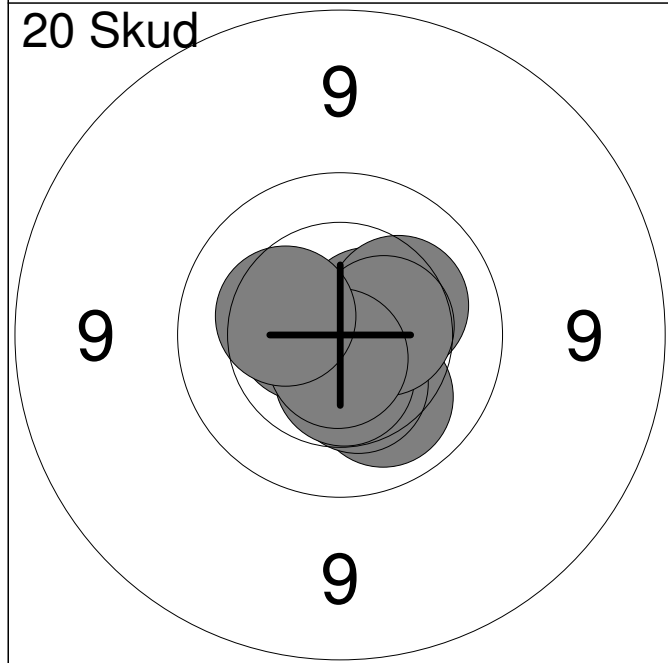
1:	9.7	↘
2:	10.6x	↖
3:	10.3	↘
4:	10.3	↘
5:	10.6x	↖
6:	10.2	↖
7:	10.7x	↘

Serie	69.0
Total	0.0



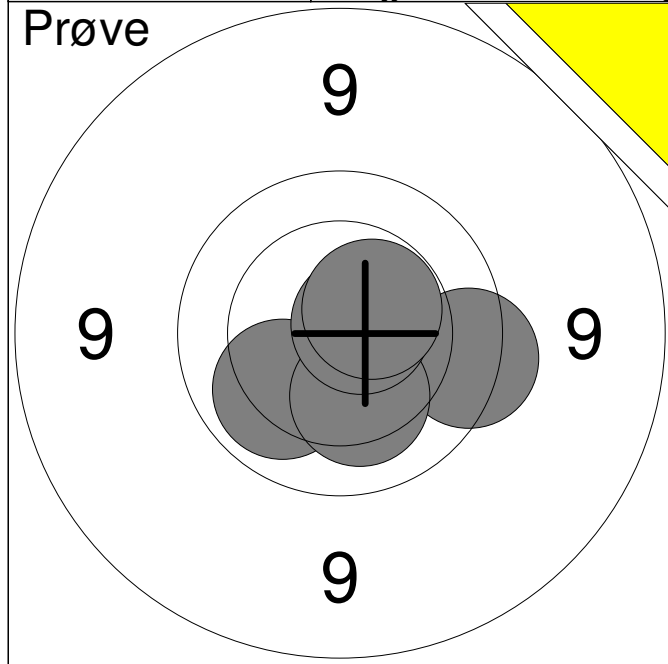
1:	10.7x	↘
2:	10.1	↘
3:	10.1	→
4:	10.3	↑
5:	10.7x	↘
6:	10.4	→
7:	10.3	↗
8:	10.6x	↗
9:	9.7	↘
10:	10.3	↗

Serie	99.0
Total	99.0

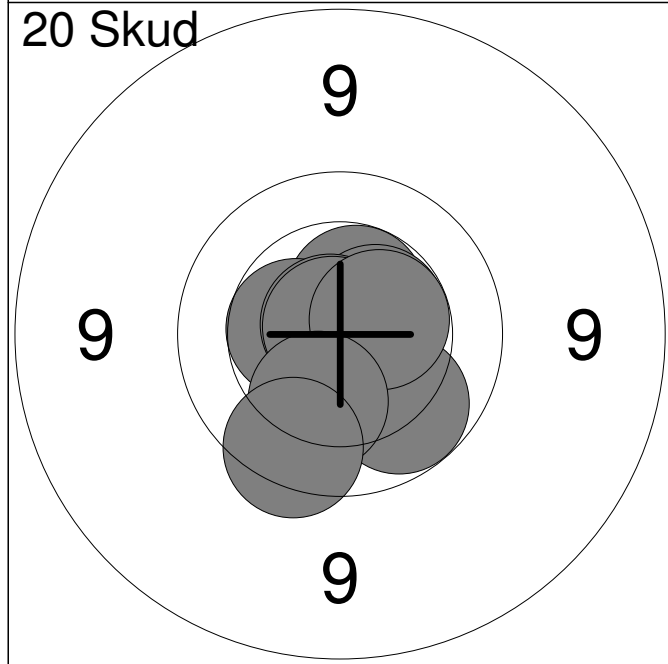


11:	10.1	↘
12:	10.4	↘
13:	10.8x	↘
14:	10.5x	↘
15:	10.6x	↗
16:	10.6x	↖
17:	10.2	↗
18:	10.5	→
19:	10.7x	↘
20:	10.3	↖

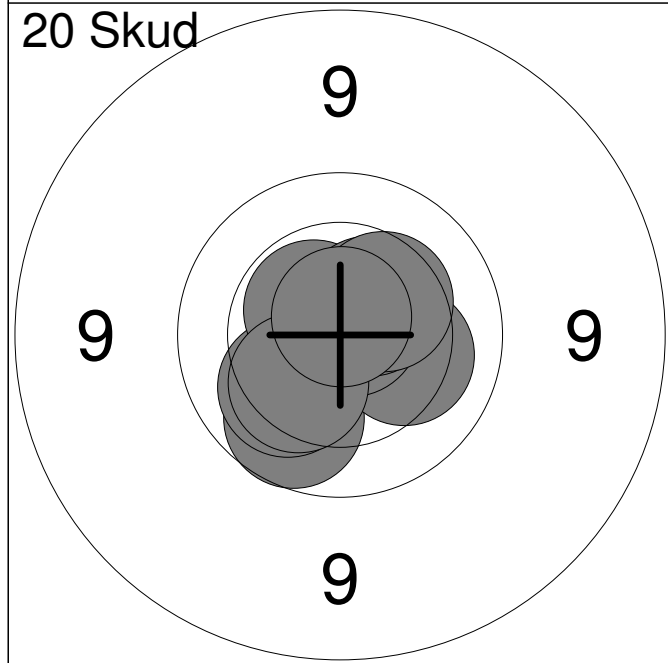
Serie	100.0
Total	199.0



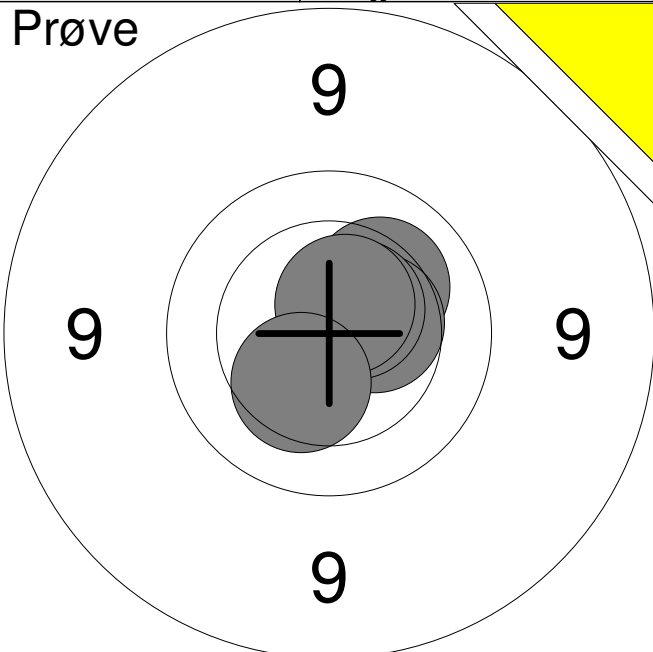
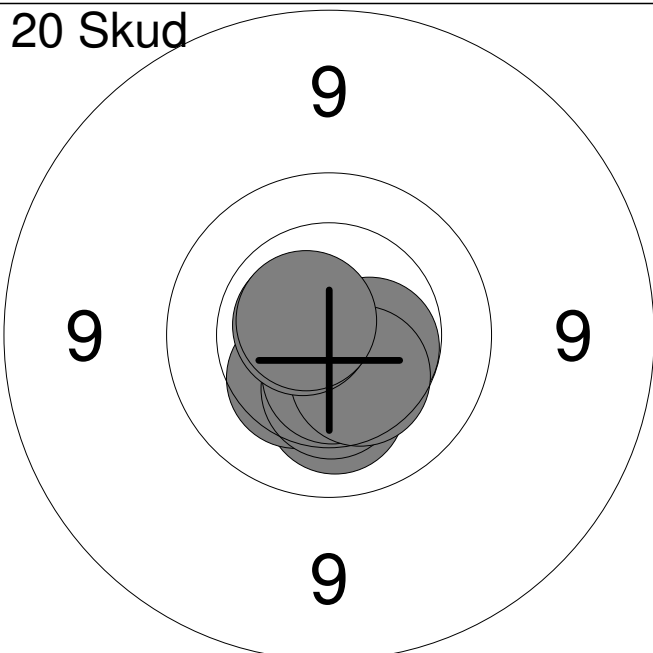
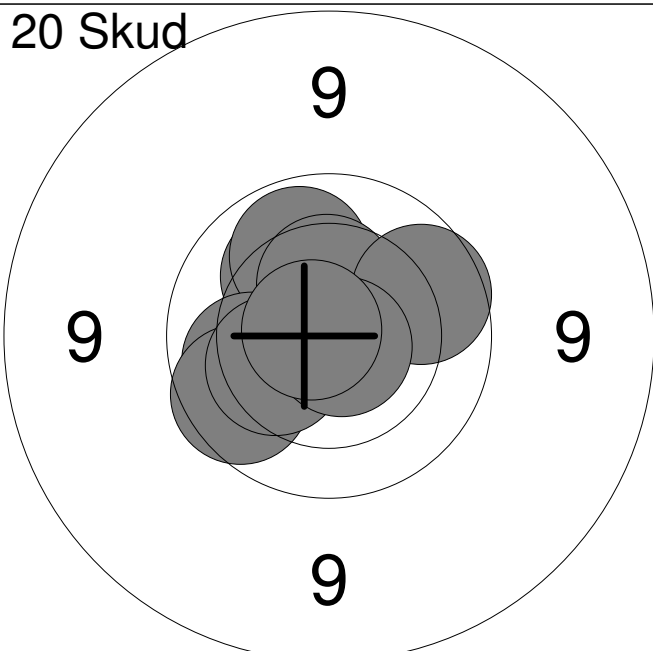
1:	9.7	→
2:	10.1	↙
3:	10.2	↓
4:	10.7x	→
5:	10.5x	↗
Serie		49.0
Total		0.0

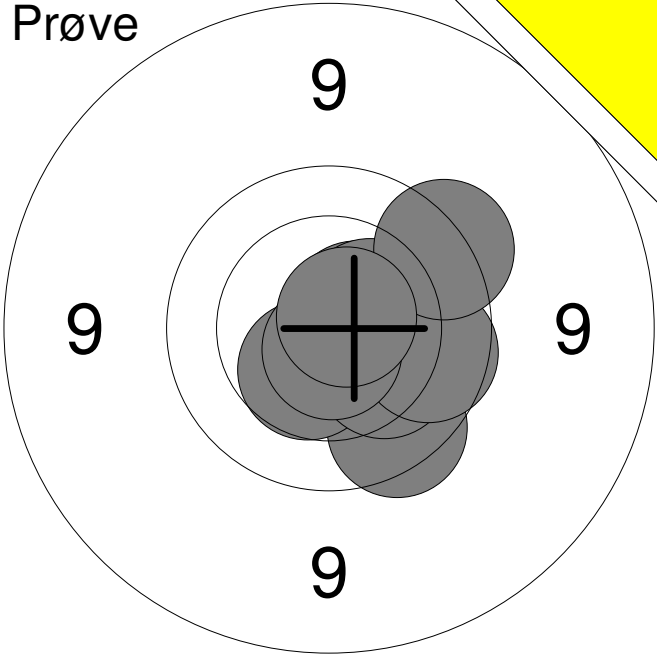
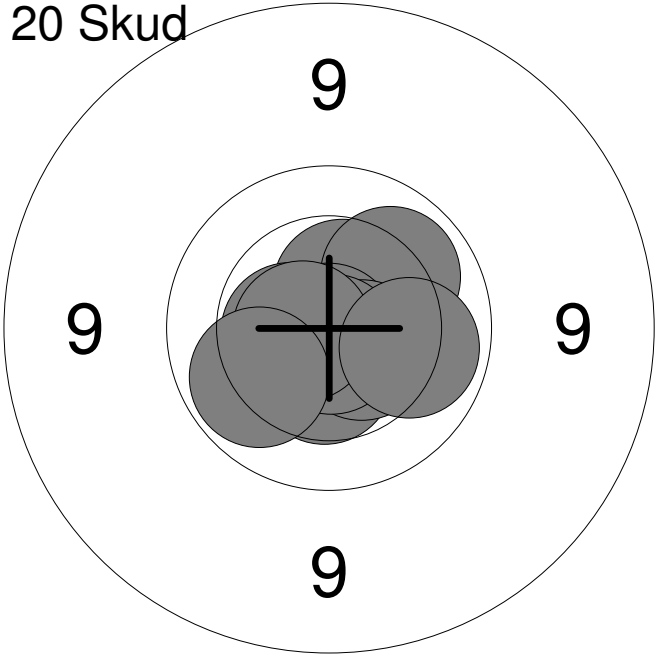
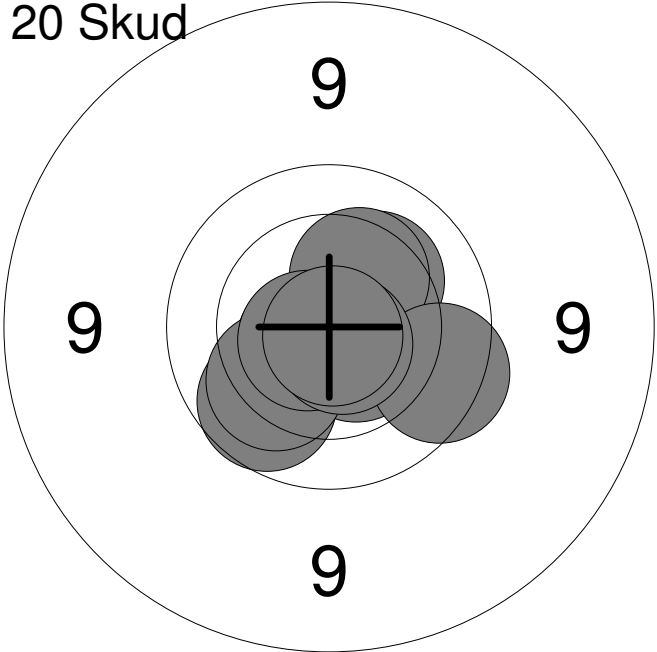


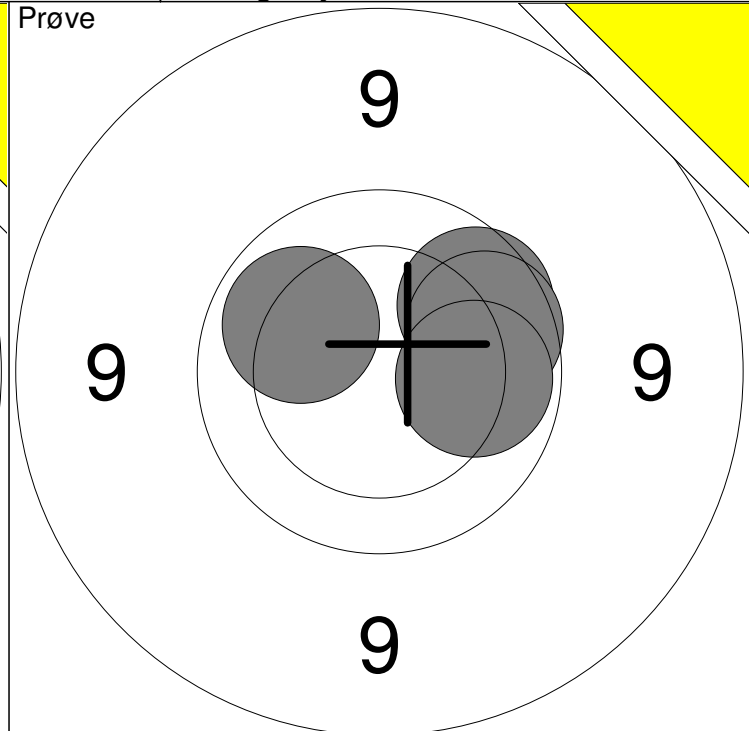
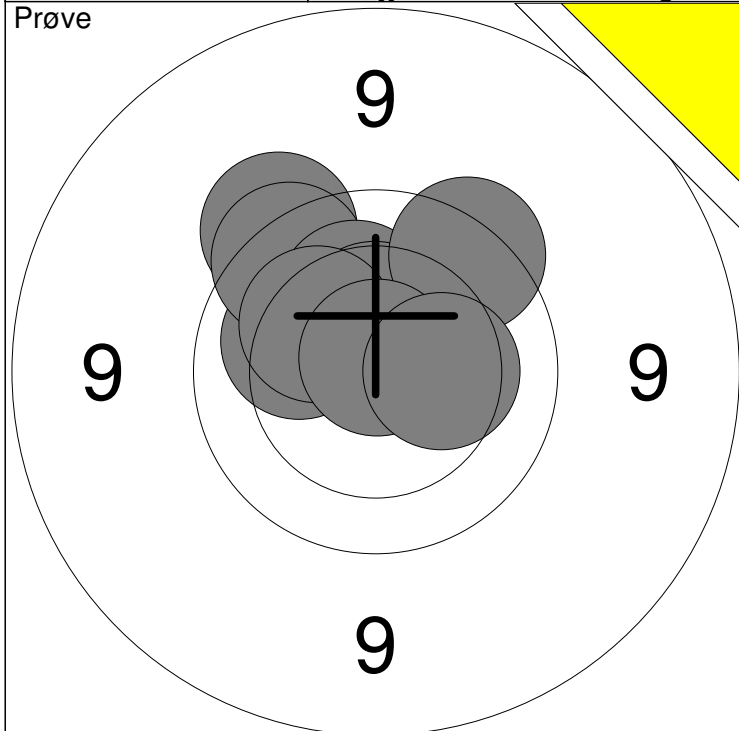
1:	10.7x	→
2:	10.5x	↑
3:	10.5	←
4:	10.5x	→
5:	10.8x	↗
6:	10.0	↓
7:	10.8x	↗
8:	10.5x	→
9:	10.2	↓
10:	9.8	↓
Serie		99.0
Total		99.0



11:	10.8x	↙
12:	9.9	↙
13:	10.2	↙
14:	10.6x	↗
15:	10.2	→
16:	10.8x	↗
17:	10.3	↙
18:	10.5x	↗
19:	10.4	↗
20:	10.7x	↑
Serie		99.0
Total		198.0

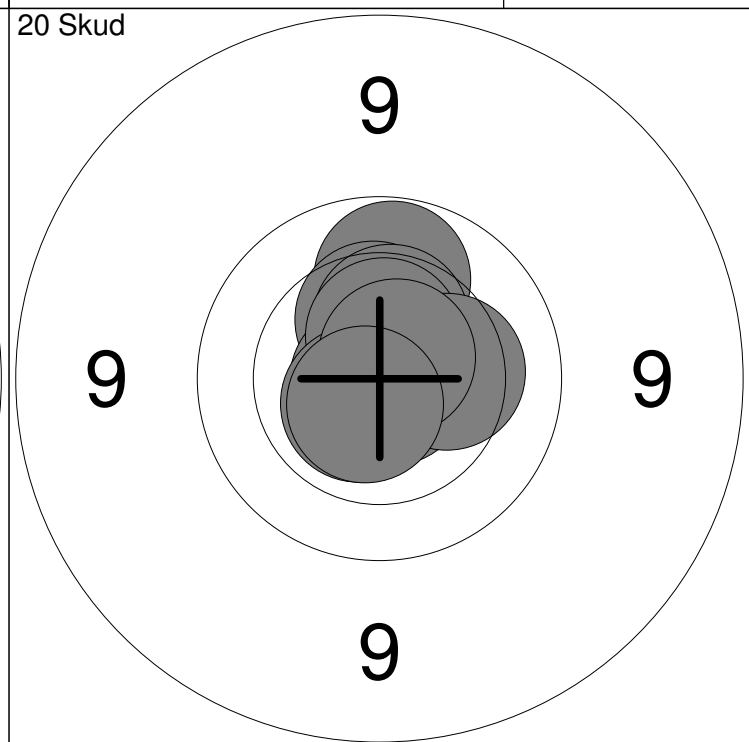
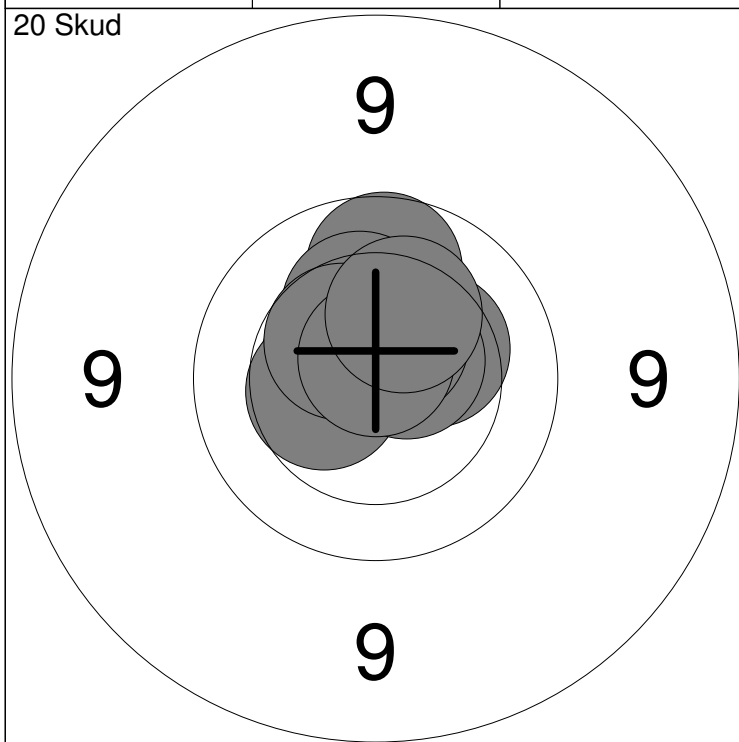
Hold	Skive	Frederik Rubæk	
25	1		
15m	Skf. Kimbrene	BK1	
	Nordjysk Mesterskab Ungdom	Aalborg Skyttekreds	
Prøve		1: 10.2 ↗	
		2: 10.4 →	
		3: 10.6x ↗	
		4: 10.6x ↗	
		5: 10.3 ↘	
		Serie	50.0
		Total	0.0
20 Skud		1: 10.2 ↓	
		2: 10.4 ↘	
		3: 10.8x ↓	
		4: 10.7x ↓	
		5: 10.5x →	
		6: 10.4 ↓	
		7: 10.5x ↓	
		8: 10.4 ↘	
		9: 10.6x ↗	
		10: 10.7x ↗	
		Serie	100.0
		Total	100.0
20 Skud		11: 10.2 ↗	
		12: 10.0 ↗	
		13: 10.1 ←	
		14: 10.4 ↑	
		15: 10.1 ←	
		16: 9.9 ↘	
		17: 10.3 ↘	
		18: 9.9 →	
		19: 10.8x ↘	
		20: 10.8x ←	
		Serie	98.0
		Total	198.0

Hold	Skive	Dirch Pedersen	
25	2		
15m	Løgstør Sportsskytteklub	BK2	
	Nordjysk Mesterskab Ungdom	Aalborg Skyttekreds	
Prøve		1: 10.6x → 2: 9.8 ↓ 3: 10.7x ↓ 4: 10.5 → 5: 10.4 ↓ 6: 10.2 ↓ 7: 9.9 → 8: 9.7 → 9: 10.7x ↓ 10: 10.7x →	
		Serie	97.0
		Total	0.0
20 Skud		1: 10.5x ↑ 2: 10.1 → 3: 10.4 ↓ 4: 10.9x ↓ 5: 10.5x ↓ 6: 10.8x ↓ 7: 10.5x ← 8: 10.7x ← 9: 10.1 → 10: 10.0 ↙	
		Serie	100.0
		Total	100.0
20 Skud		11: 10.6x ↓ 12: 9.9 ↙ 13: 10.3 → 14: 10.3 ↗ 15: 10.6x ↙ 16: 9.8 → 17: 10.1 ↙ 18: 10.7x ↙ 19: 10.7x ↓ 20: 10.8x ↓	
		Serie	98.0
		Total	198.0



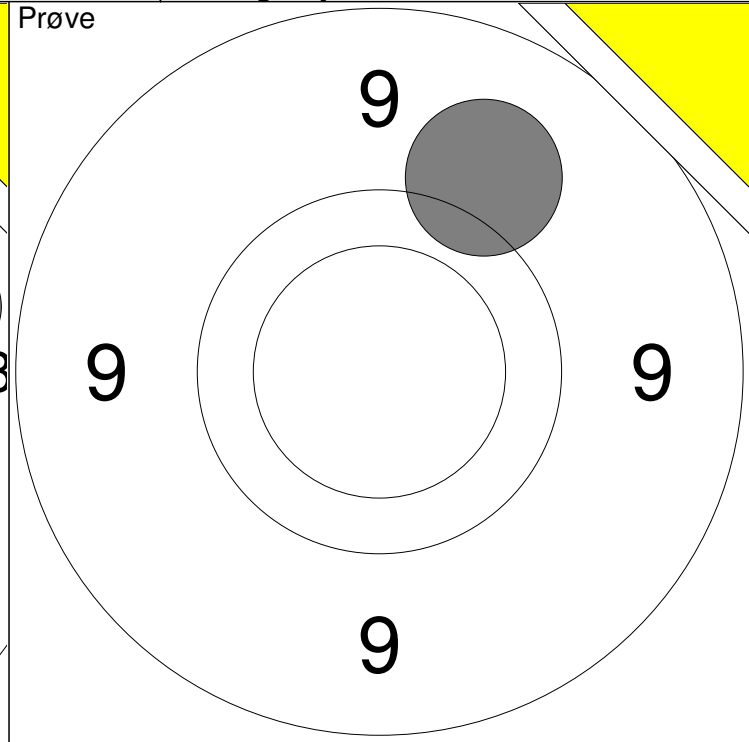
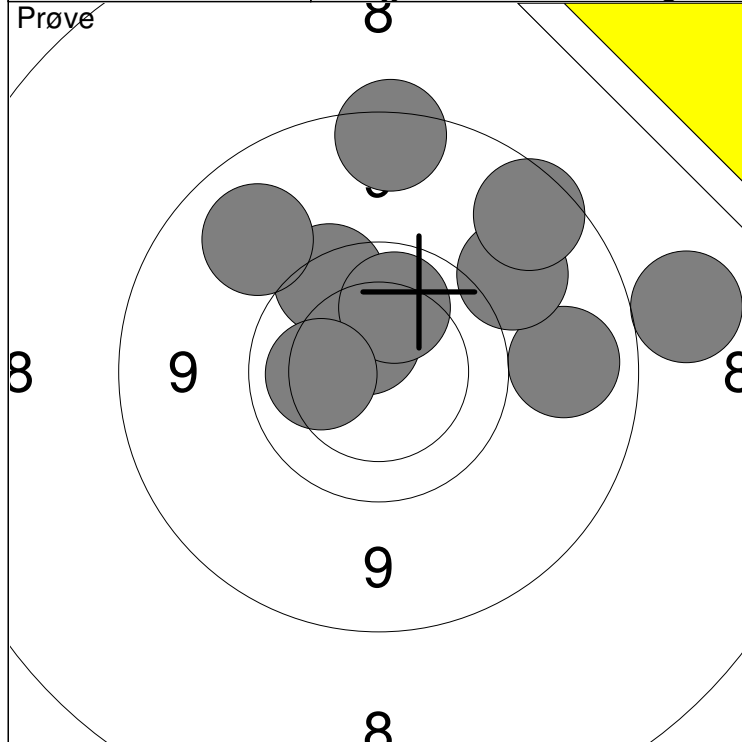
1: 10.2 ↖	6: 10.4 ↑	Serie	97
2: 10.4 ↑	7: 10.2 ↖		
3: 9.6 ↗	8: 9.7 ↗	Total	0
4: 9.7 ↗	9: 10.8x ↑		
5: 10.2 ↑	10: 10.3 →		

11: 9.9 ↗	Serie	38
12: 9.9 →		
13: 10.1 ↖	Total	0
14: 10.0 →		



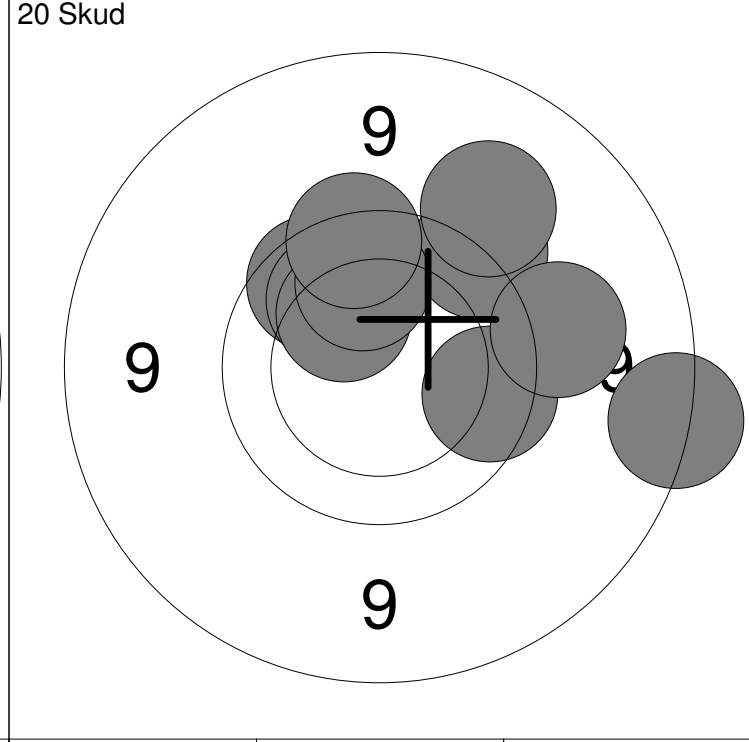
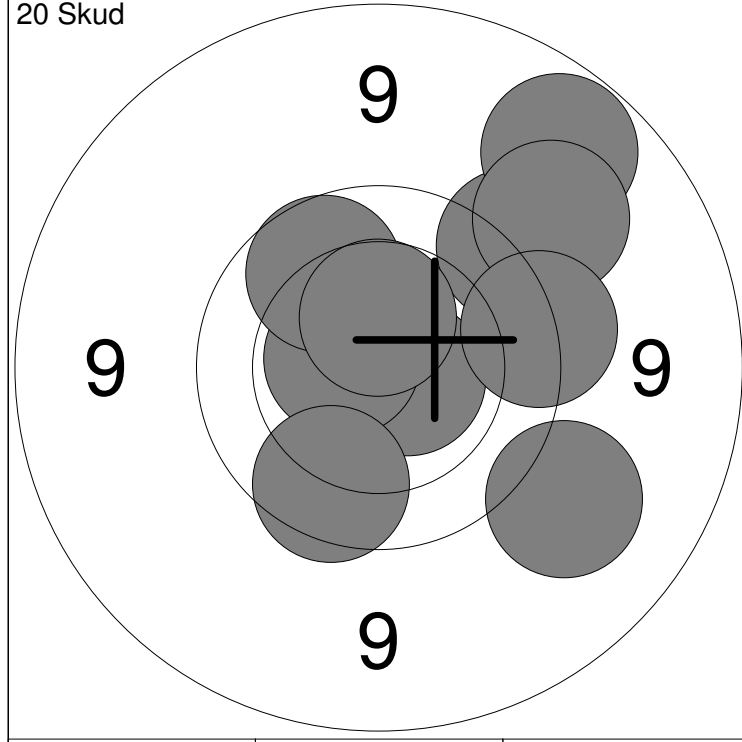
1: 10.3 ↗	6: 9.9 ↑	Serie	99
2: 10.6x ↖	7: 10.3 ↑		
3: 10.4 ←	8: 10.5 ↖	Total	99
4: 10.6x ↗	9: 10.8x ↑		
5: 10.5x ↑	10: 10.3 ↗		

11: 10.8x ↘	16: 10.5x ↑	Serie	100
12: 10.0 ↑	17: 10.6x ↙		
13: 10.4 ↑	18: 10.3 →	Total	199
14: 10.8x ←	19: 10.7x ↗		
15: 10.4 ↑	20: 10.7x ↘		



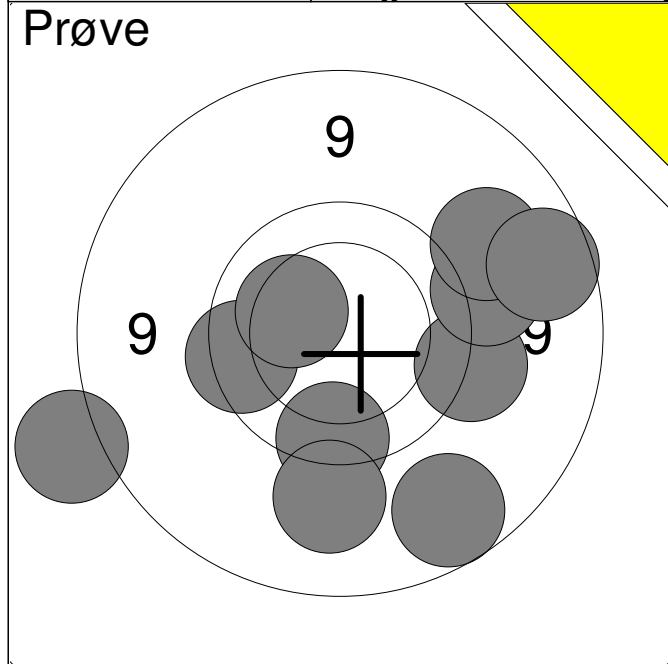
1: 9.1 →	6: 8.4 →	Serie	90
2: 10.5 ↗	7: 9.1 ↗		
3: 8.8 ↑	8: 9.2 ↗	Total	0
4: 9.7 ↗	9: 8.9 ↗		
5: 10.1 ↑	10: 10.2 ←		

11: 9.3 ↗	Serie	9
	Total	0

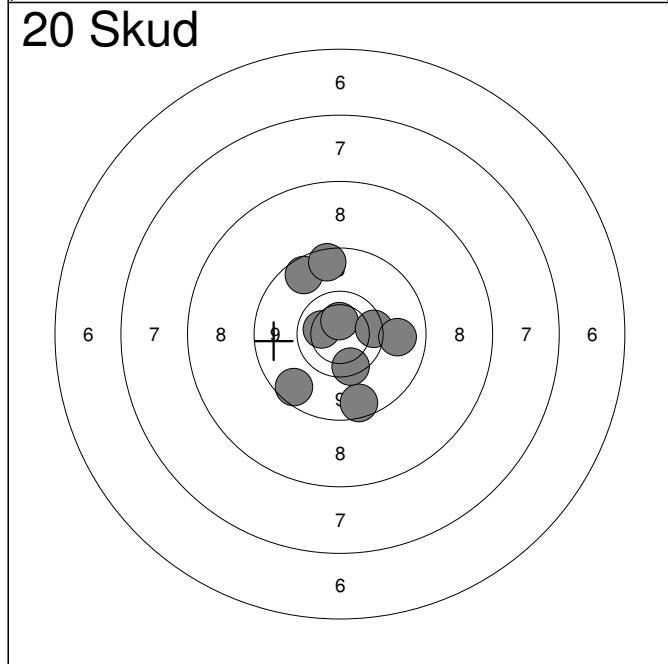


1: 10.7x →	6: 9.0 ↗	Serie	93
2: 9.3 ↘	7: 9.8 ↓		
3: 10.6x ←	8: 9.3 ↗	Total	93
4: 9.9 ↗	9: 10.5 ↑		
5: 9.5 ↗	10: 9.6 →		

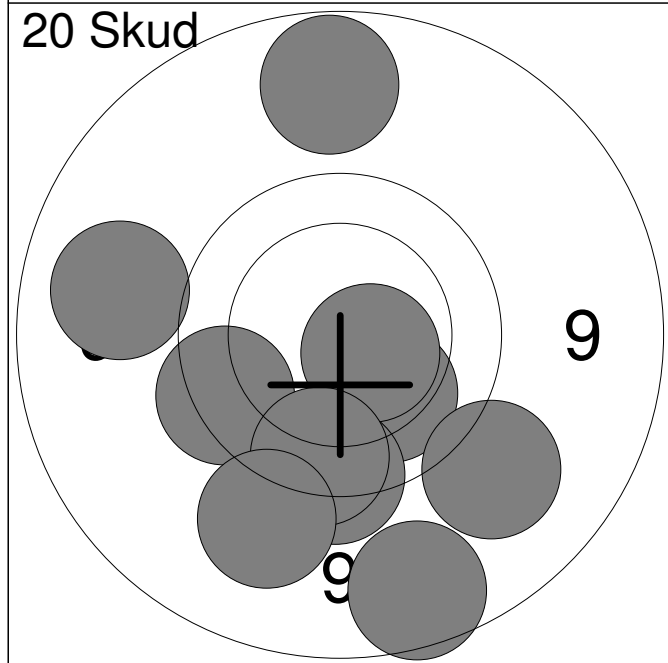
11: 9.8 ↗	16: 10.0 ↑	Serie	92
12: 10.0 ↗	17: 9.4 →		
13: 9.8 →	18: 8.7 →	Total	185
14: 9.5 ↗	19: 9.7 ↑		
15: 10.2 ↗	20: 9.3 ↗		



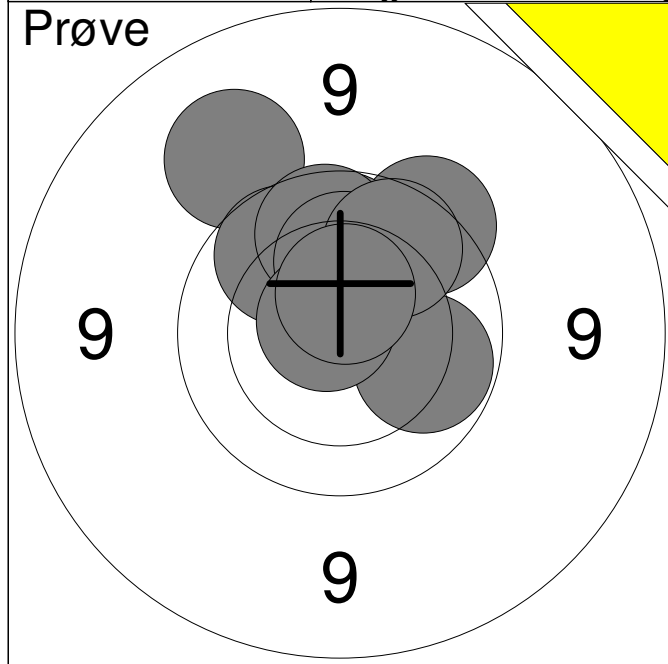
1:	8.5	←
2:	9.8	←
3:	9.7	↓
4:	9.5	→
5:	8.9	↓
6:	9.4	→
7:	10.2	↖
8:	9.2	↗
9:	8.9	→
10:	9.3	↓
Serie		88.0
Total		0.0



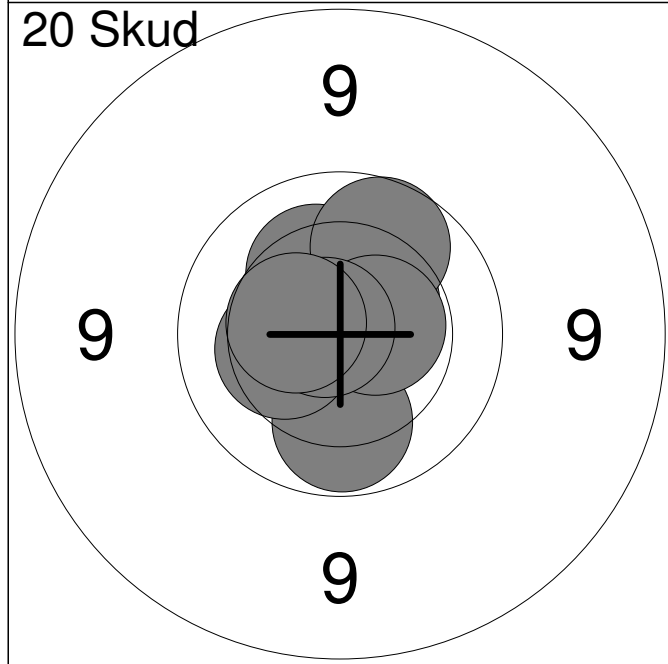
1:	10.2	←
2:	8.9	↓
3:	9.7	↓
4:	10.4	↑
5:	0.0	←
6:	9.7	→
7:	8.9	↗
8:	9.2	→
9:	8.9	↑
10:	8.9	↙
Serie		79.0
Total		79.0



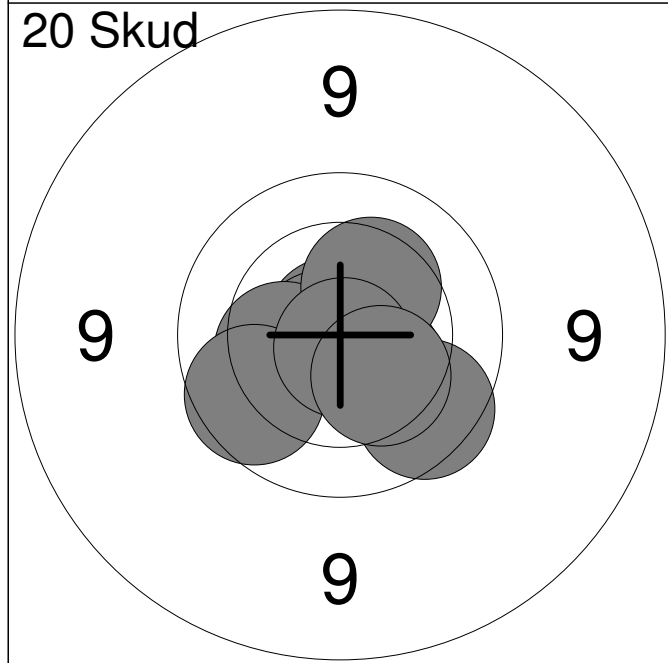
11:	10.1	↘
12:	9.3	↘
13:	9.7	↓
14:	9.0	↑
15:	9.7	←
16:	10.6x	↘
17:	9.1	←
18:	9.8	↓
19:	8.9	↓
20:	9.3	↙
Serie		91.0
Total		170.0



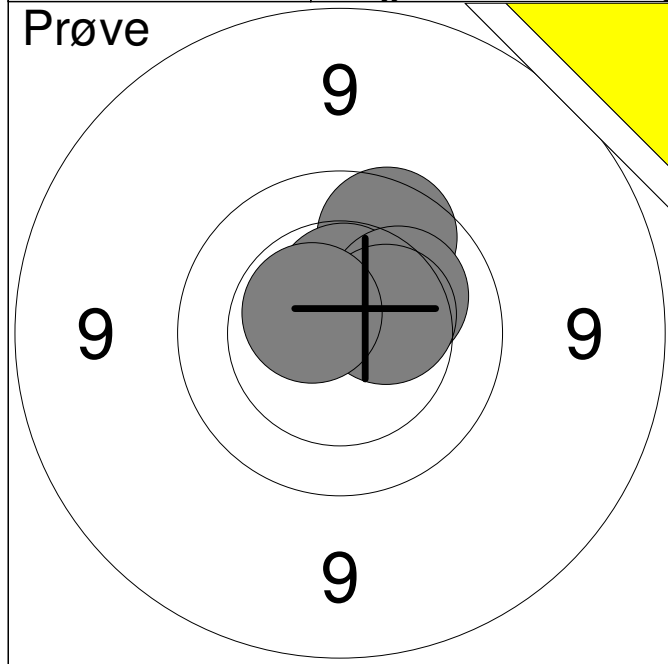
1:	9.3	↗
2:	9.7	↗
3:	10.0	→
4:	9.9	↗
5:	10.0	↑
6:	9.9	↑
7:	10.2	↑
8:	10.7x	↖
9:	9.9	↗
10:	10.5x	↑
Serie		95.0
Total		0.0



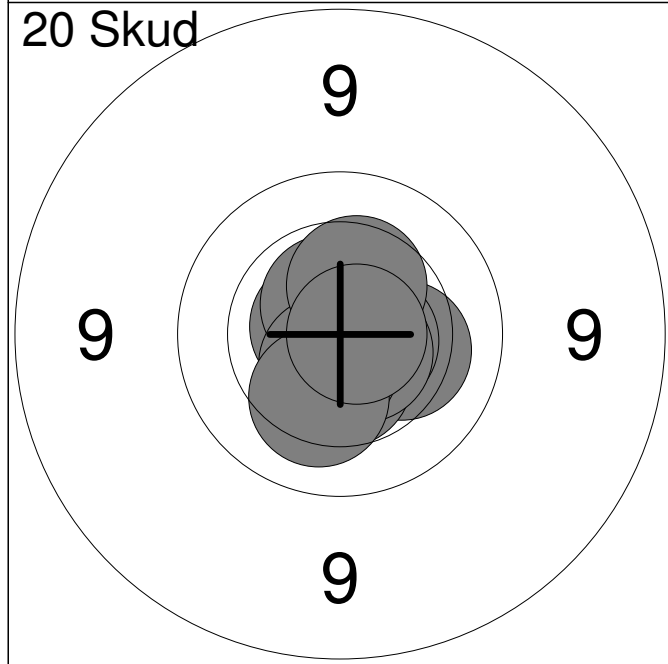
1:	10.9x	←
2:	10.6x	↗
3:	10.5	↗
4:	10.3	↑
5:	10.0	↓
6:	10.3	←
7:	9.9	↗
8:	10.6x	→
9:	10.8x	↖
10:	10.5	←
Serie		99.0
Total		99.0



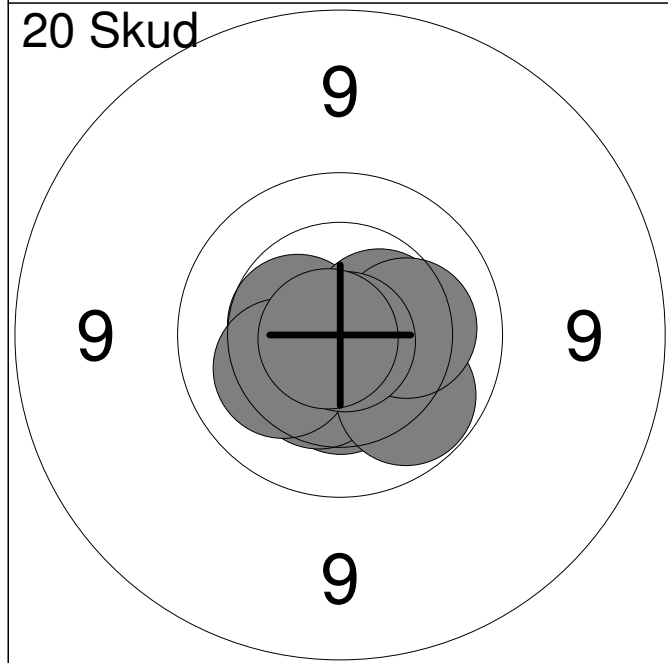
11:	10.8x	↗
12:	10.8x	↓
13:	10.4	↘
14:	10.8x	←
15:	9.8	↘
16:	10.3	←
17:	9.9	↖
18:	10.3	↗
19:	10.8x	↓
20:	10.3	↘
Serie		98.0
Total		197.0



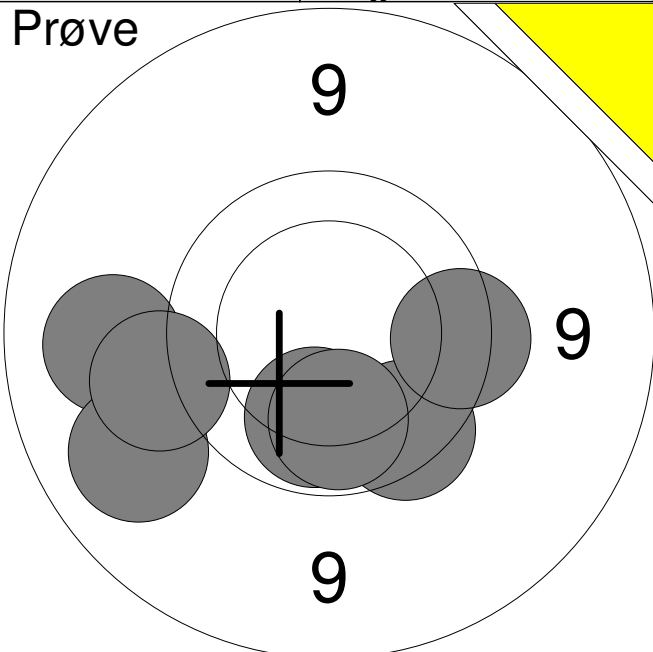
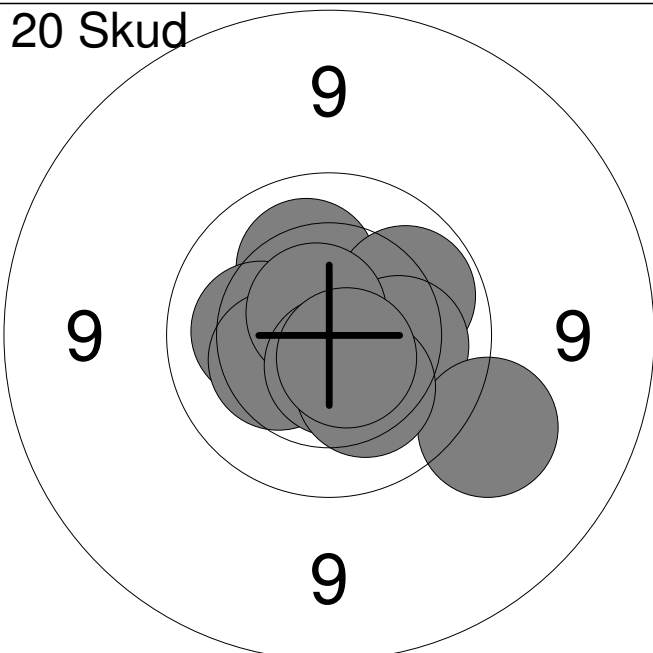
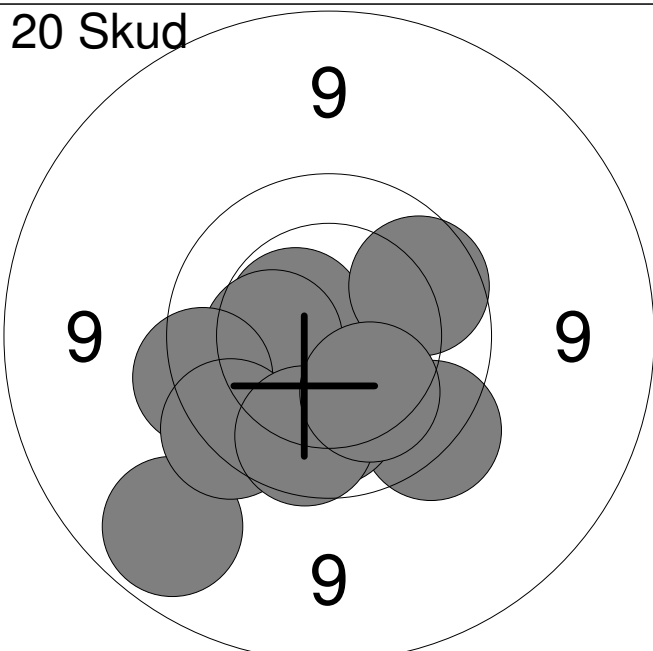
1:	9.9	↗
2:	10.5x	↑
3:	10.2	↘
4:	10.4	→
5:	10.6x	↖
Serie		49.0
Total		0.0



1:	10.7x	↖
2:	10.6x	↑
3:	10.3	→
4:	10.5	↓
5:	10.6x	→
6:	10.6x	↘
7:	10.6x	↙
8:	10.4	↑
9:	10.2	↘
10:	10.8x	→
Serie		100.0
Total		100.0



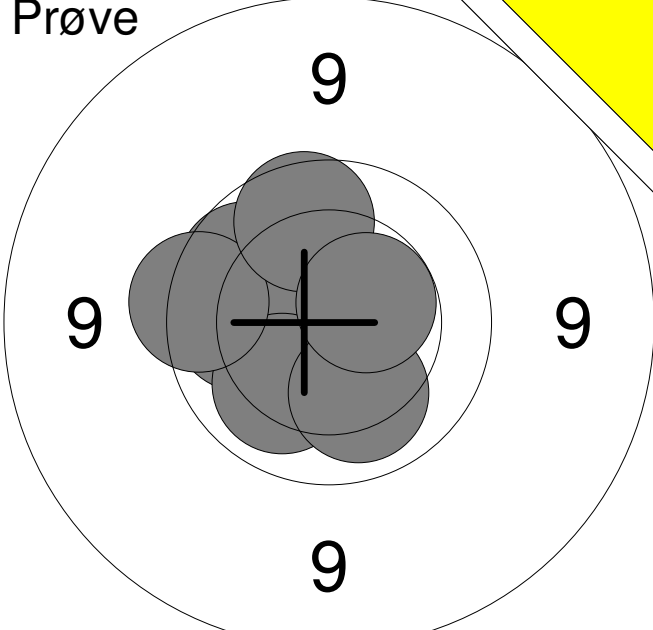
11:	10.4	↓
12:	10.3	↘
13:	10.5	↖
14:	10.5x	→
15:	10.4	↘
16:	10.2	↖
17:	10.0	↘
18:	10.2	→
19:	10.9x	↘
20:	10.8x	↖
Serie		100.0
Total		200.0

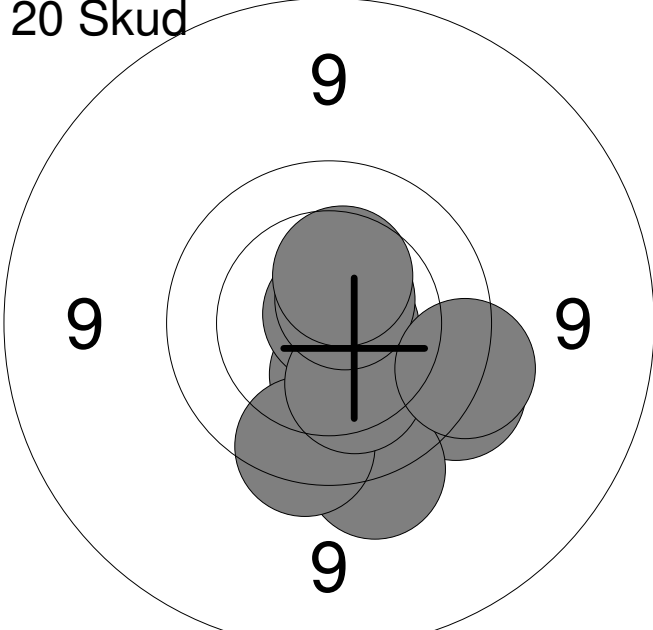
Hold	Skive	Mathias Østenkær	
25	8		
15m	Hjørring Skytteforening	J2	
	Nordjysk Mesterskab Ungdom	Aalborg Skyttekreds	
Prøve		1: 9.2 ←	
		2: 9.1 ↙	
		3: 9.4 ←	
		4: 9.8 ↘	
		5: 9.7 →	
		6: 10.0 ↘	
		7: 10.0 ↘	
	Serie	65.0	
	Total	0.0	
20 Skud		1: 10.2 ↑	
		2: 10.2 ←	
		3: 10.0 →	
		4: 10.2 →	
		5: 10.3 ←	
		6: 10.7x ↗	
		7: 9.4 ↘	
		8: 10.6x ↘	
		9: 10.3 ↘	
		10: 10.6x ↘	
	Serie	99.0	
	Total	99.0	
20 Skud		11: 9.7 ↘	
		12: 10.5x ↗	
		13: 9.0 ↙	
		14: 10.1 ↘	
		15: 10.3 ←	
		16: 9.7 ←	
		17: 9.7 ↙	
		18: 9.9 ↘	
		19: 9.9 ↗	
		20: 10.2 ↘	
	Serie	94.0	
	Total	193.0	

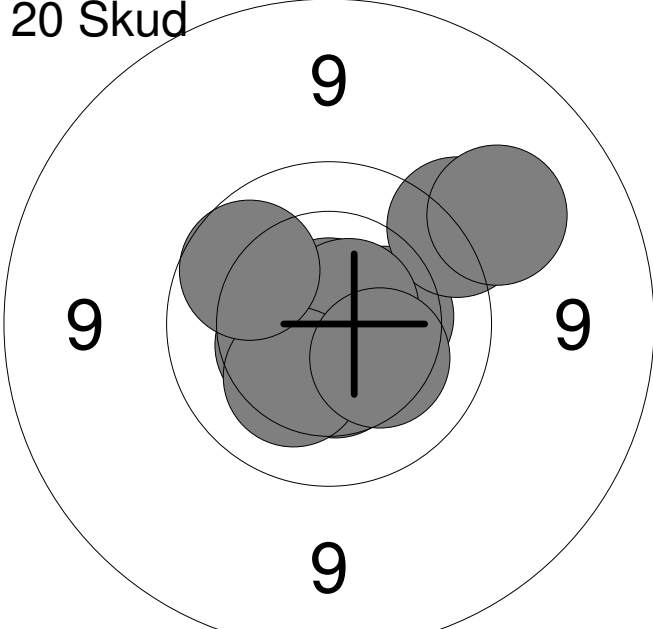
Hold	Skive	Peter Christensen Nguyen	
25	9		

15m	Hjørring Skytteforening	BK3	
-----	-------------------------	-----	--

	Nordjysk Mesterskab Ungdom	Aalborg Skyttekreds	
--	----------------------------	---------------------	--

Prøve 	1:	9.9	↗
	2:	10.0	←
	3:	10.3	↘
	4:	10.3	←
	5:	10.1	↘
	6:	10.1	↘
	7:	9.7	←
	8:	9.9	↑
	9:	10.5x	↗
	Serie		87.0
Total		0.0	

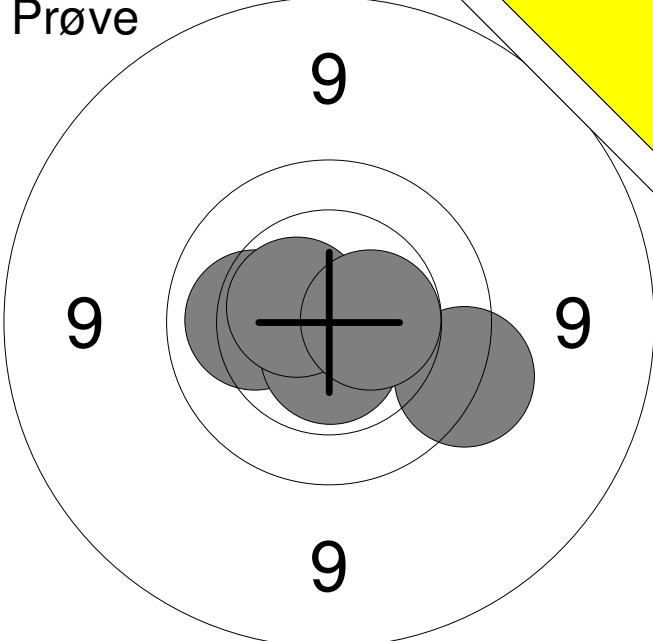
20 Skud 	1:	9.6	↘
	2:	10.4	↘
	3:	10.7x	↗
	4:	9.6	↘
	5:	10.8x	↑
	6:	9.7	↘
	7:	10.2	↘
	8:	10.6x	↗
	9:	9.6	↗
	10:	10.4	↑
Serie		96.0	
Total		96.0	

20 Skud 	11:	10.4	→
	12:	10.5	↘
	13:	10.4	←
	14:	10.8x	↑
	15:	9.5	↗
	16:	9.3	↗
	17:	10.7x	↗
	18:	10.3	↘
	19:	10.3	↘
	20:	9.9	↗
Serie		97.0	
Total		193.0	

Hold 25	Skive 10	Morten Lindberg Larsen	
-------------------	--------------------	-------------------------------	--

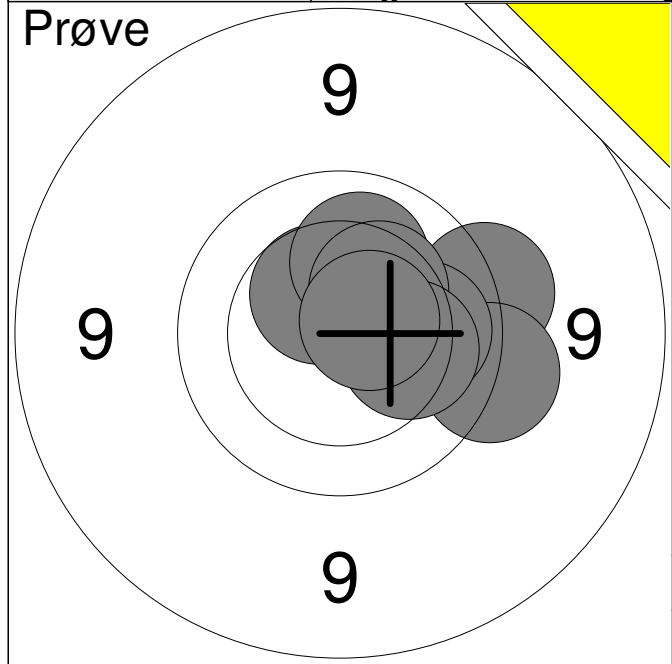
15m	Hjørring Skytteforening	BK1
-----	-------------------------	-----

	Nordjysk Mesterskab Ungdom	Aalborg Skyttekreds
--	----------------------------	---------------------

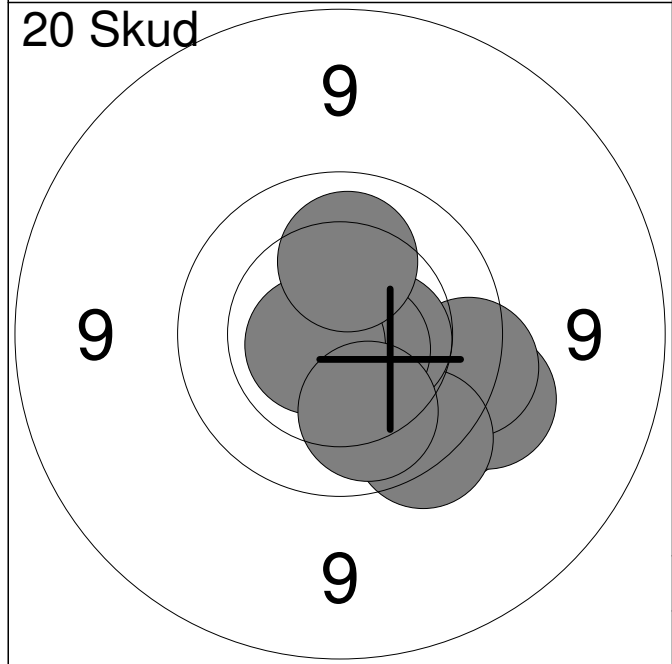
Prøve 	1: 10.1	←
	2: 10.6x	↓
	3: 10.6x	↗
	4: 9.6	↘
	5: 10.5x	→
	Serie	49.0
Total	0.0	

20 Skud 	1: 10.5x	→
	2: 10.6x	←
	3: 9.8	←
	4: 9.3	←
	5: 9.8	↓
	6: 10.2	←
	7: 10.7x	↓
	8: 10.6x	↓
	9: 10.3	↓
	10: 10.4	↙
	Serie	97.0
Total	97.0	

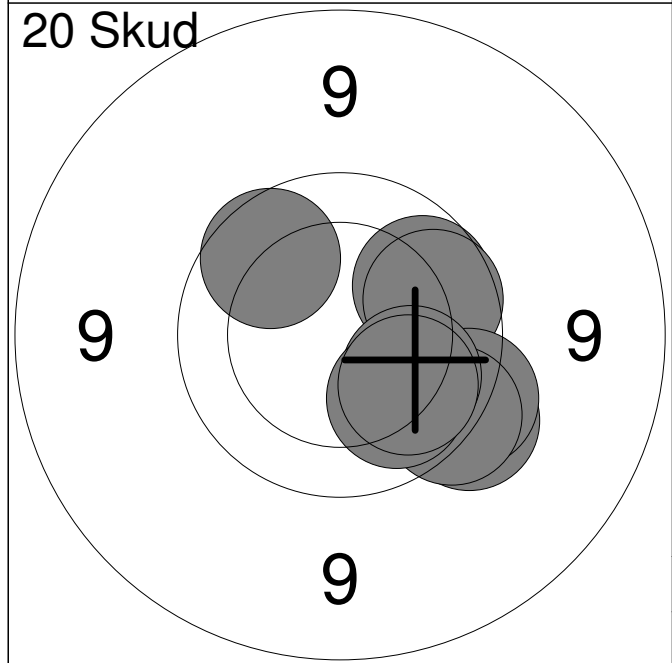
20 Skud 	11: 10.7x	↖
	12: 9.3	↓
	13: 10.7x	→
	14: 10.2	↙
	15: 10.6x	↖
	16: 10.2	↓
	17: 10.8x	←
	18: 9.9	←
	19: 10.5x	↓
	20: 10.6x	↓
	Serie	98.0
Total	195.0	



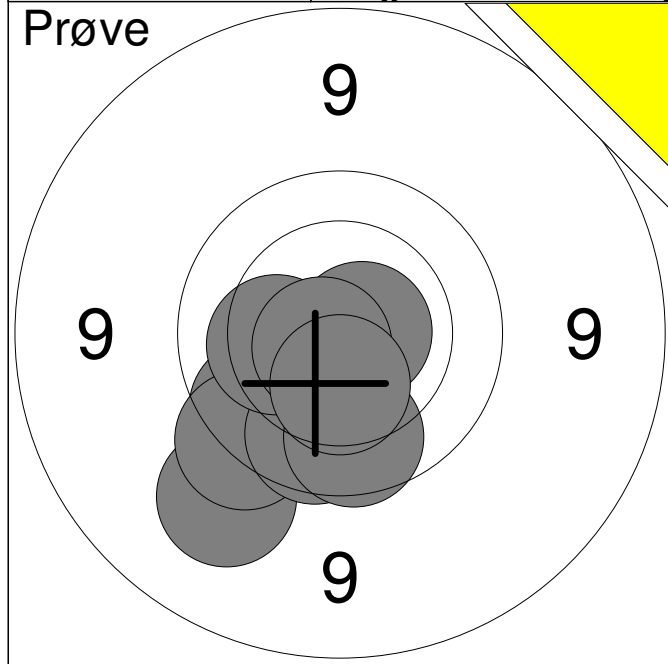
1:	9.6	→
2:	10.5	↗
3:	10.2	↑
4:	9.6	→
5:	10.1	→
6:	10.3	↗
7:	10.2	→
8:	10.6x	→
Serie		78.0
Total		0.0



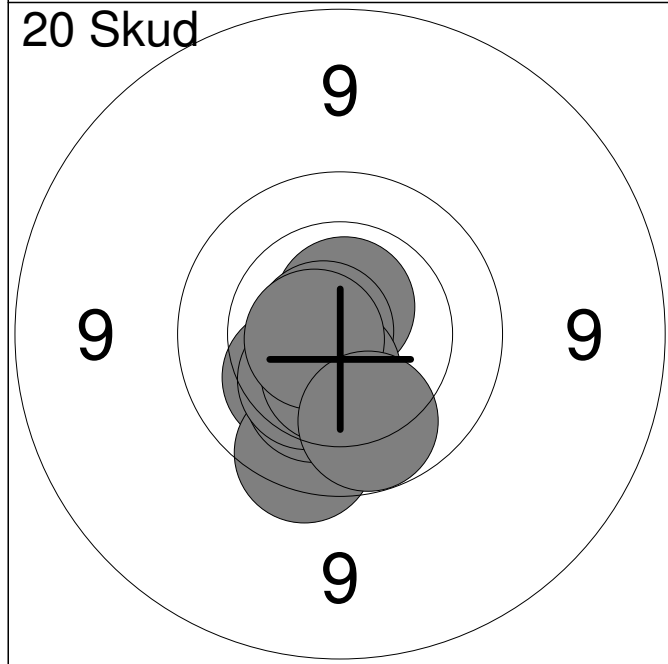
1:	9.7	↘
2:	9.5	↘
3:	10.6x	↘
4:	9.7	→
5:	9.7	↘
6:	10.5x	→
7:	10.7x	↘
8:	10.7x	↖
9:	10.1	↘
10:	10.2	↑
Serie		96.0
Total		96.0



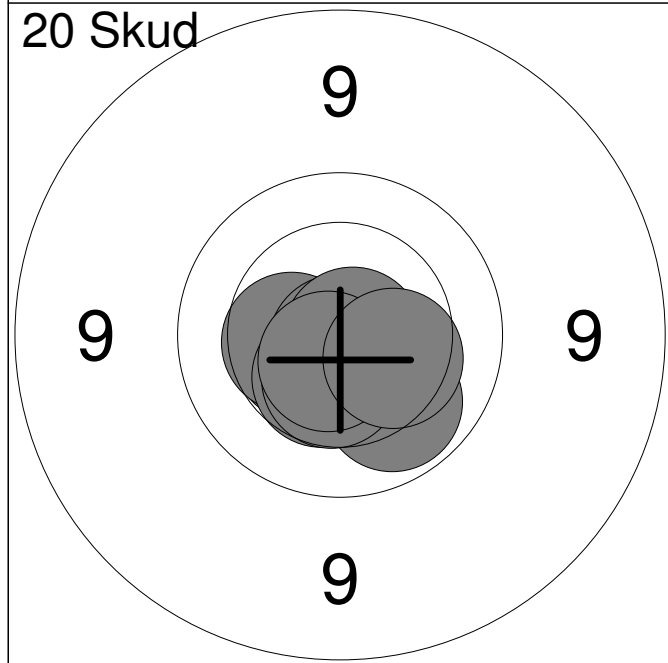
11:	9.9	↗
12:	9.9	→
13:	9.6	↘
14:	9.9	→
15:	9.9	↗
16:	9.6	↘
17:	9.7	↘
18:	10.1	↘
19:	10.0	↘
20:	10.0	↘
Serie		93.0
Total		189.0



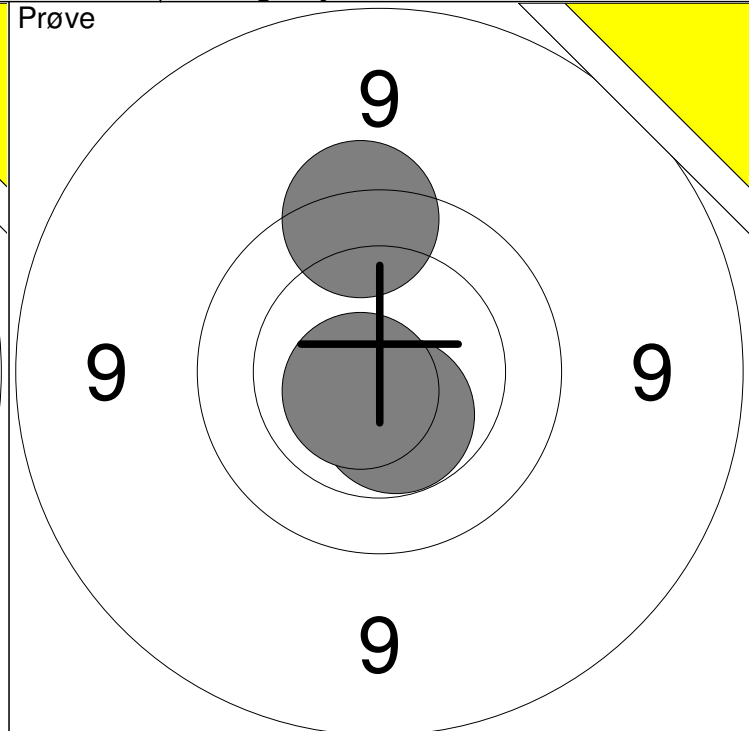
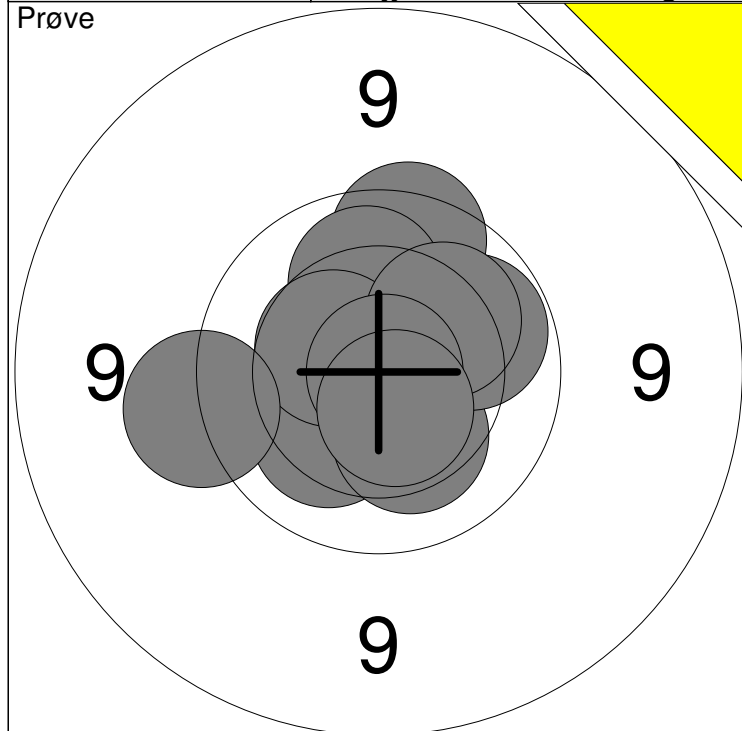
1:	9.3	↙
2:	9.8	↙
3:	9.6	↙
4:	10.7x	→
5:	9.9	↘
6:	10.6x	↙
7:	9.9	↘
8:	10.2	←
9:	10.7x	↙
10:	10.4	↓
Serie		95.0
Total		0.0



1:	10.4	↘
2:	10.6x	↑
3:	10.3	↙
4:	9.8	↘
5:	10.3	↘
6:	10.3	↙
7:	10.8x	←
8:	10.5x	↘
9:	10.7x	←
10:	10.0	↓
Serie		99.0
Total		99.0

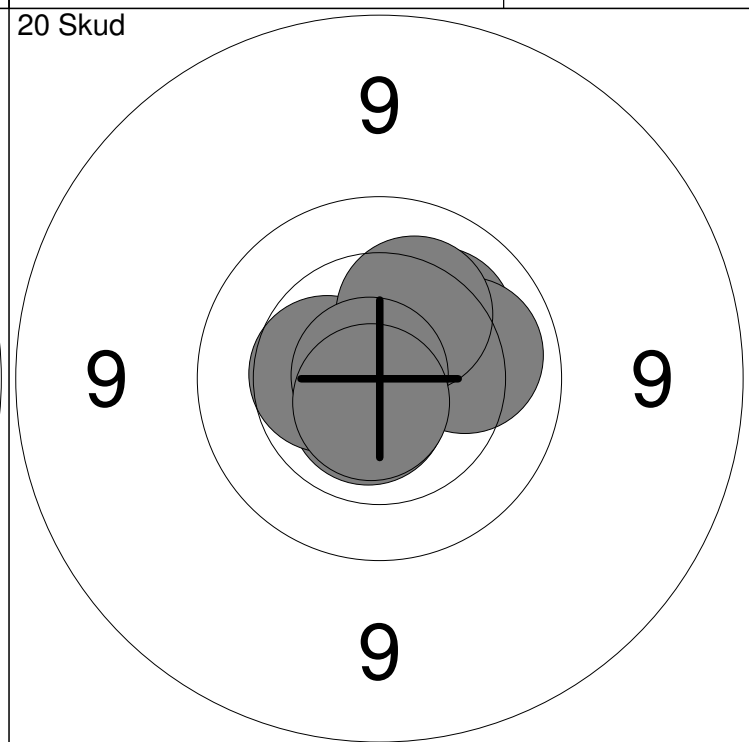
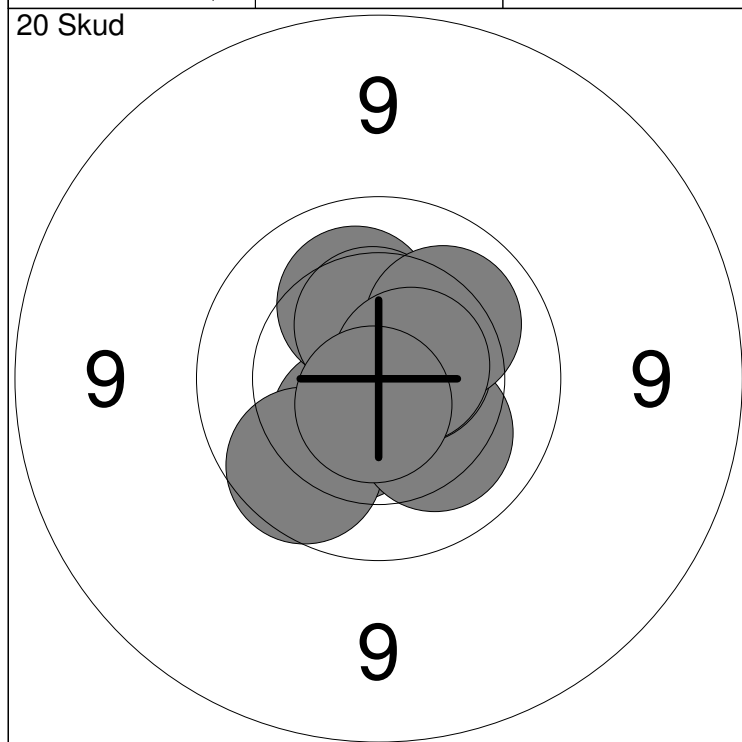


11:	10.5x	←
12:	10.5	↘
13:	10.4	←
14:	10.5	↘
15:	10.0	↘
16:	10.8x	↘
17:	10.8x	→
18:	10.5	↘
19:	10.6x	↘
20:	10.3	↘
Serie		100.0
Total		199.0



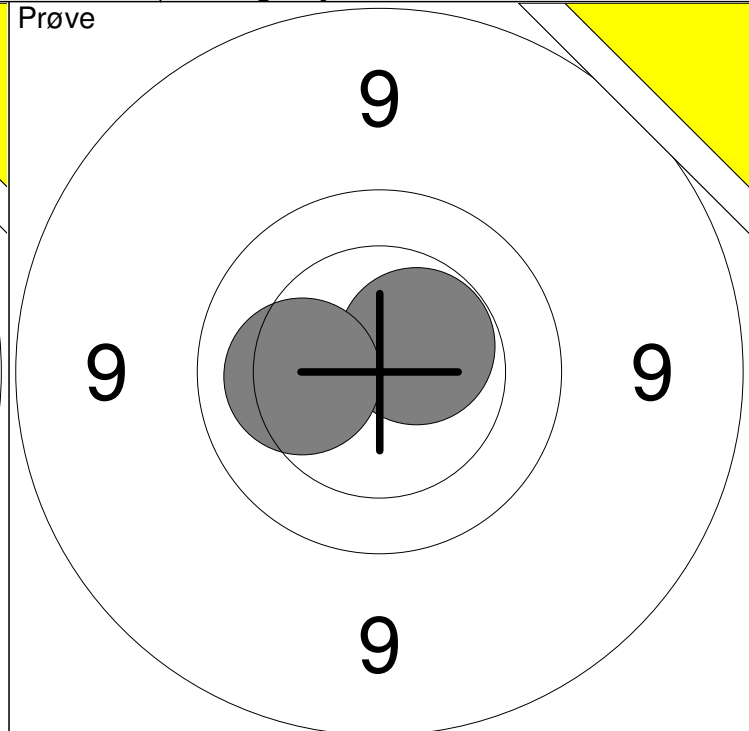
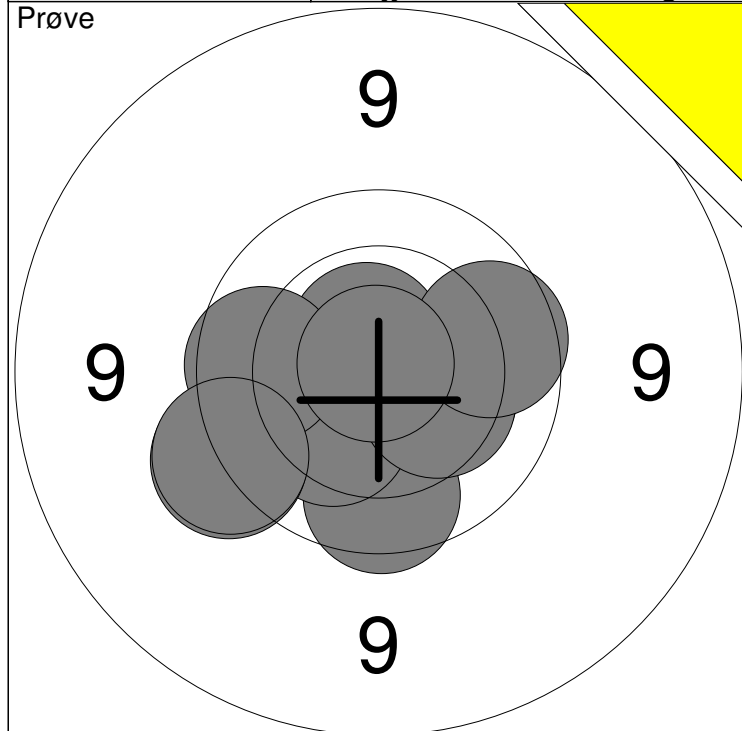
1: 10.2 ↙	6: 10.5 ↖	Serie	98
2: 10.3 ↓	7: 10.2 ↗		
3: 9.8 ↑	8: 9.5 ←	Total	0
4: 10.0 ↗	9: 10.9x →		
5: 10.1 ↑	10: 10.6x ↓		

11: 9.7 ↑	Serie	29
12: 10.5x ↓		
13: 10.7x ↙	Total	0



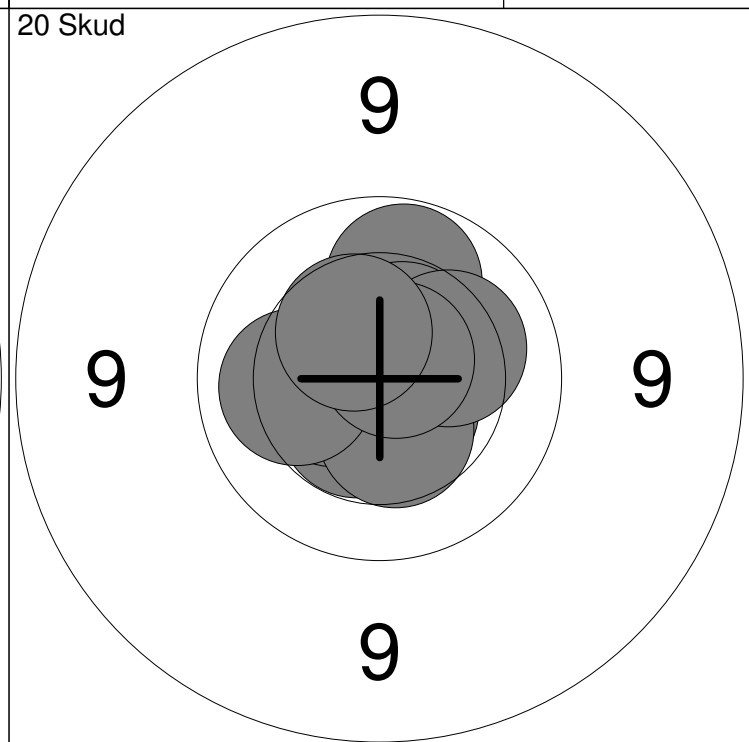
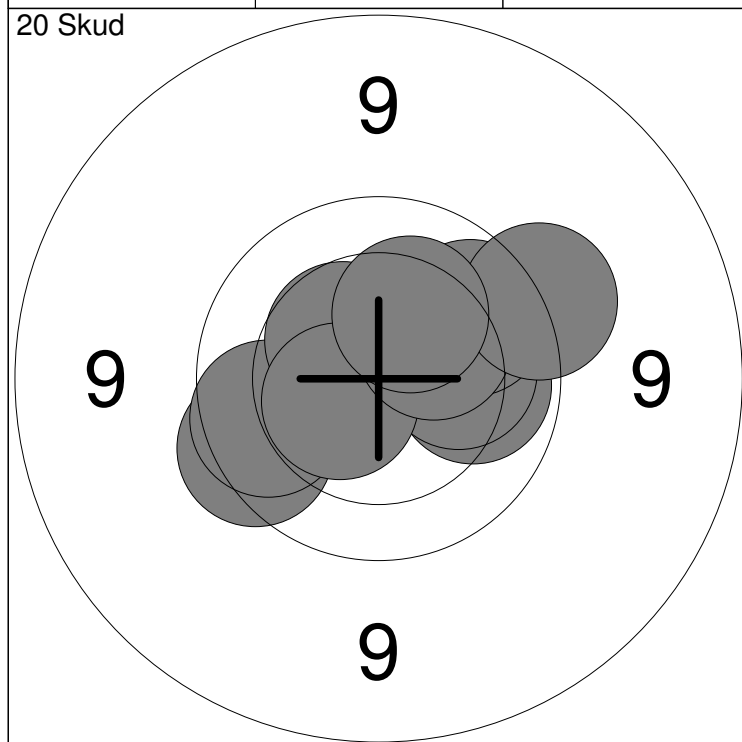
1: 10.4 ↙	6: 10.2 ↓	Serie	99
2: 10.7x →	7: 10.6x →		
3: 10.2 ↑	8: 10.1 ↗	Total	99
4: 10.4 ↑	9: 10.6x →		
5: 9.9 ↙	10: 10.7x ↓		

11: 10.2 ↗	16: 10.8x ←	Serie	100
12: 10.4 ↗	17: 10.4 ←		
13: 10.1 →	18: 10.2 ↑	Total	199
14: 10.8x ↖	19: 10.8x ←		
15: 10.7x ↓	20: 10.7x ↓		



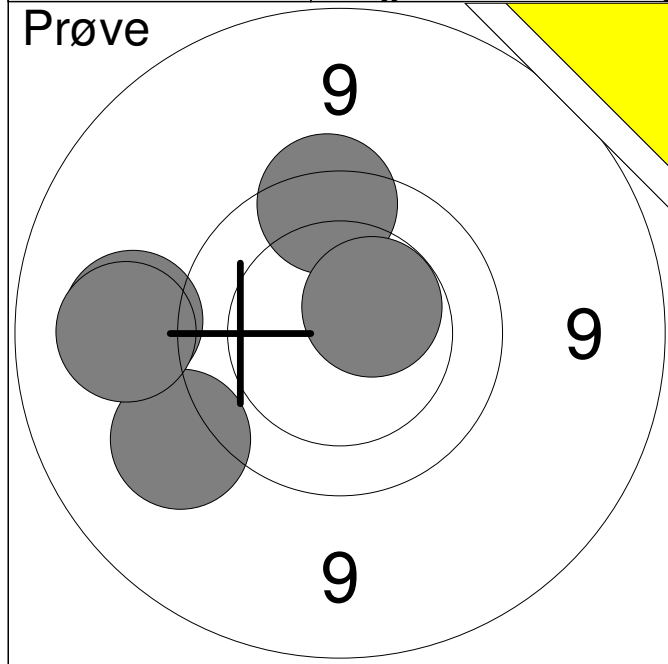
1: 9.8 ↓	6: 9.6 ↙	Serie	95
2: 10.3 ↙	7: 9.9 ←		
3: 10.3 →	8: 9.9 →	Total	0
4: 10.3 →	9: 10.9x ↗		
5: 10.6x ↗	10: 9.6 ↙		

11: 10.5x ↗	Serie	20
12: 10.2 ←		
Total		0

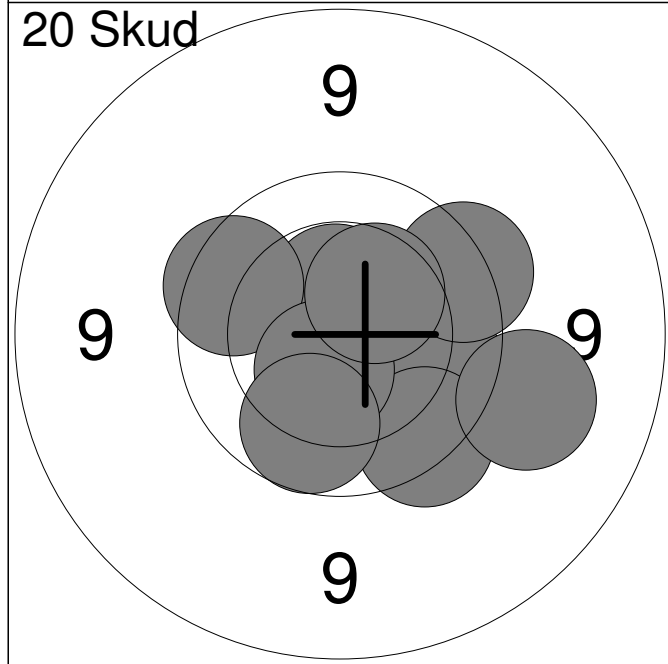


1: 9.7 ↙	6: 9.9 ↗	Serie	96
2: 9.9 ←	7: 10.5x ↙		
3: 10.0 →	8: 10.3 ↗	Total	96
4: 10.4 ↗	9: 9.5 ↗		
5: 10.2 →	10: 10.3 ↗		

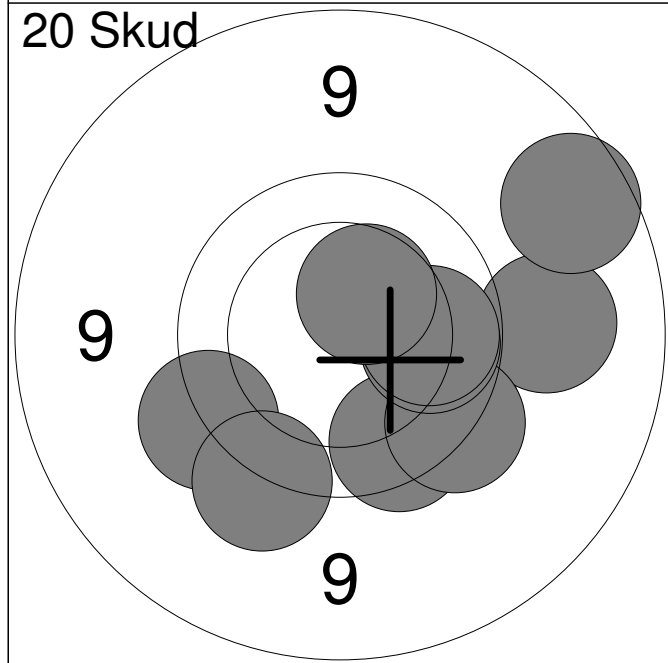
11: 10.0 ↗	16: 10.4 ↓	Serie	100
12: 10.5x ↗	17: 10.1 ←		
13: 10.5x ↙	18: 10.2 →	Total	196
14: 10.6x ↙	19: 10.7x ↗		
15: 10.5x ←	20: 10.4 ↗		



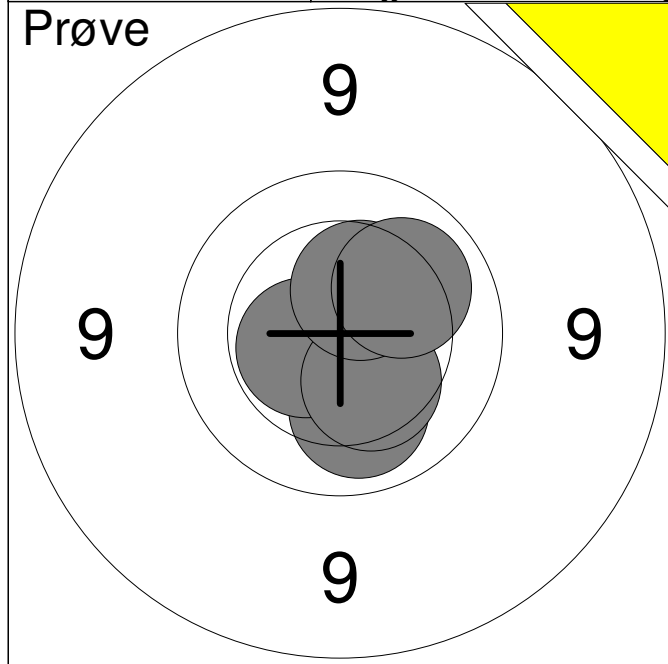
1:	9.3	↙
2:	9.2	←
3:	9.2	←
4:	9.7	↑
5:	10.5x	↗
Serie		46.0
Total		0.0



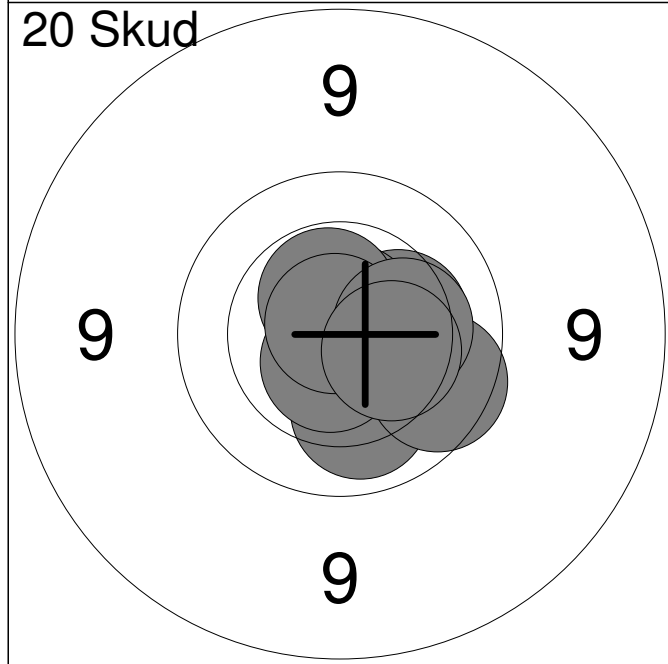
1:	10.7x	↗
2:	10.5x	↑
3:	9.9	→
4:	9.7	↘
5:	9.7	↗
6:	9.8	↖
7:	10.5x	↘
8:	9.9	↘
9:	10.4	↗
10:	9.3	→
Serie		94.0
Total		94.0



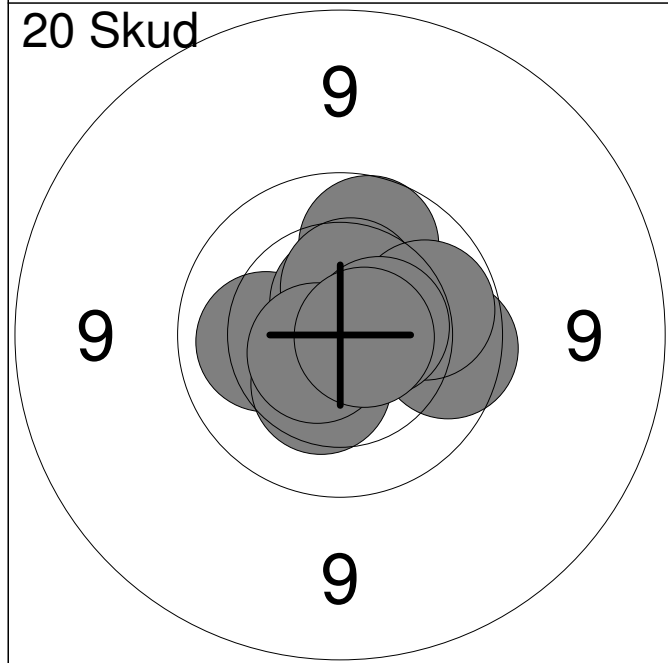
11:	9.7	↘
12:	9.8	↘
13:	9.2	→
14:	9.6	↘
15:	10.0	→
16:	9.6	↖
17:	8.9	↗
18:	10.0	→
19:	9.5	↘
20:	10.4	↗
Serie		92.0
Total		186.0



1:	10.1	↓
2:	10.5x	↙
3:	10.3	↓
4:	10.4	↑
5:	10.1	↗
Serie		50.0
Total		0.0



1:	10.1	↓
2:	10.3	→
3:	10.3	→
4:	9.9	↘
5:	10.7x	↑
6:	10.5x	↑
7:	10.6x	↓
8:	10.8x	↑
9:	10.3	→
10:	10.4	→
Serie		99.0
Total		99.0

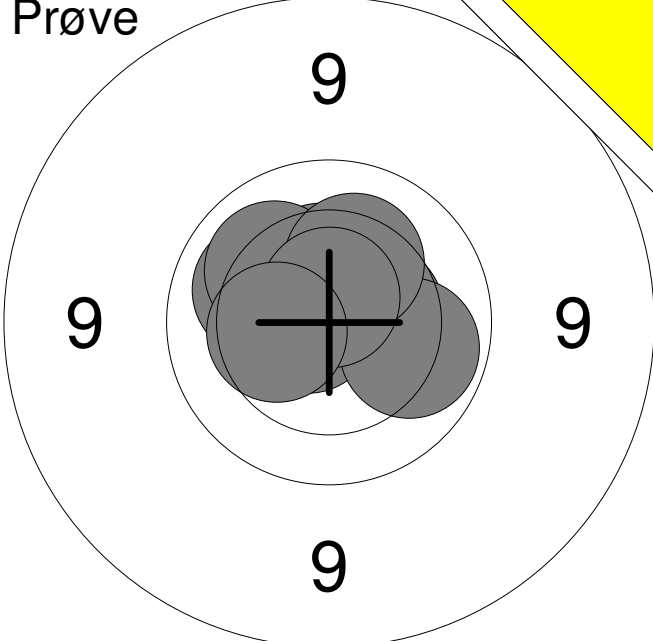


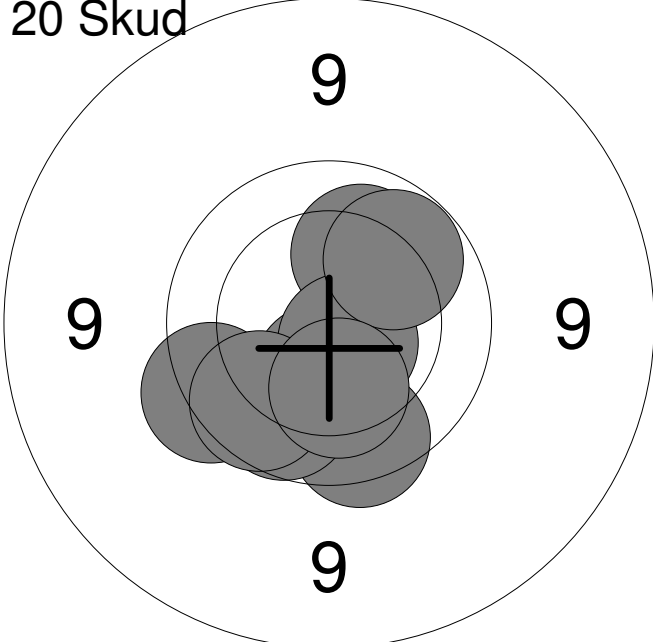
11:	9.8	→
12:	9.9	↑
13:	10.1	←
14:	10.4	↓
15:	10.6x	↑
16:	10.4	↑
17:	10.0	→
18:	10.5x	→
19:	10.6x	↙
20:	10.7x	→
Serie		98.0
Total		197.0

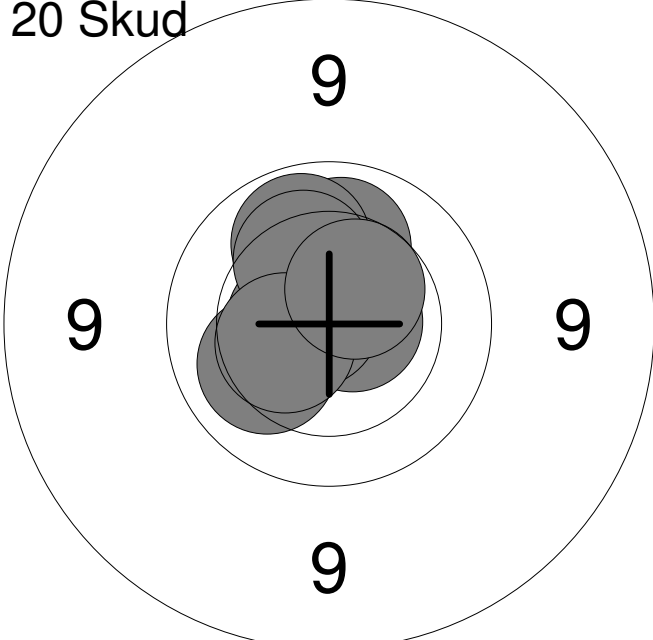
Hold 26	Skive 10	Lucas Heby Pedersen	
-------------------	--------------------	----------------------------	--

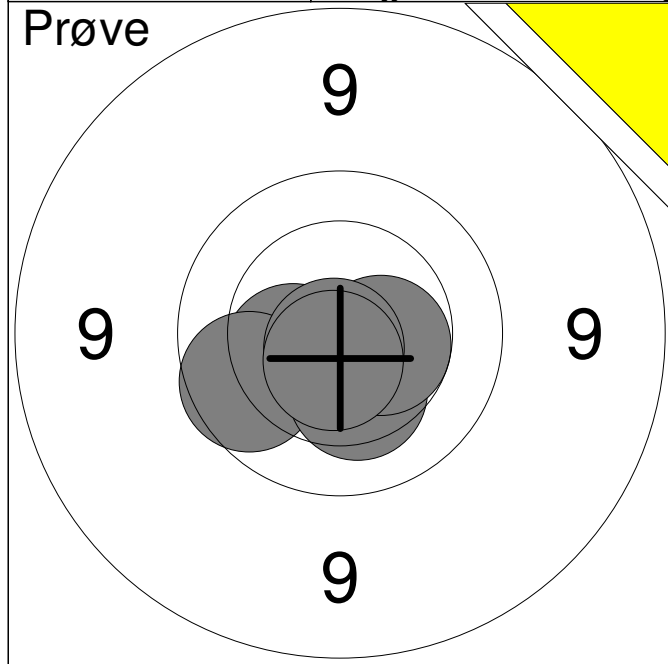
15m	Aalborg Skyttekreds	BK1	
-----	---------------------	-----	--

	Nordjysk Mesterskab Ungdom	Aalborg Skyttekreds	
--	----------------------------	---------------------	--

Prøve 	1:	10.4	↖
	2:	10.5	→
	3:	10.2	↗
	4:	10.4	↑
	5:	10.1	↗
	6:	10.7x	↖
	7:	10.0	→
	8:	10.3	↑
	9:	10.7x	↑
	10:	10.4	↖
	Serie		100.0
Total		0.0	

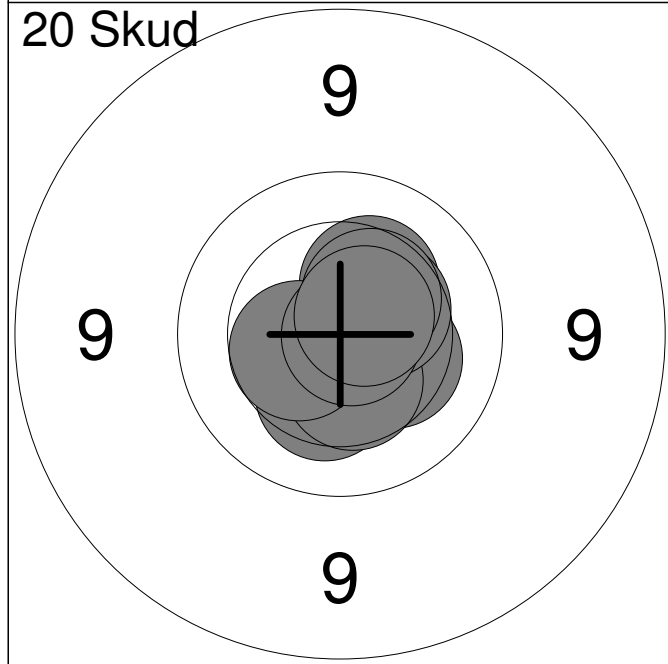
20 Skud 	1:	9.8	↓
	2:	10.4	↓
	3:	10.3	↓
	4:	9.9	↙
	5:	10.1	↑
	6:	10.7x	↘
	7:	10.0	↗
	8:	9.7	↖
	9:	9.9	↙
	10:	10.2	↓
	Serie		96.0
Total		96.0	

20 Skud 	11:	10.1	↖
	12:	10.1	↑
	13:	10.7x	→
	14:	10.6x	↖
	15:	10.7x	↗
	16:	10.0	↑
	17:	10.7x	↖
	18:	10.2	↑
	19:	10.4	↖
	20:	10.5	↗
	Serie		100.0
Total		196.0	



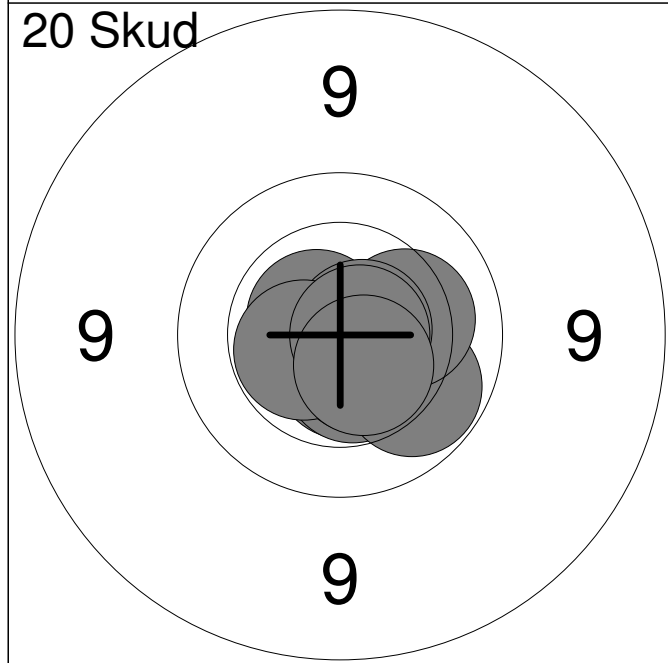
1:	10.4	↙
2:	9.9	↙
3:	10.3	↓
4:	10.5x	→
5:	10.8x	↓
6:	10.6x	↓

Serie	59.0
Total	0.0



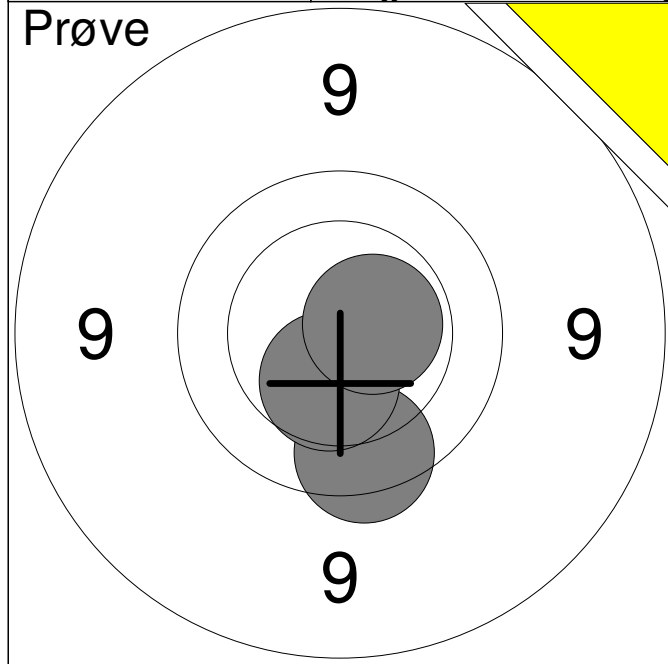
1:	10.7x	↓
2:	10.3	↓
3:	10.3	↗
4:	10.3	→
5:	10.4	↓
6:	10.4	↗
7:	10.5	↙
8:	10.4	↗
9:	10.8x	→
10:	10.6x	↗

Serie	100.0
Total	100.0

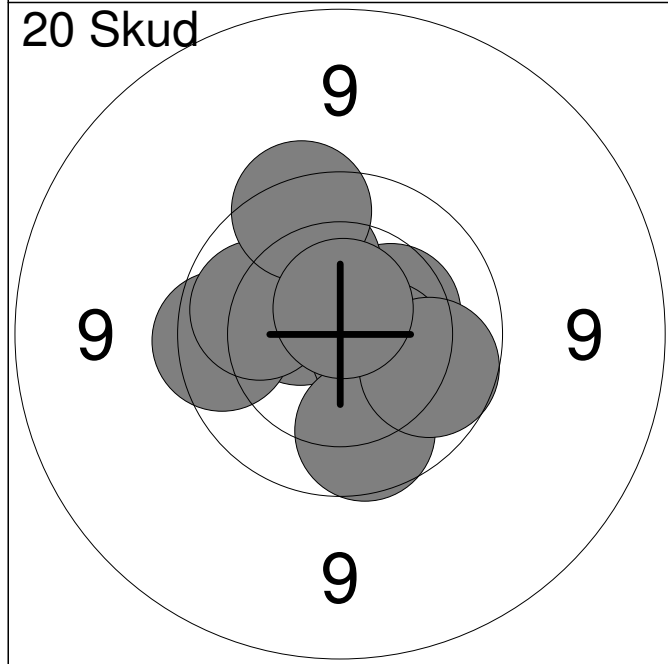


11:	10.6x	↓
12:	10.5x	↓
13:	10.0	↓
14:	10.2	→
15:	10.6x	↓
16:	10.6x	↗
17:	10.7x	→
18:	10.5x	↙
19:	10.7x	→
20:	10.5x	↓

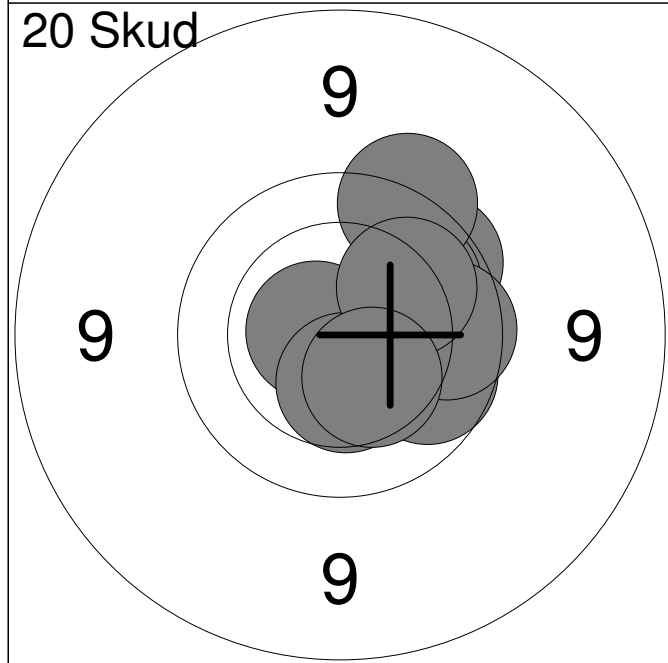
Serie	100.0
Total	200.0



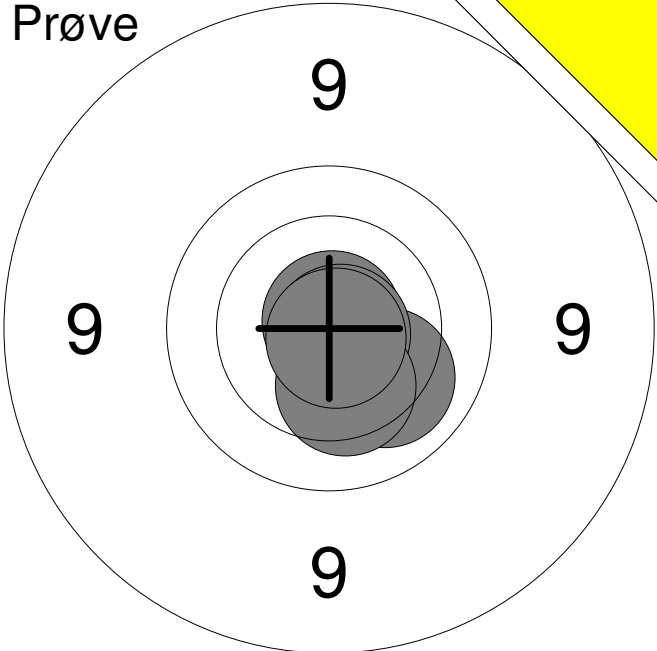
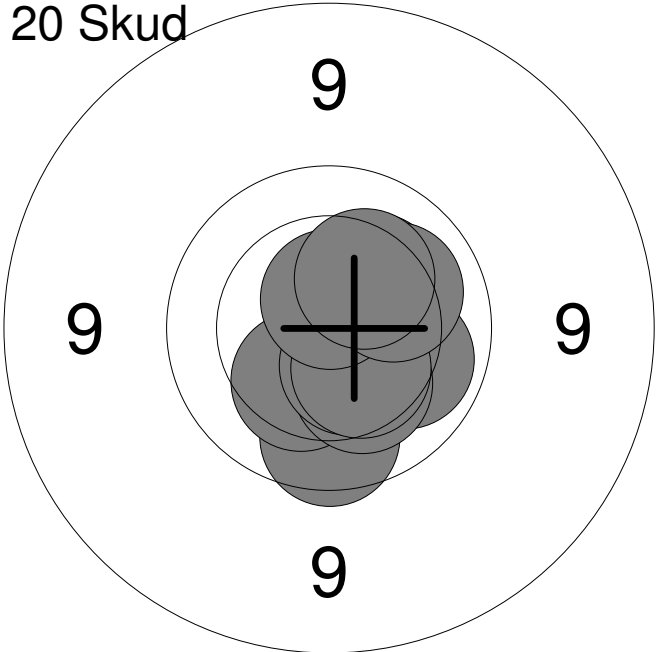
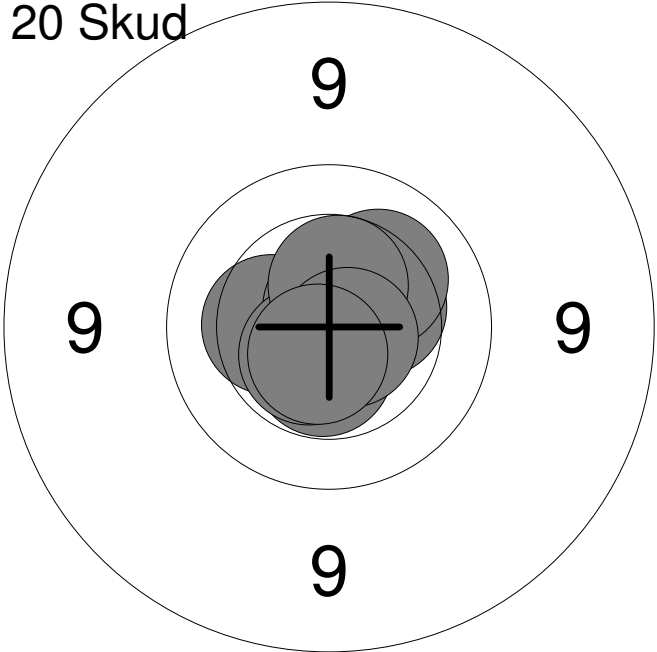
1:	9.8	↓
2:	10.4	↓
3:	10.6x	→
Serie		29.0
Total		0.0

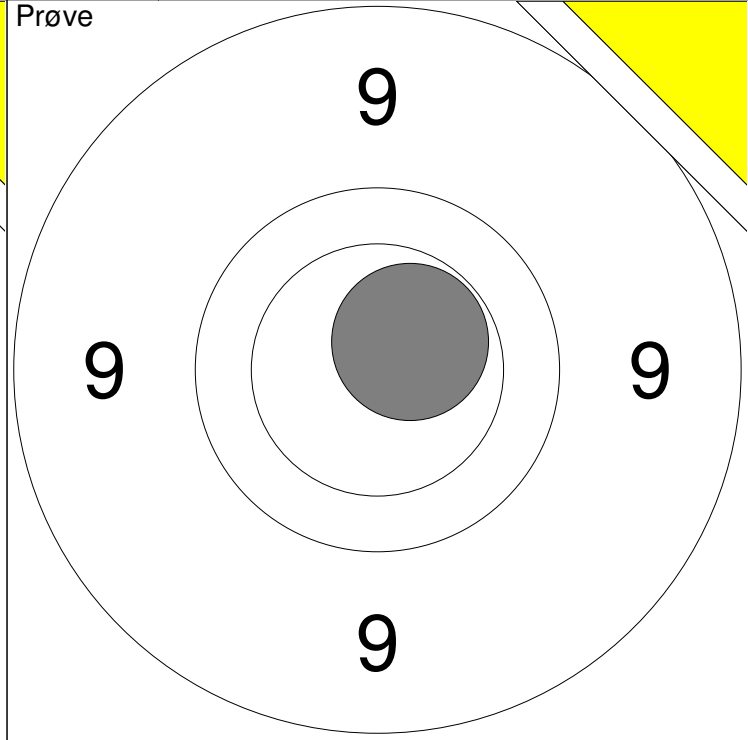
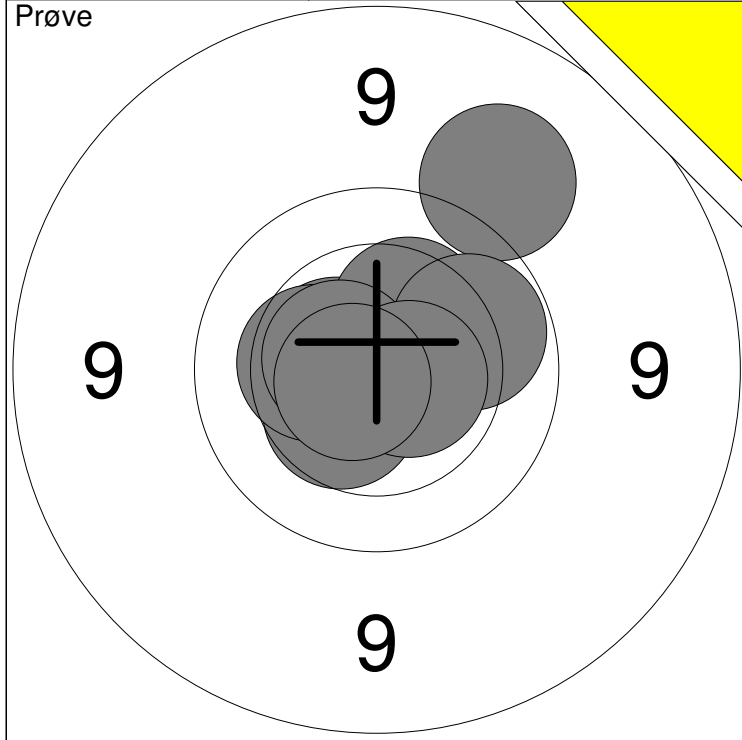


1:	10.4	→
2:	10.2	↑
3:	10.5	↗
4:	10.5	→
5:	9.9	↓
6:	9.8	←
7:	10.0	↖
8:	9.7	↑
9:	9.9	→
10:	10.7x	↑
Serie		96.0
Total		96.0



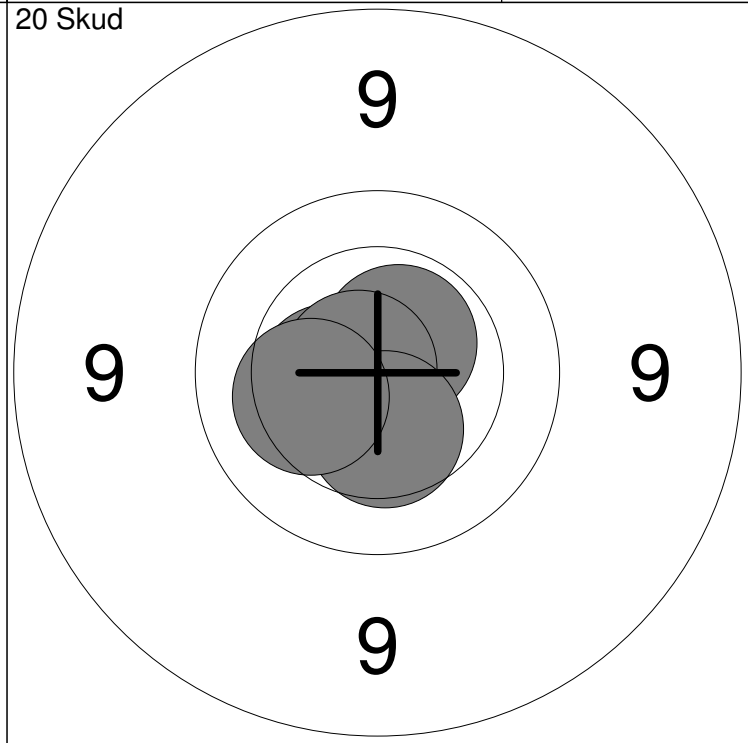
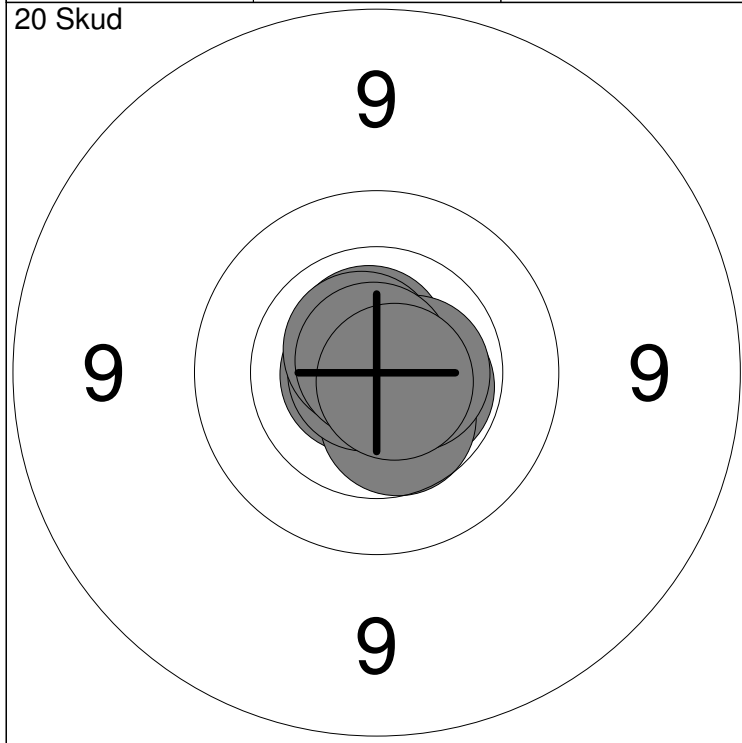
11:	10.7x	←
12:	10.4	↓
13:	10.1	→
14:	9.8	↗
15:	10.0	↗
16:	9.6	↑
17:	9.9	→
18:	9.9	→
19:	10.1	↗
20:	10.4	↓
Serie		96.0
Total		192.0

Hold	Skive	Frederik Rubæk	
27	1		
15m	Skf. Kimbrene		MB1
	Nordjysk Mesterskab Ungdom	Aalborg Skyttekreds	
Prøve		1: 10.9x	↗
		2: 10.1	↘
		3: 10.8x	↘
		4: 10.3	↘
		5: 10.8x	↘
		Serie	50.0
		Total	0.0
20 Skud		1: 9.9	↘
		2: 10.1	→
		3: 10.3	↘
		4: 10.3	↘
		5: 10.3	↗
		6: 10.5	↘
		7: 10.4	↘
		8: 10.6x	↑
		9: 10.2	→
		10: 10.3	↗
		Serie	99.0
		Total	99.0
20 Skud		11: 10.6x	←
		12: 10.3	←
		13: 10.4	→
		14: 10.2	↗
		15: 10.5x	↘
		16: 10.8x	↑
		17: 10.6x	↘
		18: 10.5	↑
		19: 10.7x	↘
		20: 10.6x	↘
		Serie	100.0
		Total	199.0



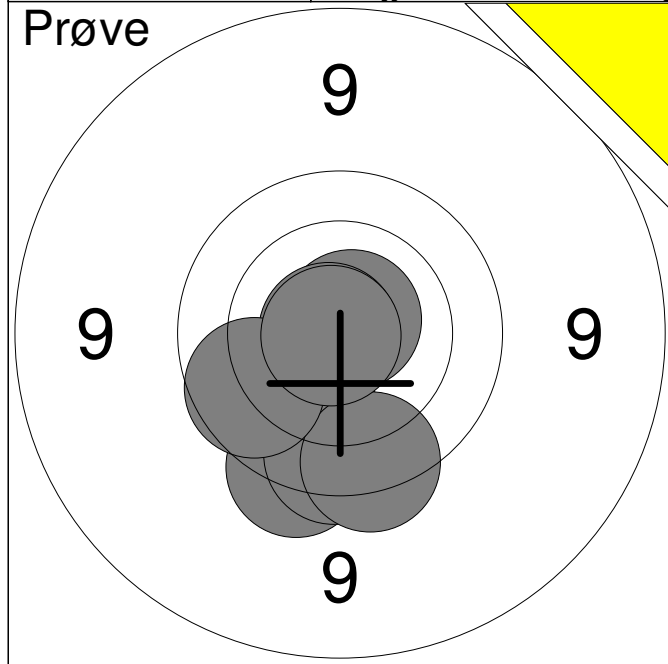
1: 9.3 ↗	6: 10.4 ←	Serie	99
2: 10.4 ↗	7: 10.0 →		
3: 10.5x ←	8: 10.6x ←	Total	0
4: 10.4 ↘	9: 10.6x →		
5: 10.3 ↗	10: 10.7x ←		

11: 10.5x ↗	Serie	10
Total		0



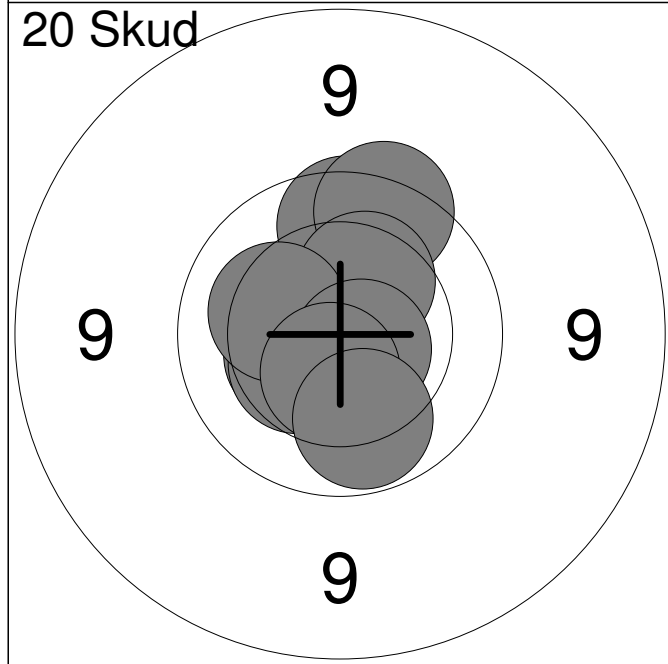
1: 10.9x ↓	6: 10.8x ←	Serie	100
2: 10.5x →	7: 10.7x ↗		
3: 10.7x ↗	8: 10.6x →	Total	100
4: 10.8x ←	9: 10.8x ↗		
5: 10.5 ↓	10: 10.8x ↘		

11: 10.8x ↓	16: 10.8x ↓	Serie	100
12: 10.9x ↓	17: 10.6x ↗		
13: 10.5 ←	18: 10.8x ←	Total	200
14: 10.5x ←	19: 10.4 ↓		
15: 10.6x ↘	20: 10.3 ←		



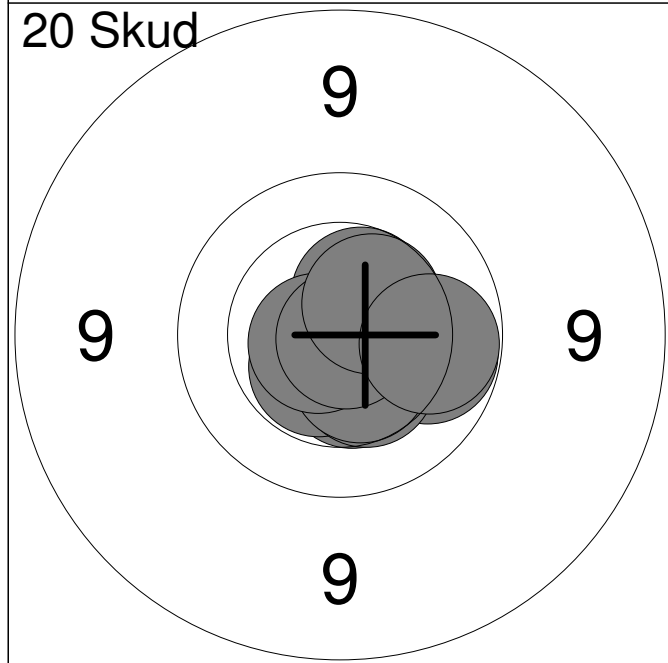
1:	10.0	↘
2:	9.7	↘
3:	9.8	↘
4:	9.7	↘
5:	10.8x	↗
6:	10.8x	←
7:	9.9	↙
8:	10.9x	←

Serie	76.0
Total	0.0



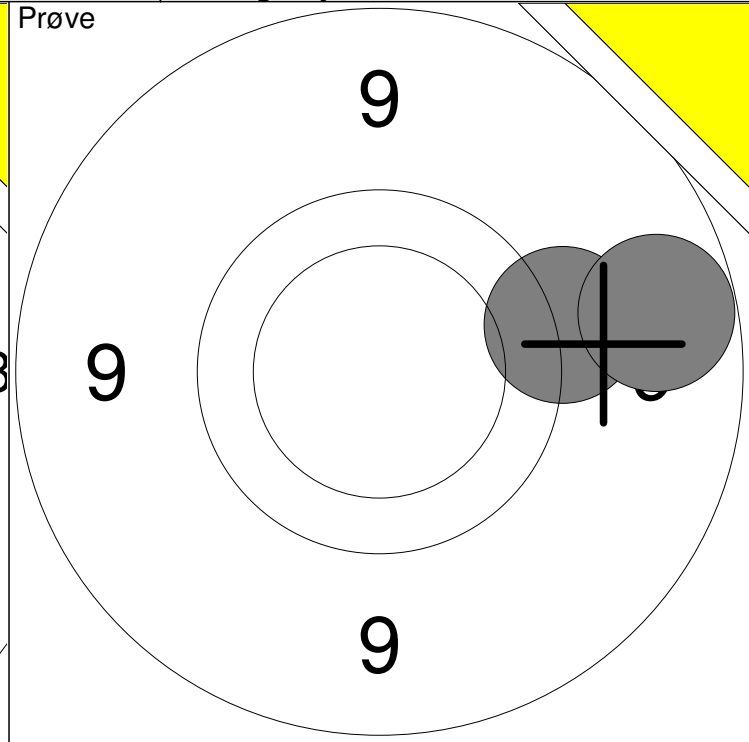
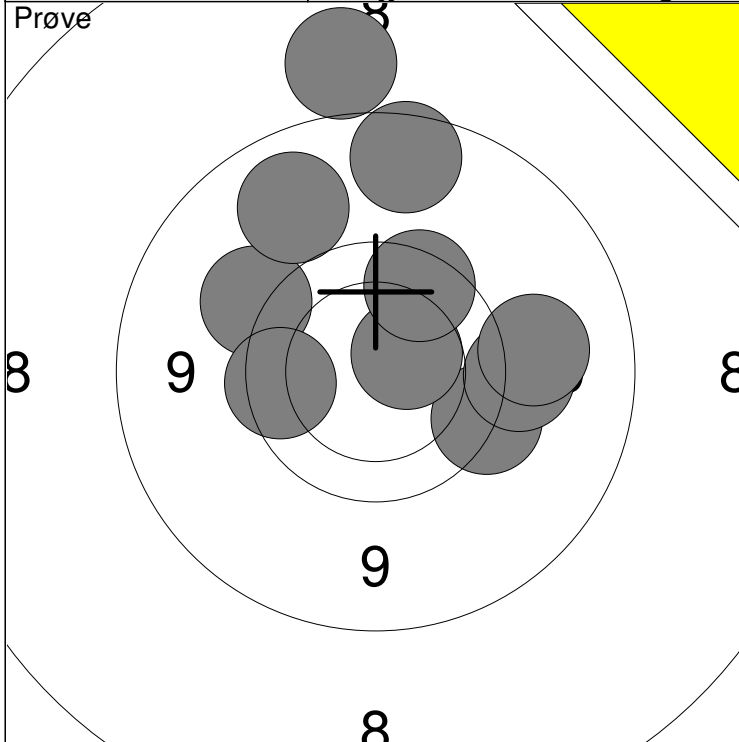
1:	10.8x	→
2:	10.4	←
3:	10.4	←
4:	9.9	↑
5:	9.7	↑
6:	10.3	↗
7:	10.2	←
8:	10.7x	↘
9:	10.5x	↘
10:	10.0	↘

Serie	98.0
Total	98.0



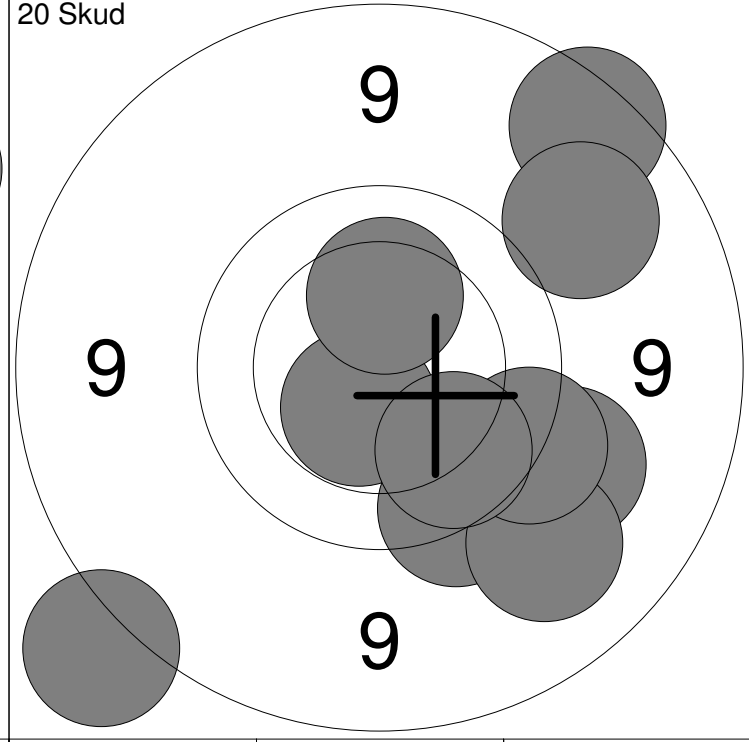
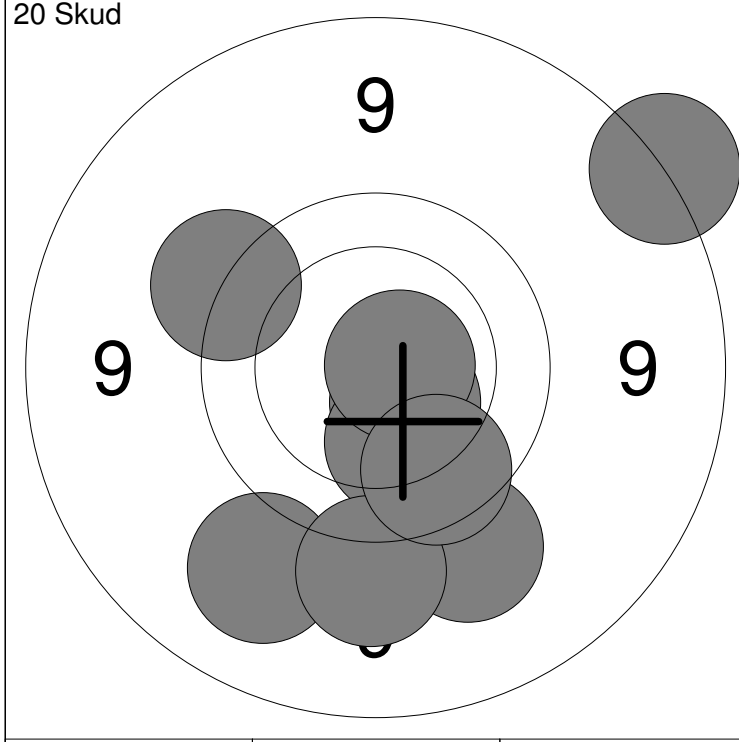
11:	10.0	→
12:	10.5	↘
13:	10.5x	↘
14:	10.5	↗
15:	10.4	↘
16:	10.5	↘
17:	10.7x	←
18:	10.9x	↘
19:	10.5	↗
20:	10.0	→

Serie	100.0
Total	198.0



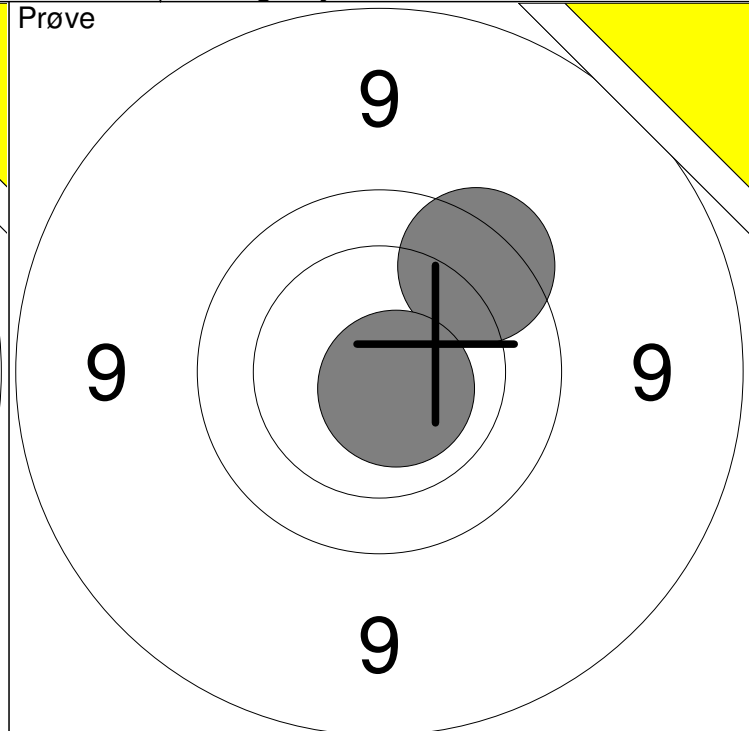
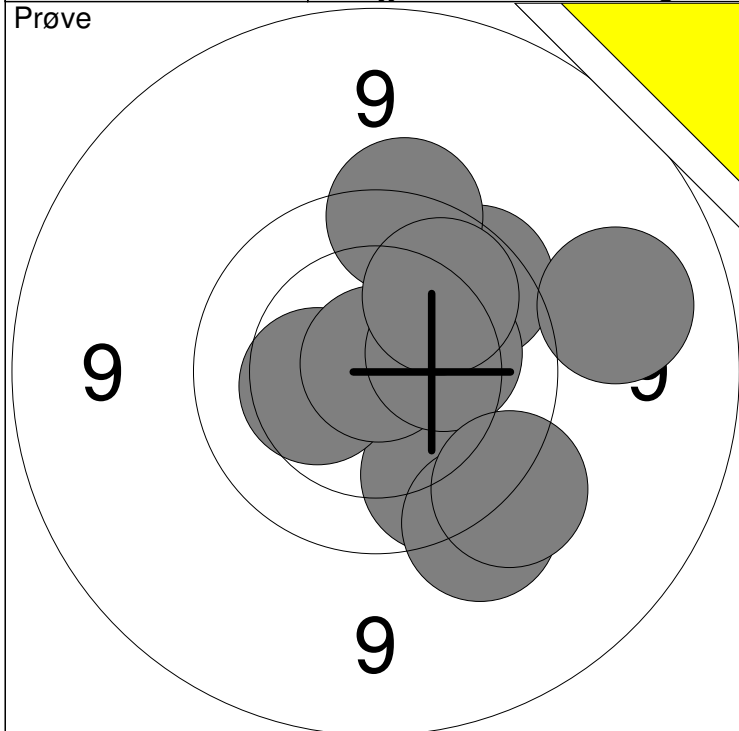
1: 9.6 →	6: 9.1 ↗	Serie	89
2: 9.5 ↖	7: 9.4 →		
3: 10.5 ↗	8: 9.8 ↗	Total	0
4: 8.4 ↑	9: 9.3 →		
5: 8.9 ↑	10: 9.8 ←		

11: 9.5 →	Serie	18
12: 9.0 →		
Total		0



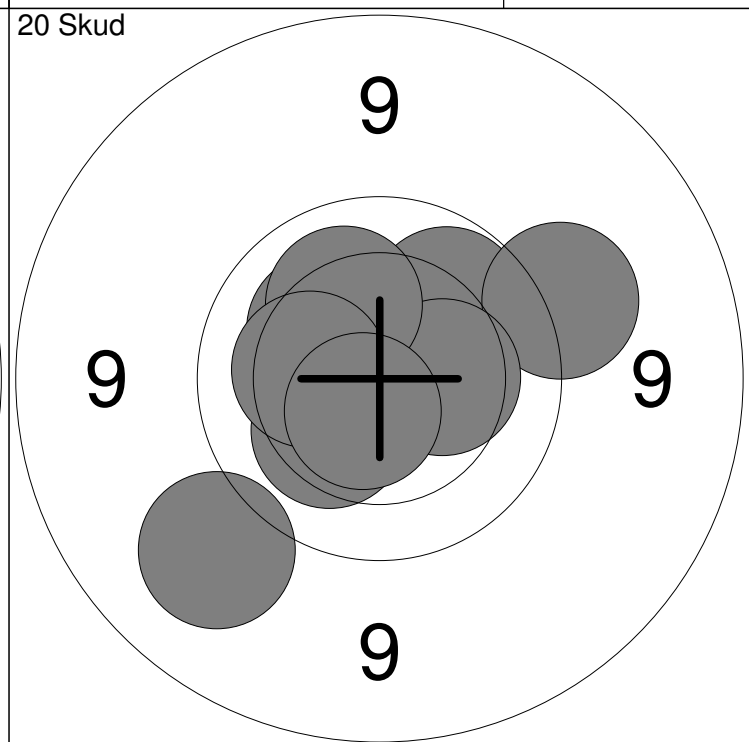
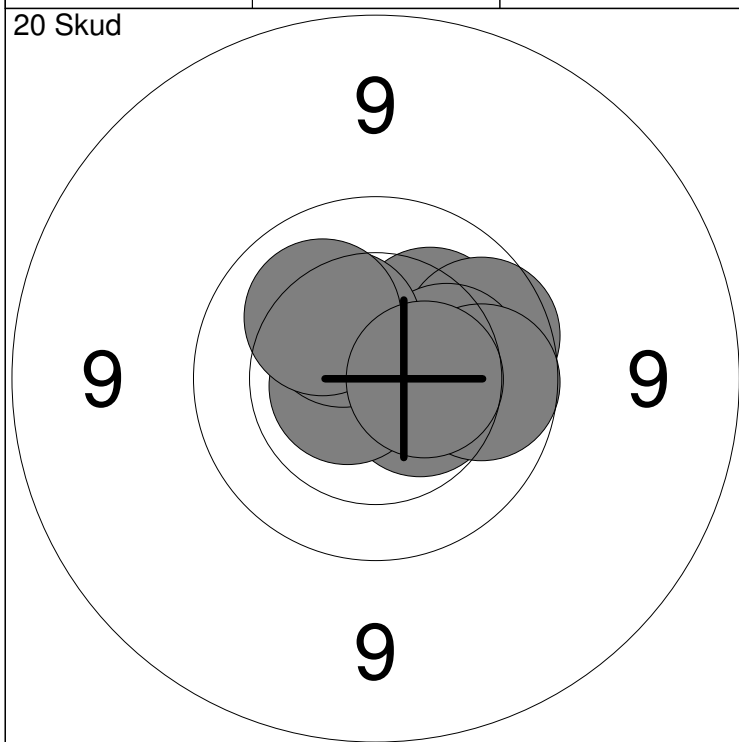
1: 10.5x ↘	6: 9.5 ↖	Serie	92
2: 9.2 ↘	7: 9.4 ↘		
3: 8.7 ↗	8: 10.7x →	Total	92
4: 9.7 ↘	9: 9.4 ↘		
5: 10.2 ↘	10: 9.8 ↘		

11: 8.8 ↗	16: 8.6 ↖	Serie	90
12: 9.1 ↗	17: 9.2 ↘		
13: 9.4 →	18: 9.6 ↘	Total	182
14: 10.5x ↘	19: 10.3 ↑		
15: 9.6 ↘	20: 9.9 ↘		



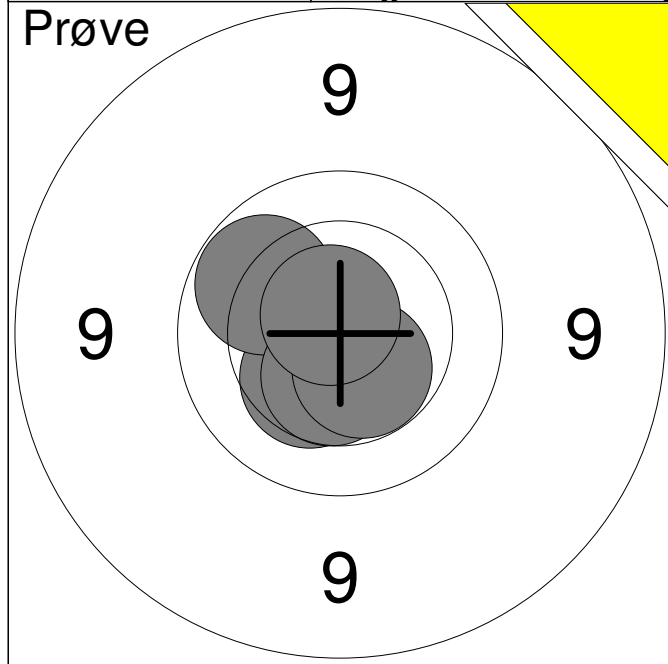
1: 9.9 ↘	6: 10.3 →	Serie	94
2: 9.5 ↘	7: 9.6 ↑		
3: 10.4 ←	8: 9.2 →	Total	0
4: 10.9x ↑	9: 10.0 ↗		
5: 9.8 ↗	10: 9.5 ↘		

11: 9.7 ↗	Serie	19
12: 10.7x ↘		
Total		0

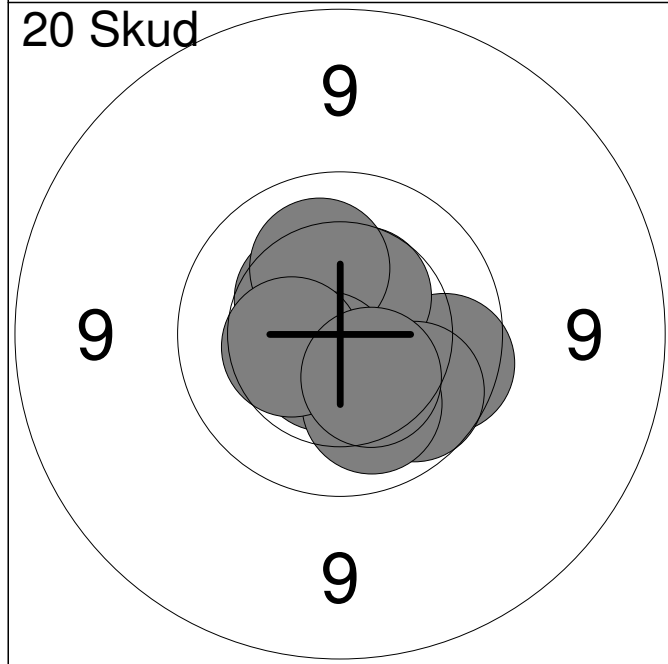


1: 10.5 →	6: 9.9 →	Serie	98
2: 10.6x ↗	7: 10.7x ←		
3: 10.2 ↗	8: 10.4 ↗	Total	98
4: 9.9 →	9: 10.2 ↗		
5: 10.2 →	10: 10.5 →		

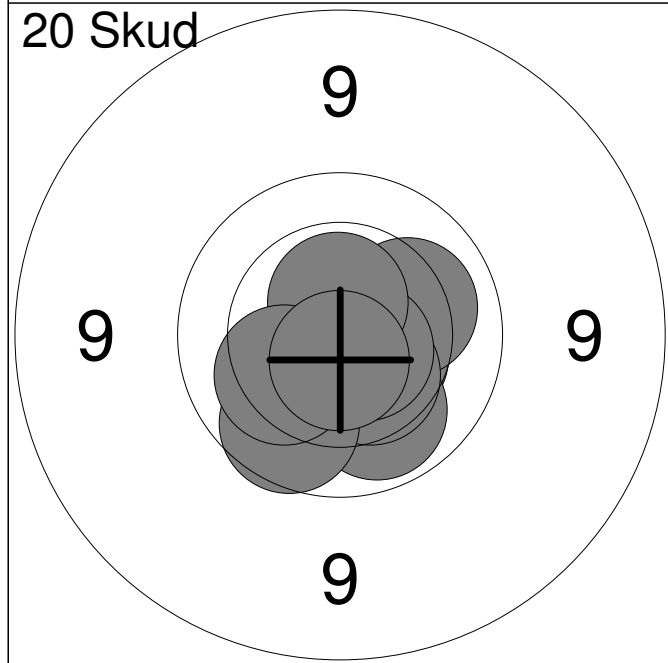
11: 10.7x ↗	16: 10.2 ↖	Serie	98
12: 10.0 ↗	17: 10.3 →		
13: 9.2 ↘	18: 10.2 ↗	Total	196
14: 9.4 →	19: 10.3 ←		
15: 10.3 ↘	20: 10.6x ↘		



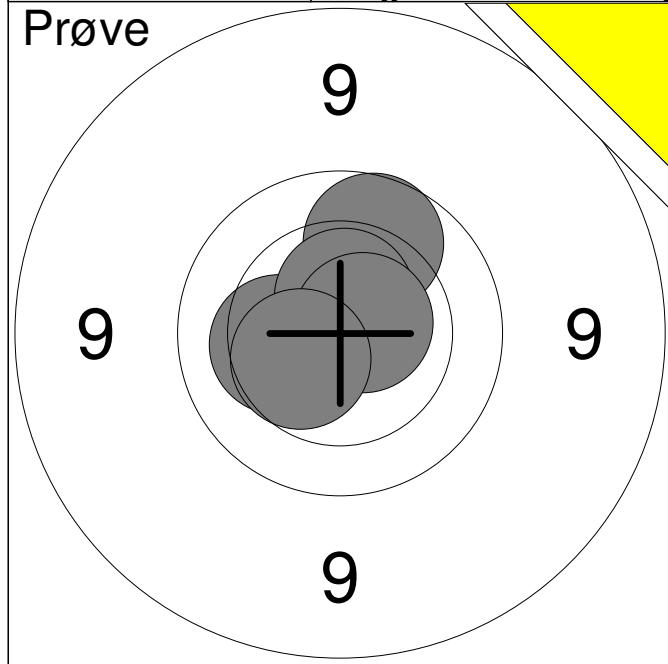
1:	10.4	↙
2:	10.0	↗
3:	10.5	↘
4:	10.5x	↘
5:	10.7x	↗
Serie		50.0
Total		0.0



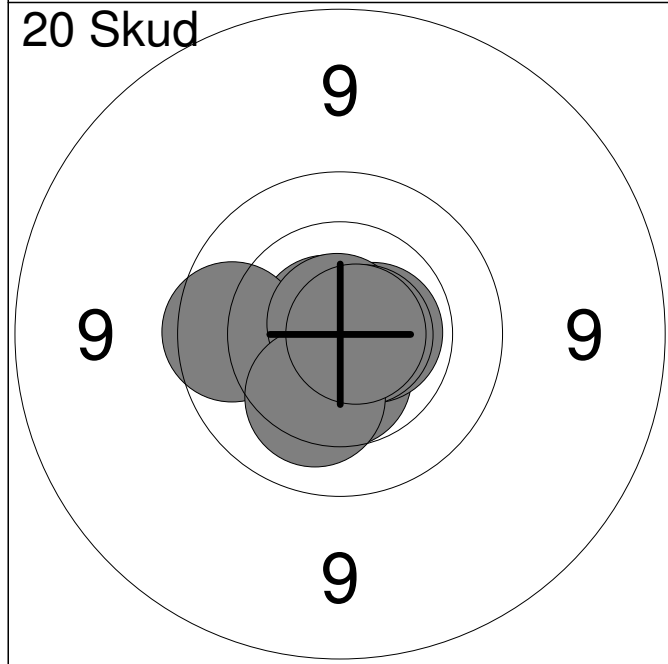
1:	10.4	↗
2:	10.9x	↗
3:	9.9	→
4:	10.5	↗
5:	10.2	↗
6:	9.9	↘
7:	10.6x	↘
8:	10.1	↘
9:	10.4	←
10:	10.4	↘
Serie		98.0
Total		98.0



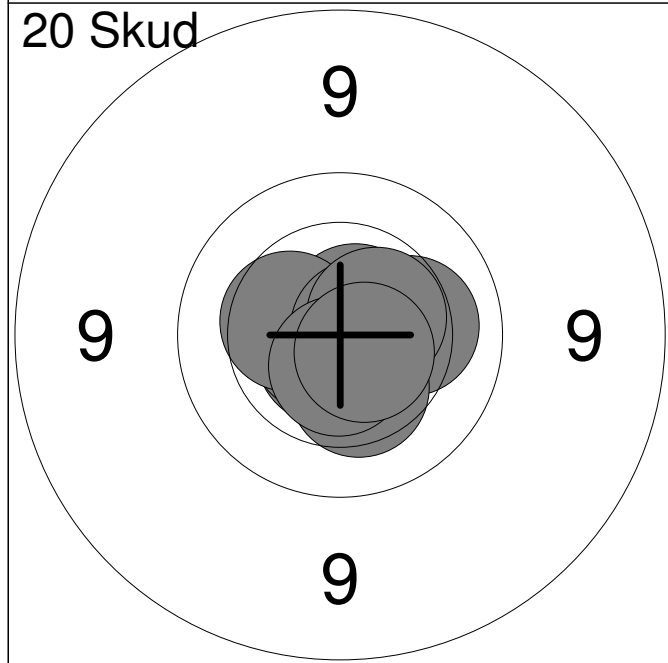
11:	10.5	↘
12:	10.2	→
13:	10.8x	↘
14:	10.0	↘
15:	10.4	↘
16:	10.6x	↘
17:	10.6x	↑
18:	9.9	↘
19:	10.2	↙
20:	10.7x	↓
Serie		99.0
Total		197.0



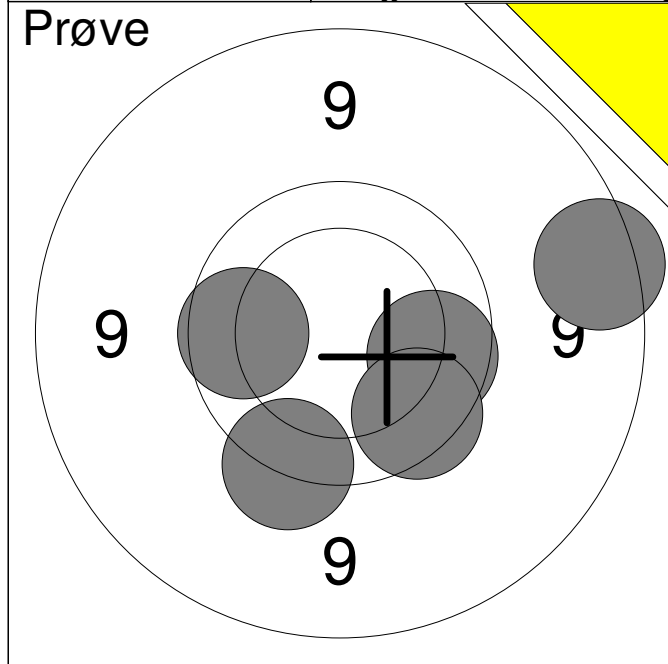
1:	9.9	↑
2:	10.3	←
3:	10.6x	↑
4:	10.7x	→
5:	10.4	↙
Serie		49.0
Total		0.0



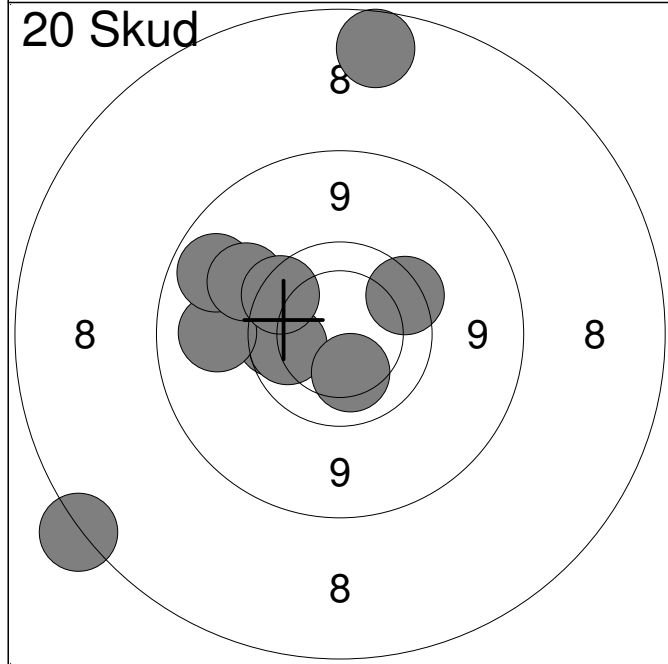
1:	10.7x	←
2:	10.4	↘
3:	10.8x	↗
4:	9.9	←
5:	10.5	↓
6:	10.6x	→
7:	10.8x	↑
8:	10.7x	→
9:	10.2	↘
10:	10.8x	→
Serie		99.0
Total		99.0



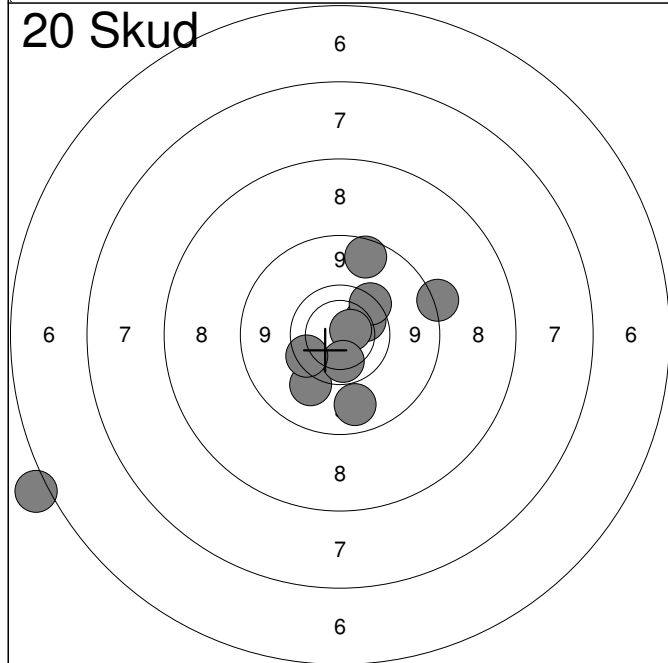
11:	10.7x	↗
12:	10.7x	↘
13:	10.2	→
14:	10.7x	←
15:	10.4	←
16:	10.4	↓
17:	10.7x	→
18:	10.5x	↗
19:	10.6x	↓
20:	10.6x	↘
Serie		100.0
Total		199.0



1:	9.9	←
2:	8.8	→
3:	9.9	→
4:	9.6	↓
5:	9.8	↓
Serie	44.0	
Total	0.0	



1:	7.9	↑
2:	9.8	←
3:	7.6	↙
4:	9.9	←
5:	9.2	←
6:	9.7	↗
7:	10.2	↓
8:	9.0	↗
9:	9.4	↗
10:	9.7	↗
Serie	87.0	
Total	87.0	



11:	9.9	↗
12:	9.1	↓
13:	9.4	↙
14:	9.6	↗
15:	10.6x	↗
16:	10.0	↓
17:	8.9	↑
18:	0.0	←
19:	8.6	↗
20:	9.7	←
Serie	81.0	
Total	168.0	

<p>Prøve</p>	<table style="width:100%; border-collapse: collapse;"> <tr><td style="width:10%;">1:</td><td style="width:80%;">9.1</td><td style="width:10%; text-align: right;">→</td></tr> <tr><td>2:</td><td>9.8</td><td style="text-align: right;">←</td></tr> <tr><td>3:</td><td>9.9</td><td style="text-align: right;">↙</td></tr> <tr><td>4:</td><td>9.7</td><td style="text-align: right;">↘</td></tr> <tr><td>5:</td><td>9.6</td><td style="text-align: right;">←</td></tr> <tr><td>6:</td><td>10.8x</td><td style="text-align: right;">↗</td></tr> <tr><td>7:</td><td>10.5</td><td style="text-align: right;">↘</td></tr> </table>	1:	9.1	→	2:	9.8	←	3:	9.9	↙	4:	9.7	↘	5:	9.6	←	6:	10.8x	↗	7:	10.5	↘
1:	9.1	→																				
2:	9.8	←																				
3:	9.9	↙																				
4:	9.7	↘																				
5:	9.6	←																				
6:	10.8x	↗																				
7:	10.5	↘																				
<table style="width:100%; border-collapse: collapse;"> <tr> <td style="width:80%;">Serie</td> <td style="text-align: right;">65.0</td> </tr> <tr> <td>Total</td> <td style="text-align: right;">0.0</td> </tr> </table>		Serie	65.0	Total	0.0																	
Serie	65.0																					
Total	0.0																					

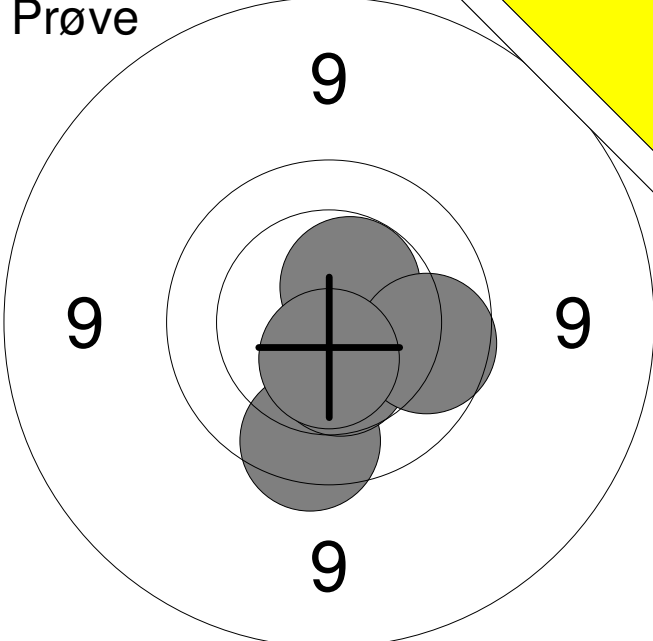
<p>20 Skud</p>	<table style="width:100%; border-collapse: collapse;"> <tr><td style="width:10%;">1:</td><td style="width:80%;">10.3</td><td style="width:10%; text-align: right;">←</td></tr> <tr><td>2:</td><td>10.2</td><td style="text-align: right;">↗</td></tr> <tr><td>3:</td><td>10.7x</td><td style="text-align: right;">↗</td></tr> <tr><td>4:</td><td>10.0</td><td style="text-align: right;">←</td></tr> <tr><td>5:</td><td>10.5</td><td style="text-align: right;">↗</td></tr> <tr><td>6:</td><td>9.9</td><td style="text-align: right;">↗</td></tr> <tr><td>7:</td><td>10.6x</td><td style="text-align: right;">↘</td></tr> <tr><td>8:</td><td>9.9</td><td style="text-align: right;">↘</td></tr> <tr><td>9:</td><td>9.9</td><td style="text-align: right;">↘</td></tr> <tr><td>10:</td><td>9.6</td><td style="text-align: right;">←</td></tr> </table>	1:	10.3	←	2:	10.2	↗	3:	10.7x	↗	4:	10.0	←	5:	10.5	↗	6:	9.9	↗	7:	10.6x	↘	8:	9.9	↘	9:	9.9	↘	10:	9.6	←
1:	10.3	←																													
2:	10.2	↗																													
3:	10.7x	↗																													
4:	10.0	←																													
5:	10.5	↗																													
6:	9.9	↗																													
7:	10.6x	↘																													
8:	9.9	↘																													
9:	9.9	↘																													
10:	9.6	←																													
<table style="width:100%; border-collapse: collapse;"> <tr> <td style="width:80%;">Serie</td> <td style="text-align: right;">96.0</td> </tr> <tr> <td>Total</td> <td style="text-align: right;">96.0</td> </tr> </table>		Serie	96.0	Total	96.0																										
Serie	96.0																														
Total	96.0																														

<p>20 Skud</p>	<table style="width:100%; border-collapse: collapse;"> <tr><td style="width:10%;">11:</td><td style="width:80%;">9.5</td><td style="width:10%; text-align: right;">↖</td></tr> <tr><td>12:</td><td>9.7</td><td style="text-align: right;">←</td></tr> <tr><td>13:</td><td>9.8</td><td style="text-align: right;">←</td></tr> <tr><td>14:</td><td>9.6</td><td style="text-align: right;">→</td></tr> <tr><td>15:</td><td>10.2</td><td style="text-align: right;">↗</td></tr> <tr><td>16:</td><td>10.2</td><td style="text-align: right;">↗</td></tr> <tr><td>17:</td><td>10.6x</td><td style="text-align: right;">↘</td></tr> <tr><td>18:</td><td>10.6x</td><td style="text-align: right;">←</td></tr> <tr><td>19:</td><td>10.0</td><td style="text-align: right;">↗</td></tr> <tr><td>20:</td><td>9.8</td><td style="text-align: right;">↑</td></tr> </table>	11:	9.5	↖	12:	9.7	←	13:	9.8	←	14:	9.6	→	15:	10.2	↗	16:	10.2	↗	17:	10.6x	↘	18:	10.6x	←	19:	10.0	↗	20:	9.8	↑
11:	9.5	↖																													
12:	9.7	←																													
13:	9.8	←																													
14:	9.6	→																													
15:	10.2	↗																													
16:	10.2	↗																													
17:	10.6x	↘																													
18:	10.6x	←																													
19:	10.0	↗																													
20:	9.8	↑																													
<table style="width:100%; border-collapse: collapse;"> <tr> <td style="width:80%;">Serie</td> <td style="text-align: right;">95.0</td> </tr> <tr> <td>Total</td> <td style="text-align: right;">191.0</td> </tr> </table>		Serie	95.0	Total	191.0																										
Serie	95.0																														
Total	191.0																														

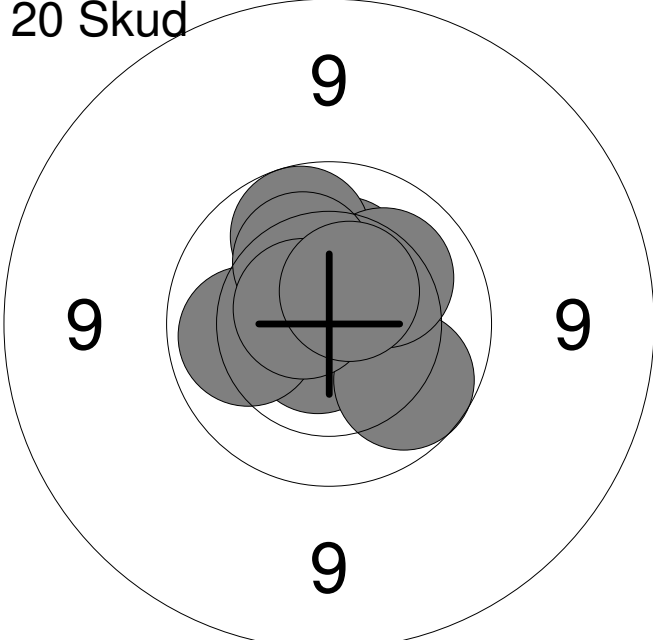
Hold 27	Skive 10	Morten Lindberg Larsen	
-------------------	--------------------	-------------------------------	--

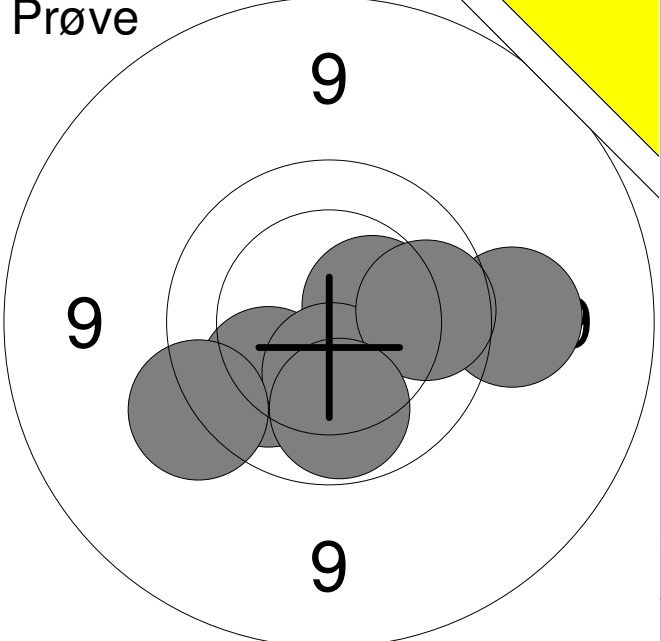
15m	Hjørring Skytteforening	MB1	
-----	-------------------------	-----	--

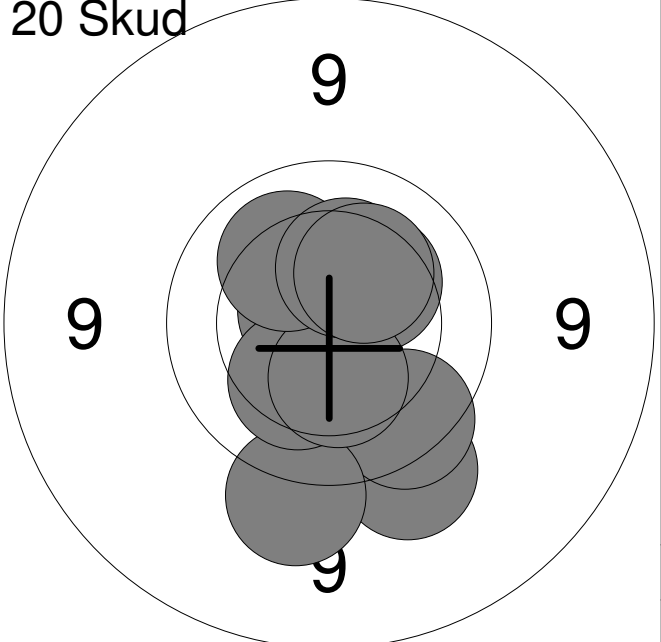
	Nordjysk Mesterskab Ungdom	Aalborg Skyttekreds	
--	----------------------------	---------------------	--

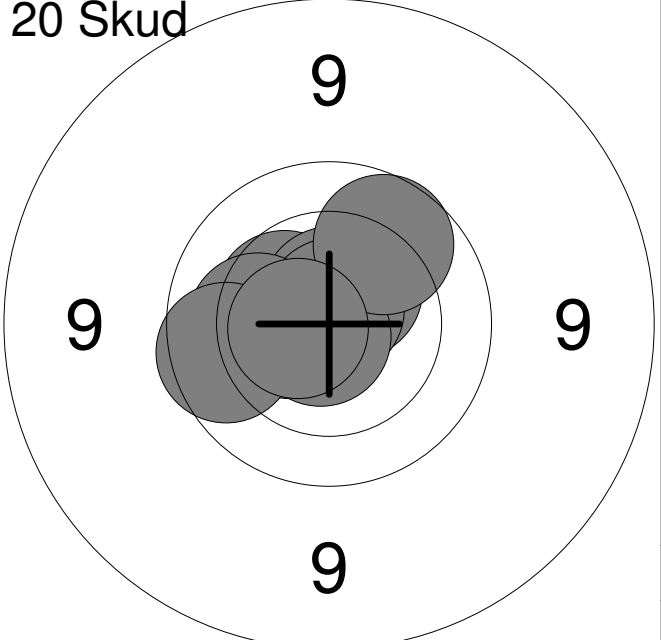
Prøve 	1:	10.5x	↗
	2:	9.8	↓
	3:	10.5	↓
	4:	9.9	→
	5:	10.6x	↓
	Serie		48.0
Total		0.0	

20 Skud 	1:	10.4	↗
	2:	10.4	←
	3:	10.1	↓
	4:	10.2	↓
	5:	10.1	↓
	6:	10.5	↓
	7:	10.6x	↓
	8:	10.5	↙
	9:	10.2	↙
	10:	10.3	↓
	Serie		100.0
Total		100.0	

20 Skud 	11:	10.7x	↙
	12:	10.3	↗
	13:	10.7x	↗
	14:	10.0	↗
	15:	9.9	↓
	16:	10.1	←
	17:	10.2	↗
	18:	10.2	↗
	19:	10.6x	↗
	20:	10.5x	↗
	Serie		99.0
Total		199.0	

<p>Prøve</p> 	<table style="width:100%; border-collapse: collapse;"> <tr><td style="width:10%;">1:</td><td style="width:15%;">9.4</td><td style="width:10%; text-align:center;">→</td></tr> <tr><td>2:</td><td>10.4</td><td style="text-align:center;">→</td></tr> <tr><td>3:</td><td>10.1</td><td style="text-align:center;">↙</td></tr> <tr><td>4:</td><td>10.4</td><td style="text-align:center;">↓</td></tr> <tr><td>5:</td><td>9.9</td><td style="text-align:center;">→</td></tr> <tr><td>6:</td><td>9.5</td><td style="text-align:center;">↙</td></tr> <tr><td>7:</td><td>10.0</td><td style="text-align:center;">↓</td></tr> </table>	1:	9.4	→	2:	10.4	→	3:	10.1	↙	4:	10.4	↓	5:	9.9	→	6:	9.5	↙	7:	10.0	↓
1:	9.4	→																				
2:	10.4	→																				
3:	10.1	↙																				
4:	10.4	↓																				
5:	9.9	→																				
6:	9.5	↙																				
7:	10.0	↓																				
<table style="width:100%; border-collapse: collapse;"> <tr> <td style="width:10%;">Serie</td> <td style="width:15%;"></td> <td style="width:10%; text-align:right;">67.0</td> </tr> <tr> <td>Total</td> <td></td> <td style="text-align:right;">0.0</td> </tr> </table>		Serie		67.0	Total		0.0															
Serie		67.0																				
Total		0.0																				

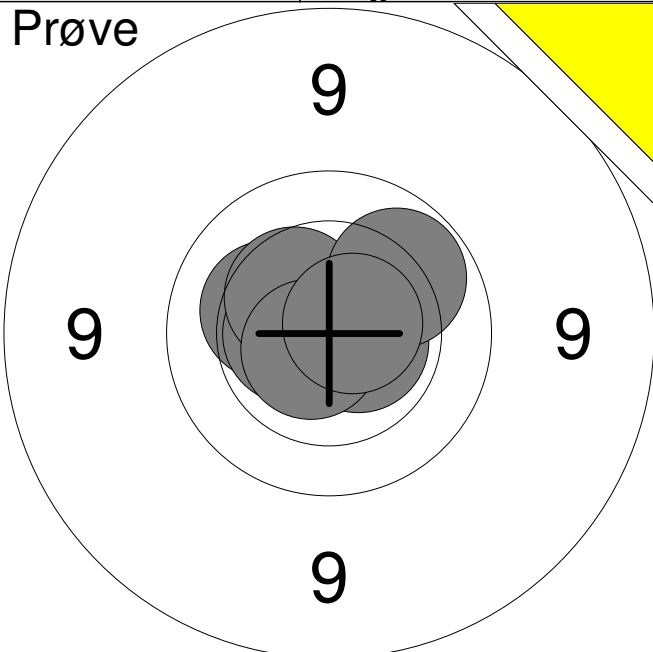
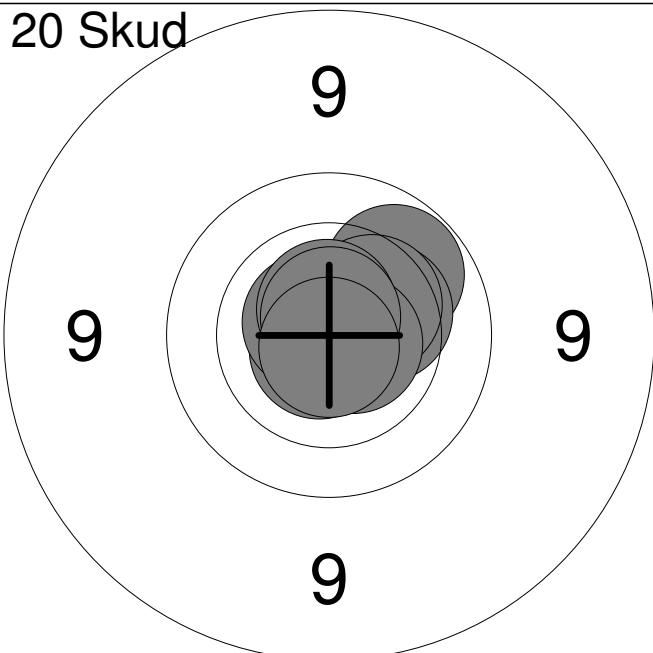
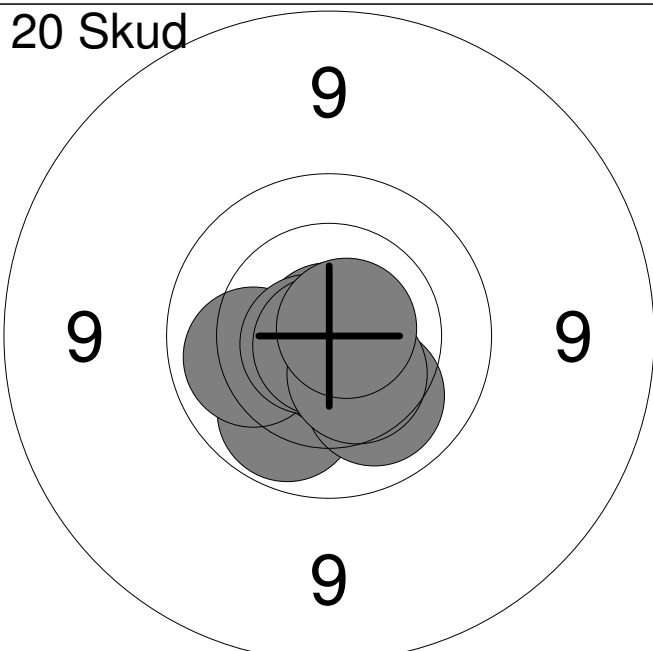
<p>20 Skud</p> 	<table style="width:100%; border-collapse: collapse;"> <tr><td style="width:10%;">1:</td><td style="width:15%;">9.5</td><td style="width:10%; text-align:center;">↓</td></tr> <tr><td>2:</td><td>9.8</td><td style="text-align:center;">↓</td></tr> <tr><td>3:</td><td>9.4</td><td style="text-align:center;">↓</td></tr> <tr><td>4:</td><td>10.7x</td><td style="text-align:center;">↖</td></tr> <tr><td>5:</td><td>10.3</td><td style="text-align:center;">↙</td></tr> <tr><td>6:</td><td>10.3</td><td style="text-align:center;">↗</td></tr> <tr><td>7:</td><td>10.4</td><td style="text-align:center;">↓</td></tr> <tr><td>8:</td><td>10.1</td><td style="text-align:center;">↖</td></tr> <tr><td>9:</td><td>10.3</td><td style="text-align:center;">↑</td></tr> <tr><td>10:</td><td>10.3</td><td style="text-align:center;">↗</td></tr> </table>	1:	9.5	↓	2:	9.8	↓	3:	9.4	↓	4:	10.7x	↖	5:	10.3	↙	6:	10.3	↗	7:	10.4	↓	8:	10.1	↖	9:	10.3	↑	10:	10.3	↗
1:	9.5	↓																													
2:	9.8	↓																													
3:	9.4	↓																													
4:	10.7x	↖																													
5:	10.3	↙																													
6:	10.3	↗																													
7:	10.4	↓																													
8:	10.1	↖																													
9:	10.3	↑																													
10:	10.3	↗																													
<table style="width:100%; border-collapse: collapse;"> <tr> <td style="width:10%;">Serie</td> <td style="width:15%;"></td> <td style="width:10%; text-align:right;">97.0</td> </tr> <tr> <td>Total</td> <td></td> <td style="text-align:right;">97.0</td> </tr> </table>		Serie		97.0	Total		97.0																								
Serie		97.0																													
Total		97.0																													

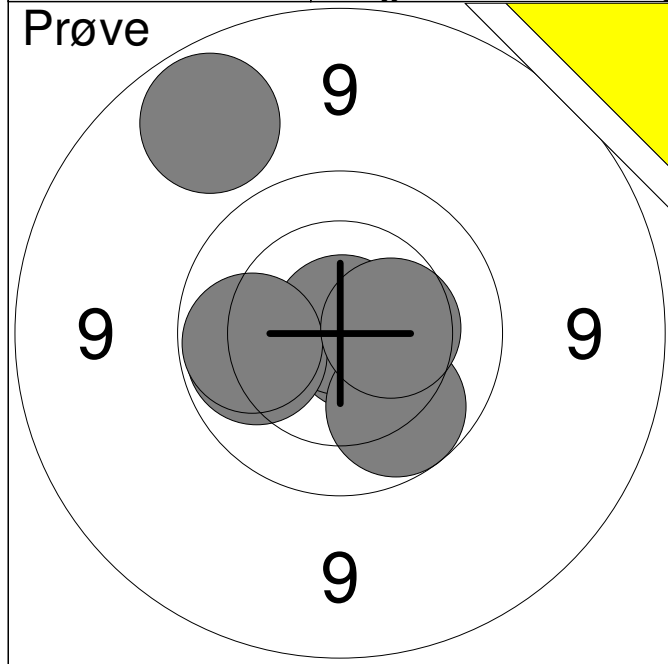
<p>20 Skud</p> 	<table style="width:100%; border-collapse: collapse;"> <tr><td style="width:10%;">11:</td><td style="width:15%;">10.5x</td><td style="width:10%; text-align:center;">↗</td></tr> <tr><td>12:</td><td>10.4</td><td style="text-align:center;">↖</td></tr> <tr><td>13:</td><td>10.5x</td><td style="text-align:center;">←</td></tr> <tr><td>14:</td><td>10.7x</td><td style="text-align:center;">↑</td></tr> <tr><td>15:</td><td>10.8x</td><td style="text-align:center;">↑</td></tr> <tr><td>16:</td><td>10.2</td><td style="text-align:center;">←</td></tr> <tr><td>17:</td><td>10.8x</td><td style="text-align:center;">↙</td></tr> <tr><td>18:</td><td>9.9</td><td style="text-align:center;">←</td></tr> <tr><td>19:</td><td>9.9</td><td style="text-align:center;">↗</td></tr> <tr><td>20:</td><td>10.6x</td><td style="text-align:center;">←</td></tr> </table>	11:	10.5x	↗	12:	10.4	↖	13:	10.5x	←	14:	10.7x	↑	15:	10.8x	↑	16:	10.2	←	17:	10.8x	↙	18:	9.9	←	19:	9.9	↗	20:	10.6x	←
11:	10.5x	↗																													
12:	10.4	↖																													
13:	10.5x	←																													
14:	10.7x	↑																													
15:	10.8x	↑																													
16:	10.2	←																													
17:	10.8x	↙																													
18:	9.9	←																													
19:	9.9	↗																													
20:	10.6x	←																													
<table style="width:100%; border-collapse: collapse;"> <tr> <td style="width:10%;">Serie</td> <td style="width:15%;"></td> <td style="width:10%; text-align:right;">98.0</td> </tr> <tr> <td>Total</td> <td></td> <td style="text-align:right;">195.0</td> </tr> </table>		Serie		98.0	Total		195.0																								
Serie		98.0																													
Total		195.0																													

<p>Prøve</p>	<table style="width:100%; border-collapse: collapse;"> <tr><td style="width:10%;">1:</td><td style="width:80%;">10.0</td><td style="width:10%; text-align: right;">→</td></tr> <tr><td>2:</td><td>9.1</td><td style="text-align: right;">↓</td></tr> <tr><td>3:</td><td>9.9</td><td style="text-align: right;">↓</td></tr> <tr><td>4:</td><td>10.7x</td><td style="text-align: right;">←</td></tr> <tr><td>5:</td><td>10.3</td><td style="text-align: right;">→</td></tr> <tr><td>6:</td><td>10.3</td><td style="text-align: right;">→</td></tr> <tr><td>7:</td><td>10.1</td><td style="text-align: right;">↑</td></tr> <tr><td>8:</td><td>10.3</td><td style="text-align: right;">↑</td></tr> </table>	1:	10.0	→	2:	9.1	↓	3:	9.9	↓	4:	10.7x	←	5:	10.3	→	6:	10.3	→	7:	10.1	↑	8:	10.3	↑
1:	10.0	→																							
2:	9.1	↓																							
3:	9.9	↓																							
4:	10.7x	←																							
5:	10.3	→																							
6:	10.3	→																							
7:	10.1	↑																							
8:	10.3	↑																							
<table style="width:100%; border-collapse: collapse;"> <tr> <td style="width:80%;">Serie</td> <td style="text-align: right;">78.0</td> </tr> <tr> <td>Total</td> <td style="text-align: right;">0.0</td> </tr> </table>		Serie	78.0	Total	0.0																				
Serie	78.0																								
Total	0.0																								

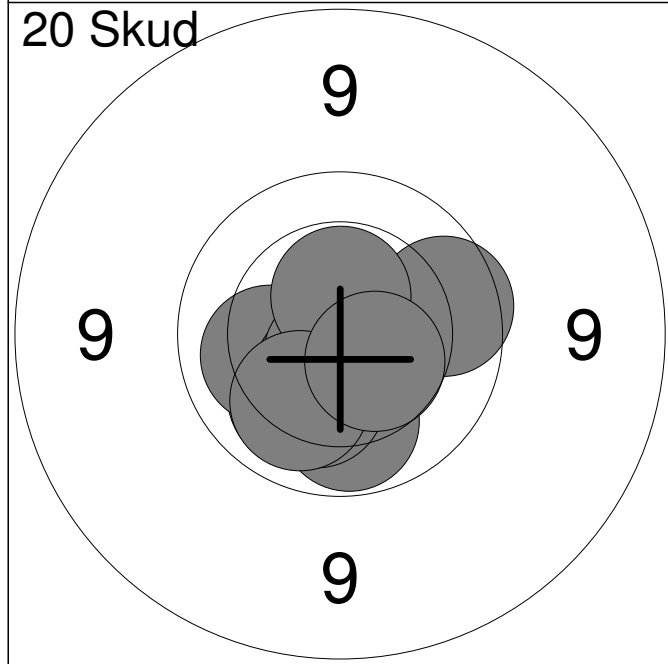
<p>20 Skud</p>	<table style="width:100%; border-collapse: collapse;"> <tr><td style="width:10%;">1:</td><td style="width:80%;">10.5x</td><td style="width:10%; text-align: right;">↓</td></tr> <tr><td>2:</td><td>10.9x</td><td style="text-align: right;">↑</td></tr> <tr><td>3:</td><td>10.3</td><td style="text-align: right;">↑</td></tr> <tr><td>4:</td><td>10.6x</td><td style="text-align: right;">↑</td></tr> <tr><td>5:</td><td>9.3</td><td style="text-align: right;">←</td></tr> <tr><td>6:</td><td>10.1</td><td style="text-align: right;">↓</td></tr> <tr><td>7:</td><td>10.9x</td><td style="text-align: right;">↑</td></tr> <tr><td>8:</td><td>10.6x</td><td style="text-align: right;">↓</td></tr> <tr><td>9:</td><td>10.1</td><td style="text-align: right;">→</td></tr> <tr><td>10:</td><td>10.4</td><td style="text-align: right;">↑</td></tr> </table>	1:	10.5x	↓	2:	10.9x	↑	3:	10.3	↑	4:	10.6x	↑	5:	9.3	←	6:	10.1	↓	7:	10.9x	↑	8:	10.6x	↓	9:	10.1	→	10:	10.4	↑
1:	10.5x	↓																													
2:	10.9x	↑																													
3:	10.3	↑																													
4:	10.6x	↑																													
5:	9.3	←																													
6:	10.1	↓																													
7:	10.9x	↑																													
8:	10.6x	↓																													
9:	10.1	→																													
10:	10.4	↑																													
<table style="width:100%; border-collapse: collapse;"> <tr> <td style="width:80%;">Serie</td> <td style="text-align: right;">99.0</td> </tr> <tr> <td>Total</td> <td style="text-align: right;">99.0</td> </tr> </table>		Serie	99.0	Total	99.0																										
Serie	99.0																														
Total	99.0																														

<p>20 Skud</p>	<table style="width:100%; border-collapse: collapse;"> <tr><td style="width:10%;">11:</td><td style="width:80%;">10.6x</td><td style="width:10%; text-align: right;">↓</td></tr> <tr><td>12:</td><td>10.6x</td><td style="text-align: right;">↑</td></tr> <tr><td>13:</td><td>10.5x</td><td style="text-align: right;">↑</td></tr> <tr><td>14:</td><td>10.2</td><td style="text-align: right;">←</td></tr> <tr><td>15:</td><td>10.6x</td><td style="text-align: right;">→</td></tr> <tr><td>16:</td><td>9.8</td><td style="text-align: right;">↑</td></tr> <tr><td>17:</td><td>9.8</td><td style="text-align: right;">↓</td></tr> <tr><td>18:</td><td>9.7</td><td style="text-align: right;">↓</td></tr> <tr><td>19:</td><td>10.3</td><td style="text-align: right;">←</td></tr> <tr><td>20:</td><td>10.0</td><td style="text-align: right;">←</td></tr> </table>	11:	10.6x	↓	12:	10.6x	↑	13:	10.5x	↑	14:	10.2	←	15:	10.6x	→	16:	9.8	↑	17:	9.8	↓	18:	9.7	↓	19:	10.3	←	20:	10.0	←
11:	10.6x	↓																													
12:	10.6x	↑																													
13:	10.5x	↑																													
14:	10.2	←																													
15:	10.6x	→																													
16:	9.8	↑																													
17:	9.8	↓																													
18:	9.7	↓																													
19:	10.3	←																													
20:	10.0	←																													
<table style="width:100%; border-collapse: collapse;"> <tr> <td style="width:80%;">Serie</td> <td style="text-align: right;">97.0</td> </tr> <tr> <td>Total</td> <td style="text-align: right;">196.0</td> </tr> </table>		Serie	97.0	Total	196.0																										
Serie	97.0																														
Total	196.0																														

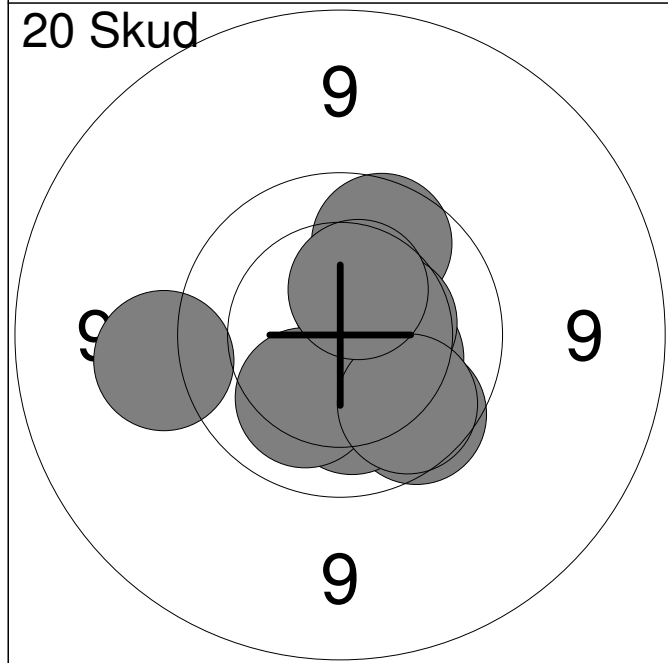
Hold	Skive	Bastian Boldt	
28	1	Vodskov Skytteforening	BK1
15m		Nordjysk Mesterskab Ungdom	Aalborg Skyttekreds
Prøve		1: 10.3 ↗	
		2: 10.6x ←	
		3: 10.4 ↗	
		4: 10.6x →	
		5: 10.0 ↗	
		6: 10.7x ↘	
		7: 10.7x →	
		Serie	70.0
		Total	0.0
20 Skud		1: 10.0 ↗	
		2: 10.3 →	
		3: 10.8x ↘	
		4: 10.7x ←	
		5: 10.7x →	
		6: 10.4 ↗	
		7: 10.7x →	
		8: 10.7x ↑	
		9: 10.8x ↑	
		10: 10.8x ↓	
		Serie	100.0
		Total	100.0
20 Skud		11: 10.9x ↑	
		12: 10.0 ↘	
		13: 10.1 ←	
		14: 10.7x ↘	
		15: 10.7x ←	
		16: 10.8x ↘	
		17: 10.1 ↘	
		18: 10.8x ↘	
		19: 10.4 ↘	
		20: 10.7x →	
		Serie	100.0
		Total	200.0



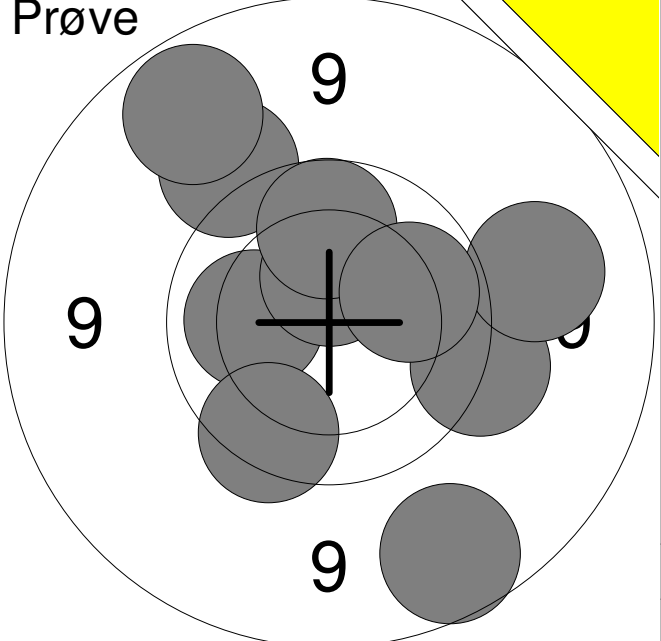
1:	9.0	↖
2:	10.7x	→
3:	10.9x	↑
4:	10.0	←
5:	10.0	←
6:	10.0	↘
7:	10.4	→
Serie		69.0
Total		0.0

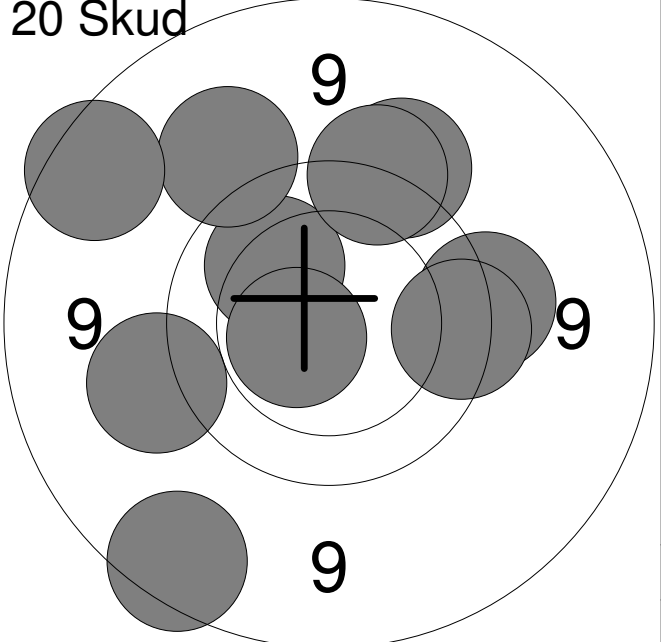


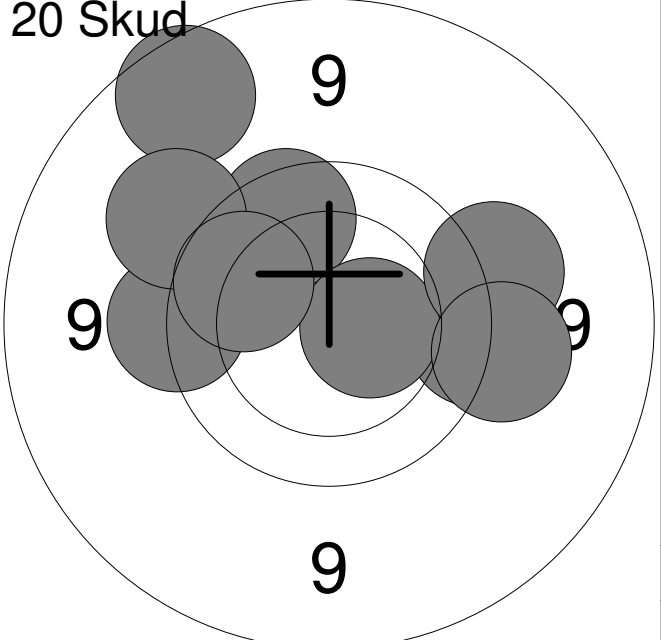
1:	10.1	↙
2:	10.2	←
3:	10.5	↘
4:	10.0	↘
5:	9.9	→
6:	10.2	↘
7:	10.7x	↘
8:	10.5x	↑
9:	10.1	↙
10:	10.5	↘
Serie		99.0
Total		99.0

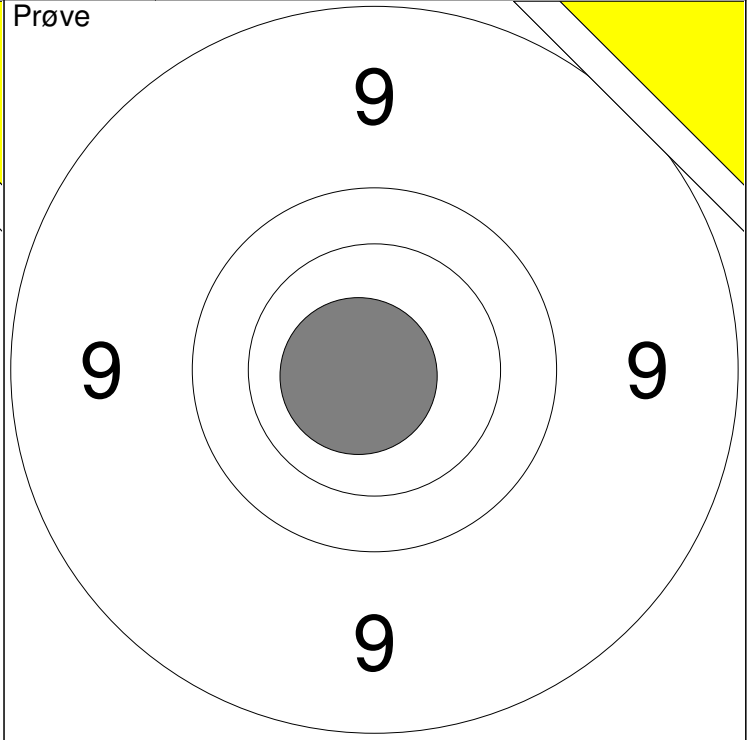
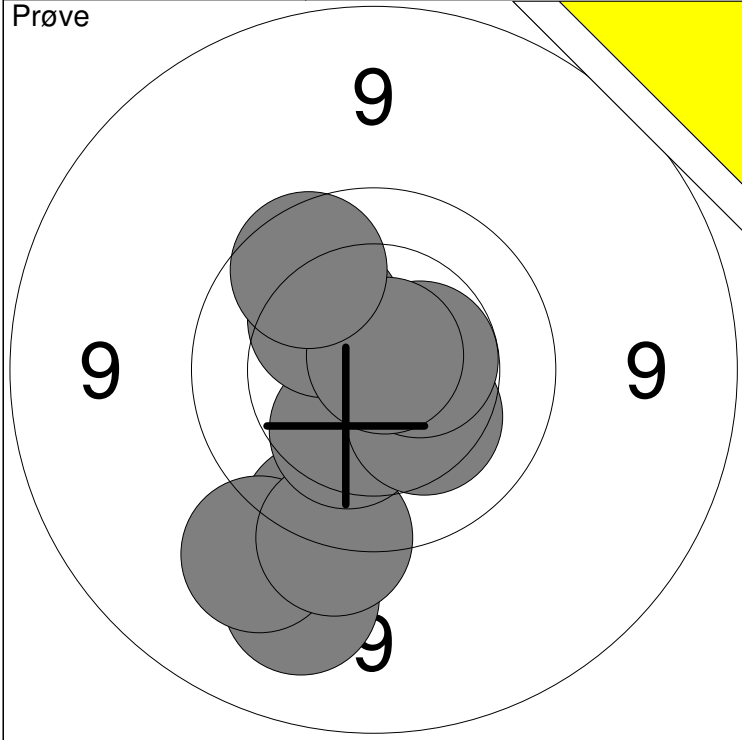


11:	9.4	←
12:	9.9	↑
13:	9.8	↘
14:	10.3	→
15:	10.5	↗
16:	10.2	↘
17:	10.4	→
18:	10.2	↙
19:	9.9	↘
20:	10.4	↑
Serie		96.0
Total		195.0

<p>Prøve</p> 	<table style="width:100%; border-collapse: collapse;"> <tr><td style="width:10%;">1:</td><td style="width:15%;">9.4</td><td style="width:10%; text-align: center;">↗</td></tr> <tr><td>2:</td><td>9.6</td><td style="text-align: center;">→</td></tr> <tr><td>3:</td><td>8.9</td><td style="text-align: center;">↘</td></tr> <tr><td>4:</td><td>10.1</td><td style="text-align: center;">←</td></tr> <tr><td>5:</td><td>10.5</td><td style="text-align: center;">↑</td></tr> <tr><td>6:</td><td>9.9</td><td style="text-align: center;">↑</td></tr> <tr><td>7:</td><td>9.0</td><td style="text-align: center;">↗</td></tr> <tr><td>8:</td><td>9.2</td><td style="text-align: center;">→</td></tr> <tr><td>9:</td><td>9.7</td><td style="text-align: center;">↘</td></tr> <tr><td>10:</td><td>10.0</td><td style="text-align: center;">→</td></tr> <tr><td colspan="2">Serie</td><td style="text-align: right;">92.0</td></tr> <tr><td colspan="2">Total</td><td style="text-align: right;">0.0</td></tr> </table>	1:	9.4	↗	2:	9.6	→	3:	8.9	↘	4:	10.1	←	5:	10.5	↑	6:	9.9	↑	7:	9.0	↗	8:	9.2	→	9:	9.7	↘	10:	10.0	→	Serie		92.0	Total		0.0
1:	9.4	↗																																			
2:	9.6	→																																			
3:	8.9	↘																																			
4:	10.1	←																																			
5:	10.5	↑																																			
6:	9.9	↑																																			
7:	9.0	↗																																			
8:	9.2	→																																			
9:	9.7	↘																																			
10:	10.0	→																																			
Serie		92.0																																			
Total		0.0																																			

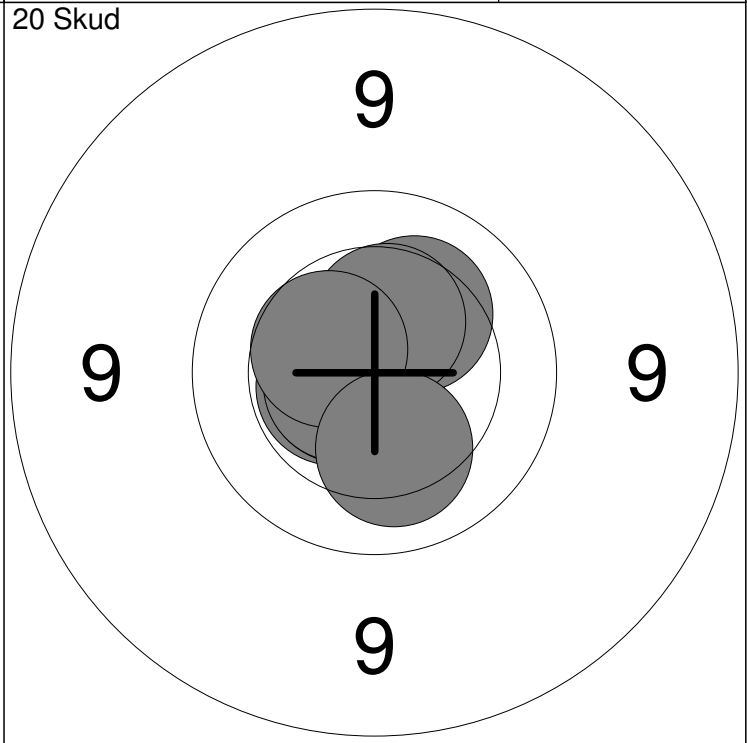
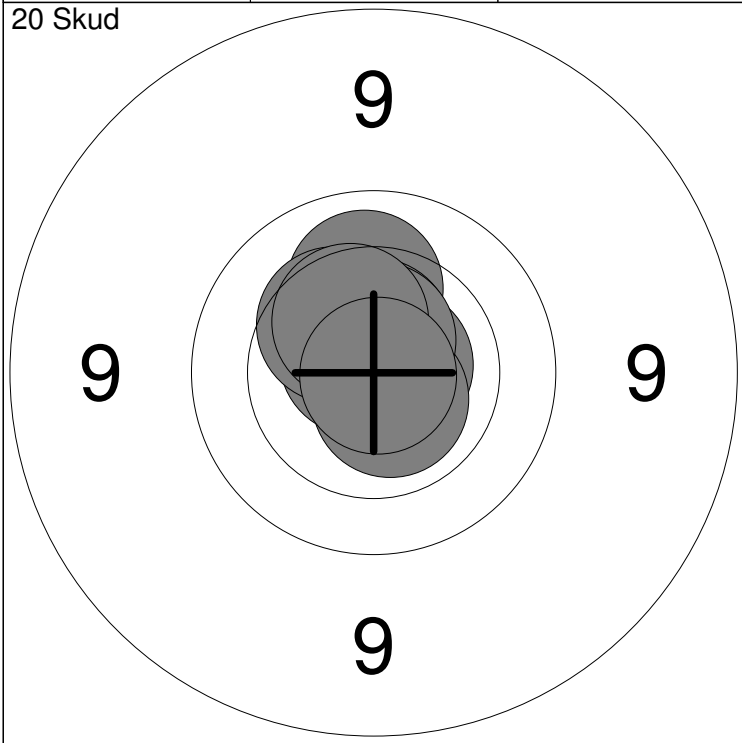
<p>20 Skud</p> 	<table style="width:100%; border-collapse: collapse;"> <tr><td style="width:10%;">1:</td><td style="width:15%;">10.1</td><td style="width:10%; text-align: center;">↗</td></tr> <tr><td>2:</td><td>9.3</td><td style="text-align: center;">↗</td></tr> <tr><td>3:</td><td>8.9</td><td style="text-align: center;">↗</td></tr> <tr><td>4:</td><td>9.5</td><td style="text-align: center;">→</td></tr> <tr><td>5:</td><td>9.4</td><td style="text-align: center;">←</td></tr> <tr><td>6:</td><td>8.8</td><td style="text-align: center;">↘</td></tr> <tr><td>7:</td><td>10.6x</td><td style="text-align: center;">←</td></tr> <tr><td>8:</td><td>9.7</td><td style="text-align: center;">→</td></tr> <tr><td>9:</td><td>9.5</td><td style="text-align: center;">↑</td></tr> <tr><td>10:</td><td>9.6</td><td style="text-align: center;">↑</td></tr> <tr><td colspan="2">Serie</td><td style="text-align: right;">90.0</td></tr> <tr><td colspan="2">Total</td><td style="text-align: right;">90.0</td></tr> </table>	1:	10.1	↗	2:	9.3	↗	3:	8.9	↗	4:	9.5	→	5:	9.4	←	6:	8.8	↘	7:	10.6x	←	8:	9.7	→	9:	9.5	↑	10:	9.6	↑	Serie		90.0	Total		90.0
1:	10.1	↗																																			
2:	9.3	↗																																			
3:	8.9	↗																																			
4:	9.5	→																																			
5:	9.4	←																																			
6:	8.8	↘																																			
7:	10.6x	←																																			
8:	9.7	→																																			
9:	9.5	↑																																			
10:	9.6	↑																																			
Serie		90.0																																			
Total		90.0																																			

<p>20 Skud</p> 	<table style="width:100%; border-collapse: collapse;"> <tr><td style="width:10%;">11:</td><td style="width:15%;">9.8</td><td style="width:10%; text-align: center;">↖</td></tr> <tr><td>12:</td><td>8.9</td><td style="text-align: center;">↗</td></tr> <tr><td>13:</td><td>9.6</td><td style="text-align: center;">→</td></tr> <tr><td>14:</td><td>9.6</td><td style="text-align: center;">←</td></tr> <tr><td>15:</td><td>9.8</td><td style="text-align: center;">↗</td></tr> <tr><td>16:</td><td>10.5x</td><td style="text-align: center;">→</td></tr> <tr><td>17:</td><td>9.5</td><td style="text-align: center;">→</td></tr> <tr><td>18:</td><td>9.4</td><td style="text-align: center;">↗</td></tr> <tr><td>19:</td><td>9.4</td><td style="text-align: center;">→</td></tr> <tr><td>20:</td><td>9.9</td><td style="text-align: center;">↗</td></tr> <tr><td colspan="2">Serie</td><td style="text-align: right;">90.0</td></tr> <tr><td colspan="2">Total</td><td style="text-align: right;">180.0</td></tr> </table>	11:	9.8	↖	12:	8.9	↗	13:	9.6	→	14:	9.6	←	15:	9.8	↗	16:	10.5x	→	17:	9.5	→	18:	9.4	↗	19:	9.4	→	20:	9.9	↗	Serie		90.0	Total		180.0
11:	9.8	↖																																			
12:	8.9	↗																																			
13:	9.6	→																																			
14:	9.6	←																																			
15:	9.8	↗																																			
16:	10.5x	→																																			
17:	9.5	→																																			
18:	9.4	↗																																			
19:	9.4	→																																			
20:	9.9	↗																																			
Serie		90.0																																			
Total		180.0																																			



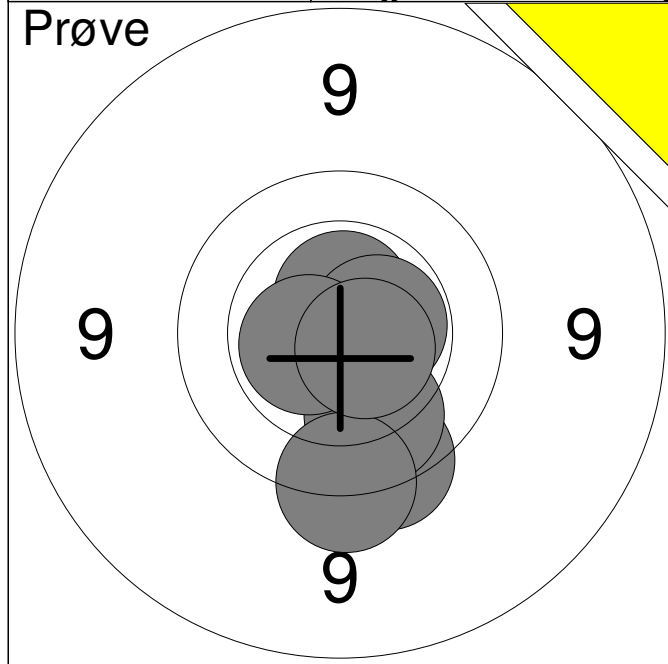
1: 9.6 ↓	6: 10.3 ↗	Serie	95
2: 9.2 ↓	7: 10.3 ↓		
3: 9.3 ↓	8: 10.5x →	Total	0
4: 9.6 ↓	9: 10.8x ↗		
5: 10.3 ↓	10: 9.9 ↖		

11: 10.8x ←	Serie	10
	Total	0

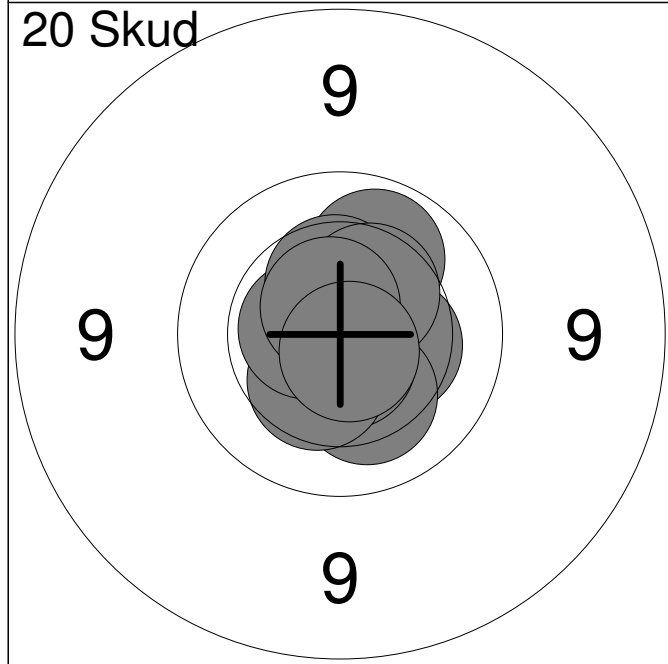


1: 10.6x ↗	6: 10.7x ↗	Serie	100
2: 10.1 ↑	7: 10.4 ↗		
3: 10.7x →	8: 10.6x ↑	Total	100
4: 10.7x ↓	9: 10.4 ↗		
5: 10.6x ↑	10: 10.9x ↓		

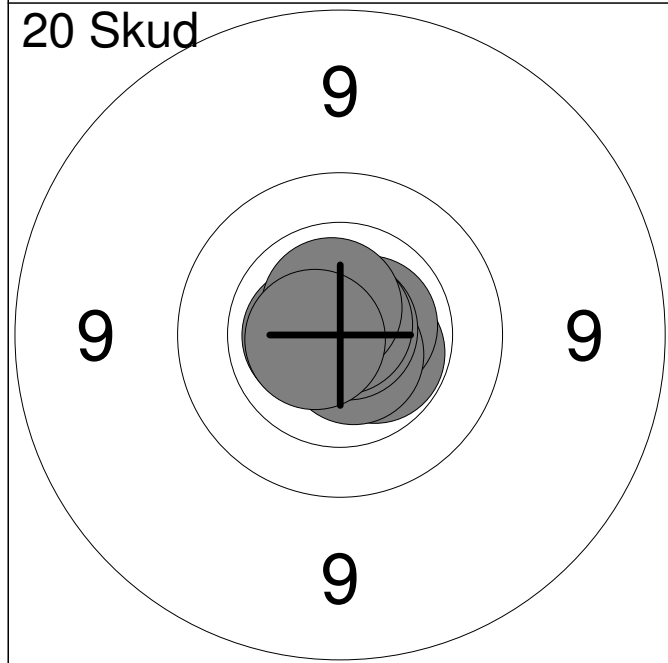
11: 10.5x ↗	16: 10.6x ←	Serie	100
12: 10.5x ←	17: 10.3 ↗		
13: 10.8x ↓	18: 10.4 ↑	Total	200
14: 10.6x ←	19: 10.5 ←		
15: 10.5x ↗	20: 10.2 ↓		



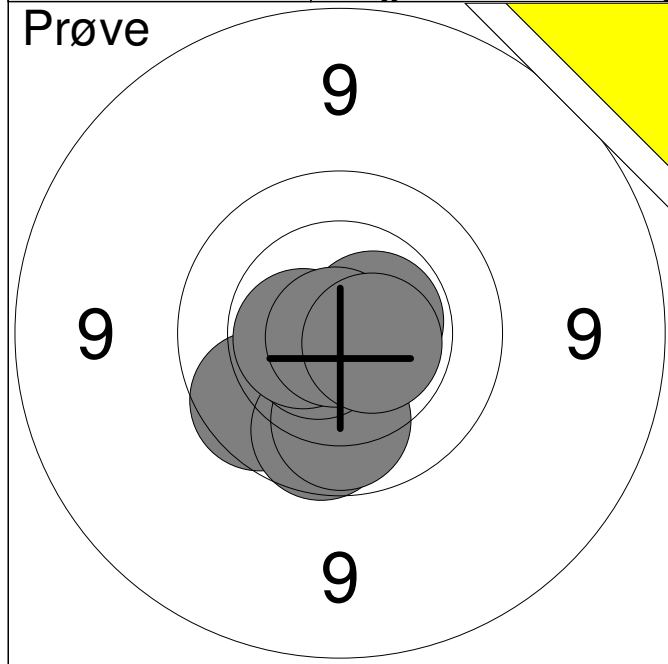
1:	9.7	↘
2:	10.0	↘
3:	9.6	↘
4:	10.6x	↑
5:	10.5x	→
6:	10.6x	←
7:	10.6x	↘
Serie		68.0
Total		0.0



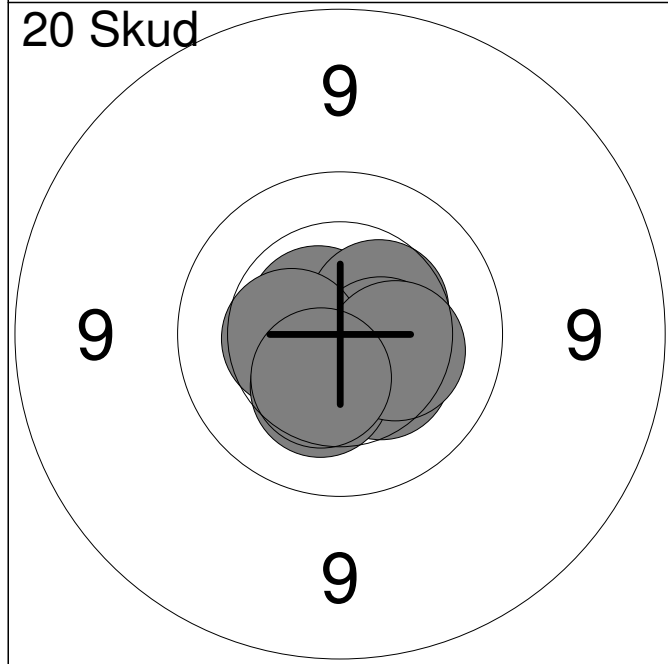
1:	10.4	→
2:	10.2	↘
3:	10.1	↑
4:	10.7x	↘
5:	10.4	↘
6:	10.6x	←
7:	10.4	↑
8:	10.4	↗
9:	10.6x	↑
10:	10.7x	↘
Serie		100.0
Total		100.0



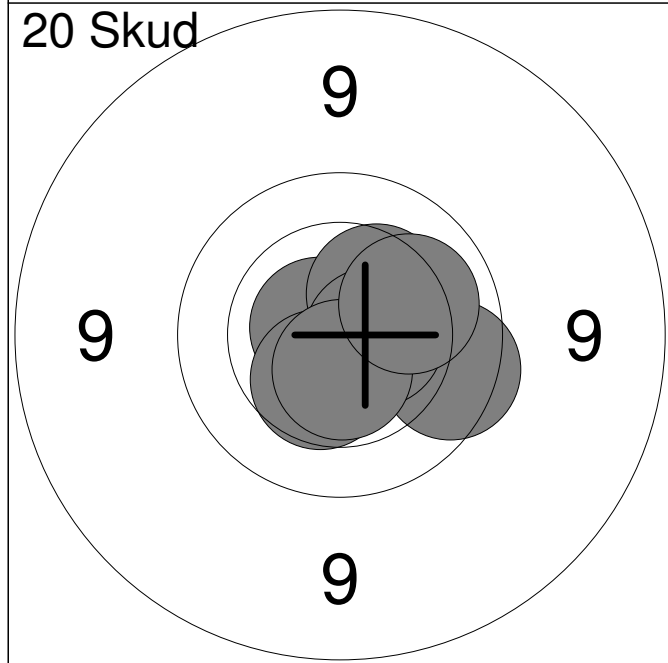
11:	10.5x	↘
12:	10.6x	→
13:	10.8x	↘
14:	10.7x	←
15:	10.9x	↗
16:	10.7x	↘
17:	10.9x	↗
18:	10.8x	↑
19:	10.6x	↑
20:	10.7x	←
Serie		100.0
Total		200.0



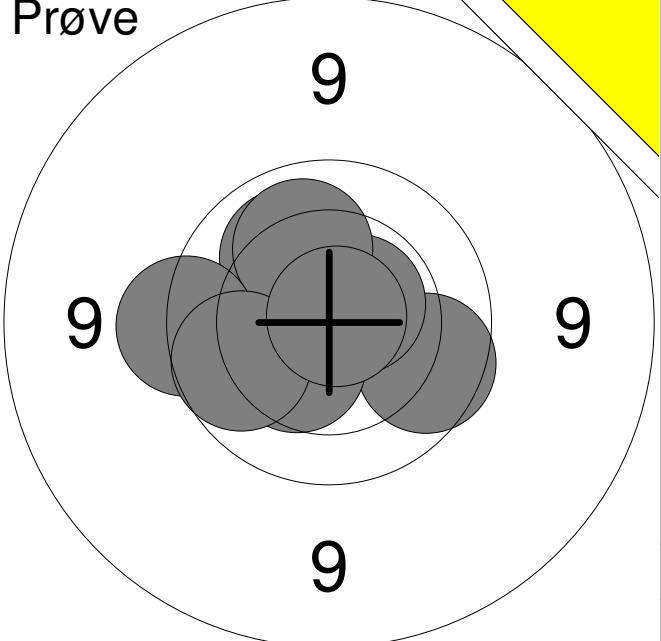
1:	9.9	↙
2:	9.9	↓
3:	10.0	↓
4:	10.7x	↙
5:	10.5x	←
6:	10.6x	→
7:	10.9x	↙
8:	10.6x	→
Serie		78.0
Total		0.0

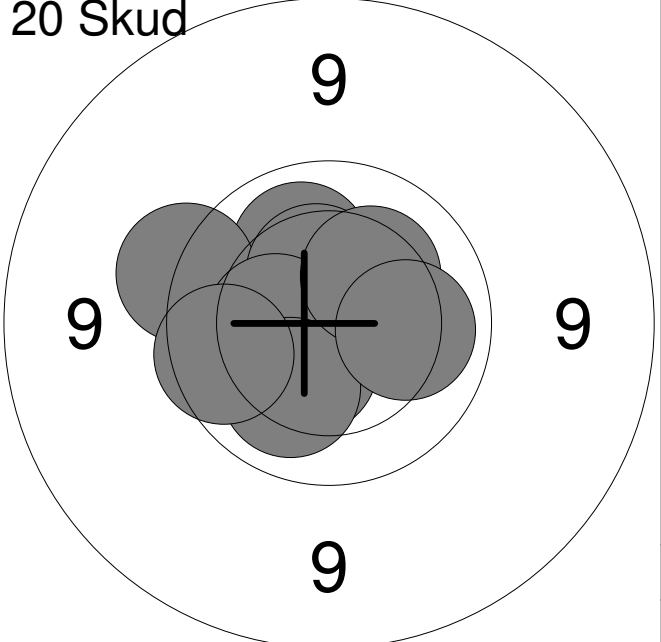


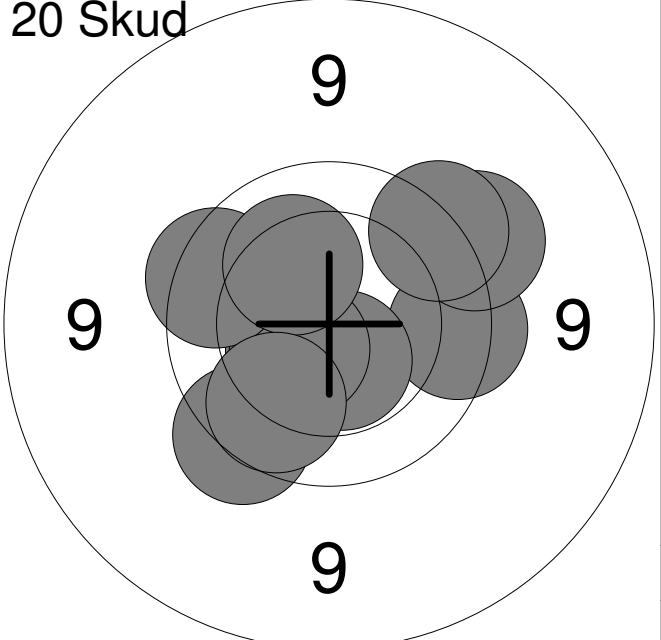
1:	10.7x	↙
2:	10.6x	↗
3:	10.5	→
4:	10.5	→
5:	10.4	↓
6:	10.4	←
7:	10.4	↘
8:	10.3	↓
9:	10.3	→
10:	10.4	↙
Serie		100.0
Total		100.0

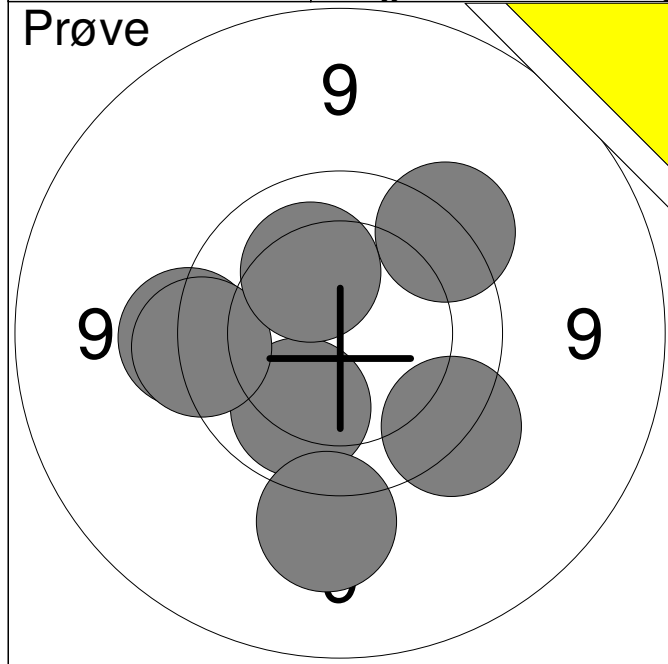


11:	10.5x	→
12:	10.4	→
13:	10.8x	↘
14:	9.8	→
15:	10.7x	↖
16:	10.4	↘
17:	10.4	↗
18:	10.6x	→
19:	10.6x	↓
20:	10.1	↗
Serie		99.0
Total		199.0

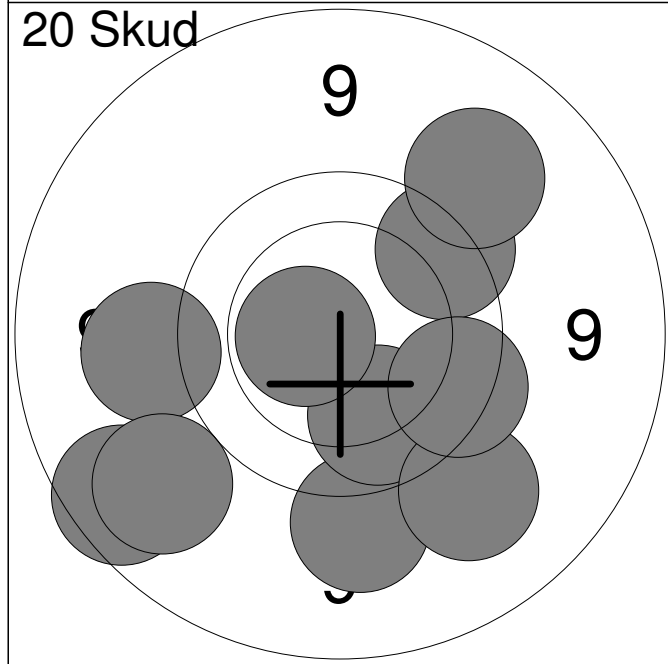
<p>Prøve</p> 	<table style="width:100%; border-collapse: collapse;"> <tr><td style="width:10%;">1:</td><td style="width:40%;">9.9</td><td style="width:50%; text-align: right;">→</td></tr> <tr><td>2:</td><td>10.1</td><td style="text-align: right;">↗</td></tr> <tr><td>3:</td><td>10.6x</td><td style="text-align: right;">→</td></tr> <tr><td>4:</td><td>10.4</td><td style="text-align: right;">↘</td></tr> <tr><td>5:</td><td>10.1</td><td style="text-align: right;">↗</td></tr> <tr><td>6:</td><td>9.6</td><td style="text-align: right;">←</td></tr> <tr><td>7:</td><td>9.9</td><td style="text-align: right;">↖</td></tr> <tr><td>8:</td><td>10.8x</td><td style="text-align: right;">↗</td></tr> </table>	1:	9.9	→	2:	10.1	↗	3:	10.6x	→	4:	10.4	↘	5:	10.1	↗	6:	9.6	←	7:	9.9	↖	8:	10.8x	↗
1:	9.9	→																							
2:	10.1	↗																							
3:	10.6x	→																							
4:	10.4	↘																							
5:	10.1	↗																							
6:	9.6	←																							
7:	9.9	↖																							
8:	10.8x	↗																							
<table style="width:100%; border-collapse: collapse;"> <tr> <td style="width:10%;">Serie</td> <td style="width:40%;"></td> <td style="width:50%; text-align: right;">77.0</td> </tr> <tr> <td>Total</td> <td></td> <td style="text-align: right;">0.0</td> </tr> </table>		Serie		77.0	Total		0.0																		
Serie		77.0																							
Total		0.0																							

<p>20 Skud</p> 	<table style="width:100%; border-collapse: collapse;"> <tr><td style="width:10%;">1:</td><td style="width:40%;">10.1</td><td style="width:50%; text-align: right;">↗</td></tr> <tr><td>2:</td><td>10.7x</td><td style="text-align: right;">↗</td></tr> <tr><td>3:</td><td>9.6</td><td style="text-align: right;">↖</td></tr> <tr><td>4:</td><td>10.4</td><td style="text-align: right;">↘</td></tr> <tr><td>5:</td><td>10.4</td><td style="text-align: right;">↗</td></tr> <tr><td>6:</td><td>10.4</td><td style="text-align: right;">←</td></tr> <tr><td>7:</td><td>10.1</td><td style="text-align: right;">↘</td></tr> <tr><td>8:</td><td>10.3</td><td style="text-align: right;">↗</td></tr> <tr><td>9:</td><td>9.8</td><td style="text-align: right;">←</td></tr> <tr><td>10:</td><td>10.1</td><td style="text-align: right;">→</td></tr> </table>	1:	10.1	↗	2:	10.7x	↗	3:	9.6	↖	4:	10.4	↘	5:	10.4	↗	6:	10.4	←	7:	10.1	↘	8:	10.3	↗	9:	9.8	←	10:	10.1	→
1:	10.1	↗																													
2:	10.7x	↗																													
3:	9.6	↖																													
4:	10.4	↘																													
5:	10.4	↗																													
6:	10.4	←																													
7:	10.1	↘																													
8:	10.3	↗																													
9:	9.8	←																													
10:	10.1	→																													
<table style="width:100%; border-collapse: collapse;"> <tr> <td style="width:10%;">Serie</td> <td style="width:40%;"></td> <td style="width:50%; text-align: right;">98.0</td> </tr> <tr> <td>Total</td> <td></td> <td style="text-align: right;">98.0</td> </tr> </table>		Serie		98.0	Total		98.0																								
Serie		98.0																													
Total		98.0																													

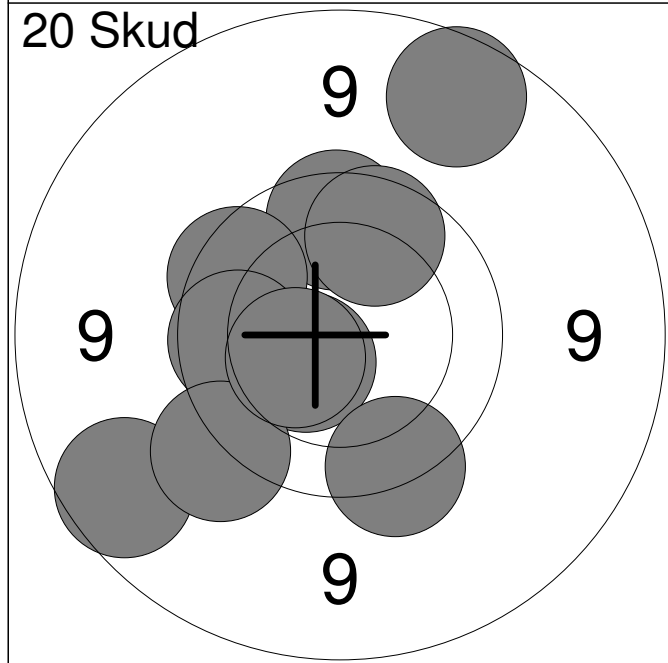
<p>20 Skud</p> 	<table style="width:100%; border-collapse: collapse;"> <tr><td style="width:10%;">11:</td><td style="width:40%;">10.5x</td><td style="width:50%; text-align: right;">↖</td></tr> <tr><td>12:</td><td>9.7</td><td style="text-align: right;">→</td></tr> <tr><td>13:</td><td>10.5x</td><td style="text-align: right;">↘</td></tr> <tr><td>14:</td><td>9.5</td><td style="text-align: right;">↗</td></tr> <tr><td>15:</td><td>9.6</td><td style="text-align: right;">↗</td></tr> <tr><td>16:</td><td>10.5x</td><td style="text-align: right;">↖</td></tr> <tr><td>17:</td><td>9.8</td><td style="text-align: right;">↖</td></tr> <tr><td>18:</td><td>9.7</td><td style="text-align: right;">↘</td></tr> <tr><td>19:</td><td>10.2</td><td style="text-align: right;">↗</td></tr> <tr><td>20:</td><td>9.9</td><td style="text-align: right;">↘</td></tr> </table>	11:	10.5x	↖	12:	9.7	→	13:	10.5x	↘	14:	9.5	↗	15:	9.6	↗	16:	10.5x	↖	17:	9.8	↖	18:	9.7	↘	19:	10.2	↗	20:	9.9	↘
11:	10.5x	↖																													
12:	9.7	→																													
13:	10.5x	↘																													
14:	9.5	↗																													
15:	9.6	↗																													
16:	10.5x	↖																													
17:	9.8	↖																													
18:	9.7	↘																													
19:	10.2	↗																													
20:	9.9	↘																													
<table style="width:100%; border-collapse: collapse;"> <tr> <td style="width:10%;">Serie</td> <td style="width:40%;"></td> <td style="width:50%; text-align: right;">94.0</td> </tr> <tr> <td>Total</td> <td></td> <td style="text-align: right;">192.0</td> </tr> </table>		Serie		94.0	Total		192.0																								
Serie		94.0																													
Total		192.0																													



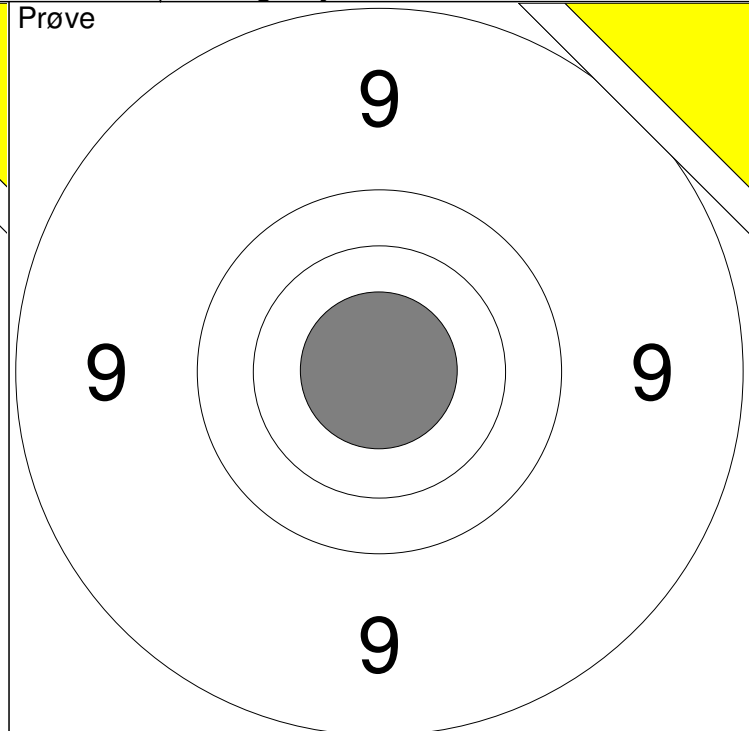
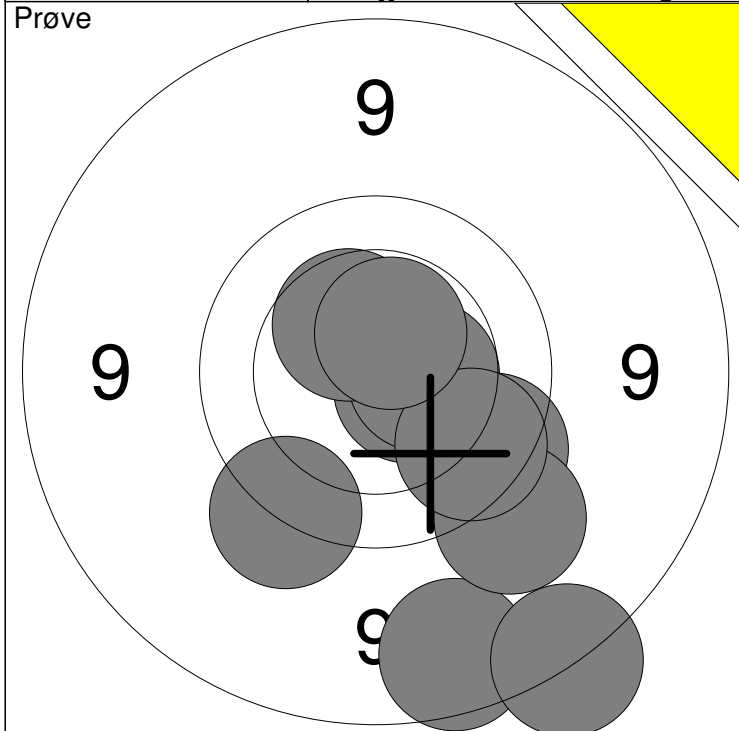
1:	9.6	↘
2:	10.0	↙
3:	9.6	↗
4:	9.4	↘
5:	9.6	←
6:	9.7	←
7:	10.2	↗
Serie	65.0	
Total	0.0	



1:	8.9	↙
2:	9.4	←
3:	9.4	↘
4:	10.0	↘
5:	10.6x	←
6:	9.1	↙
7:	9.3	↘
8:	9.7	↗
9:	9.7	→
10:	9.3	↗
Serie	91.0	
Total	91.0	

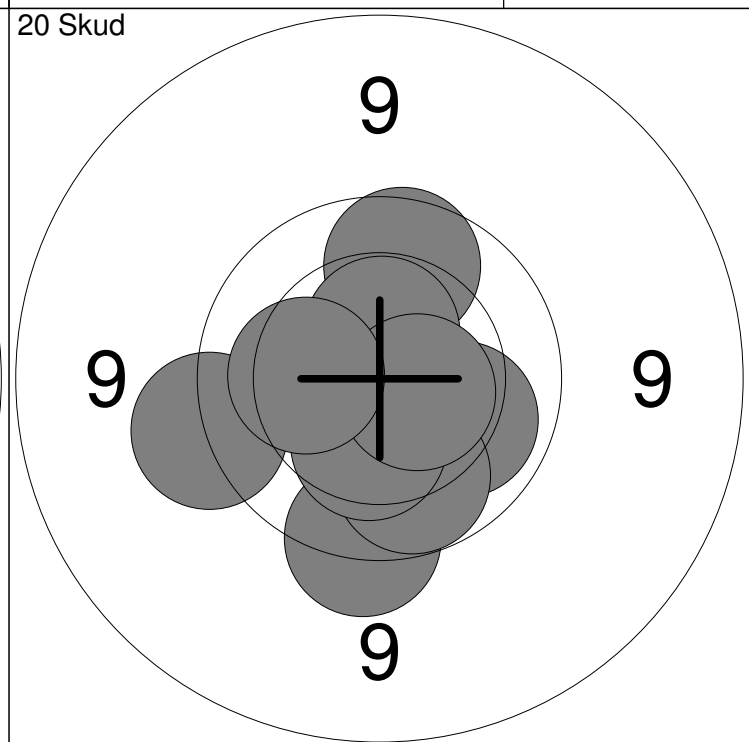
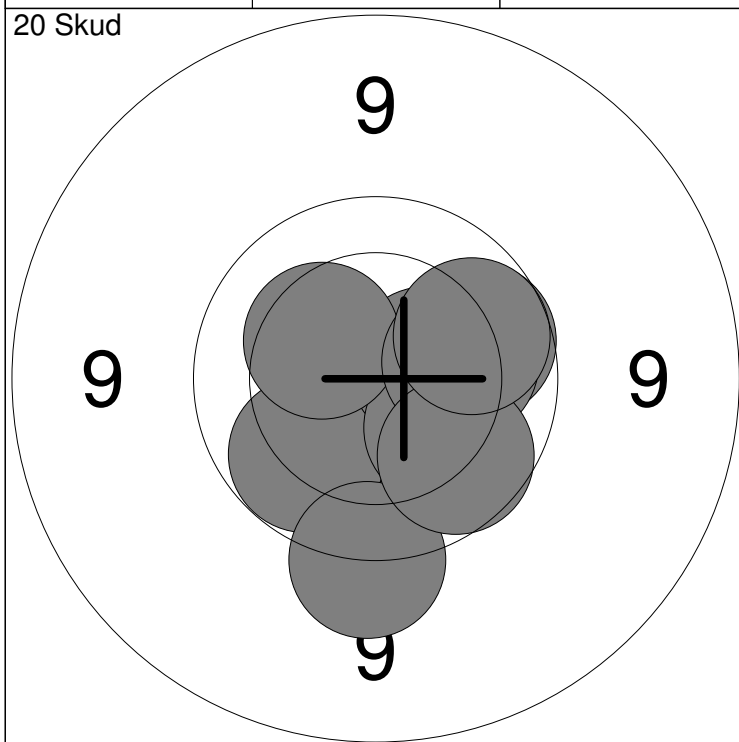


11:	9.8	↑
12:	10.5	↙
13:	8.9	↙
14:	9.8	↗
15:	9.9	←
16:	9.5	↙
17:	9.6	↘
18:	8.9	↗
19:	10.4	↙
20:	9.9	↑
Serie	90.0	
Total	181.0	



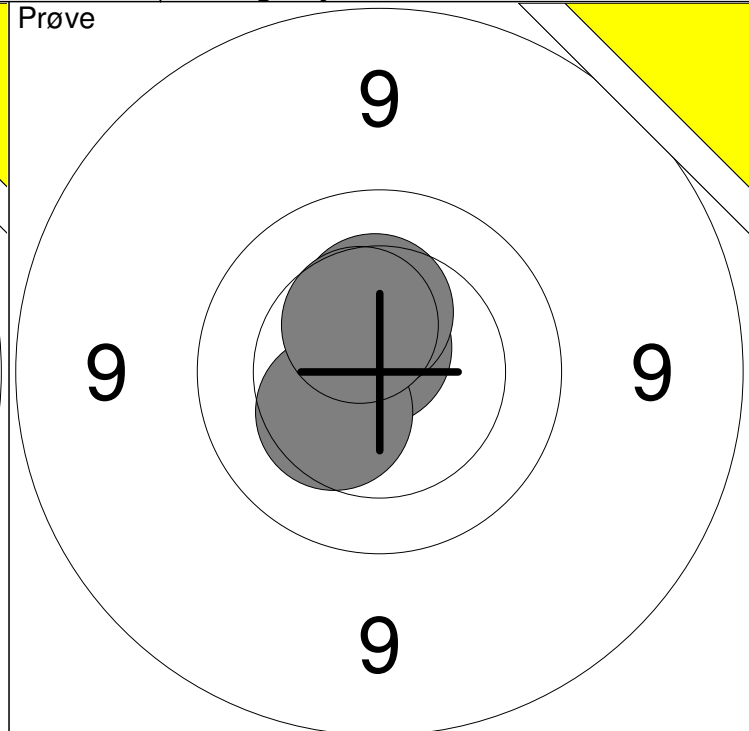
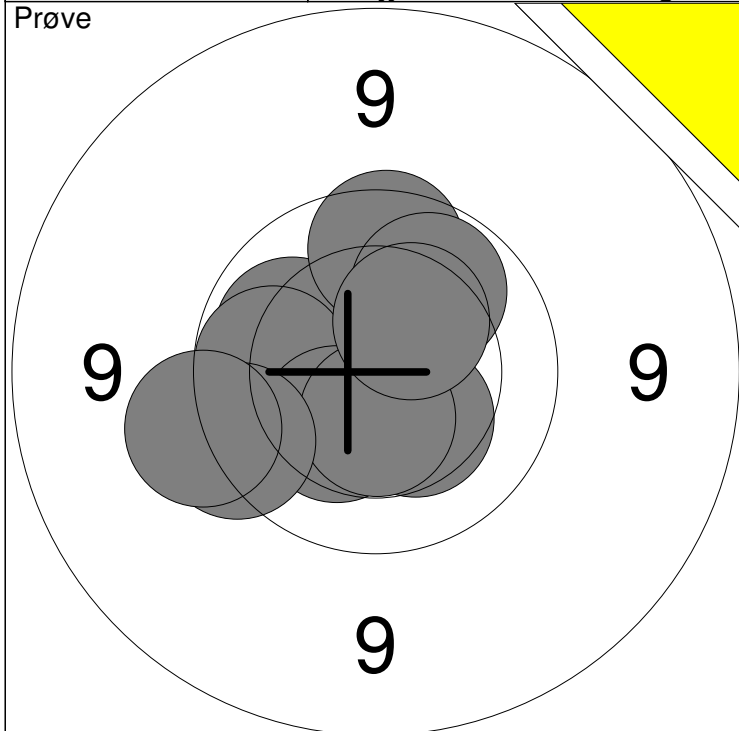
1: 9.7 ↘	6: 10.6x ↘	Serie	92
2: 8.9 ↘	7: 10.5 →		
3: 9.6 ↙	8: 10.4 ↗	Total	0
4: 8.7 ↘	9: 9.8 ↘		
5: 9.4 ↘	10: 10.5x ↗		

11: 10.9x ↖		Serie	10
		Total	0



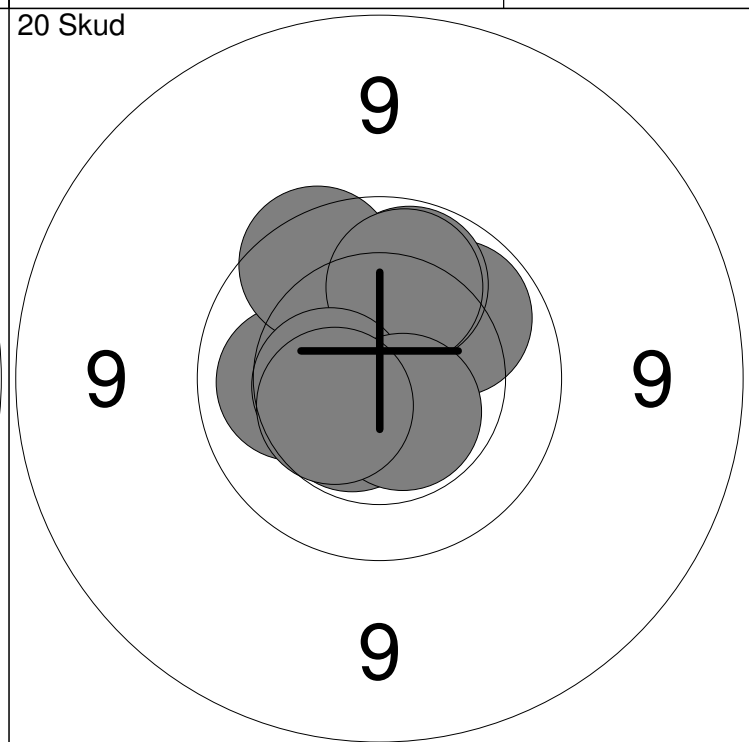
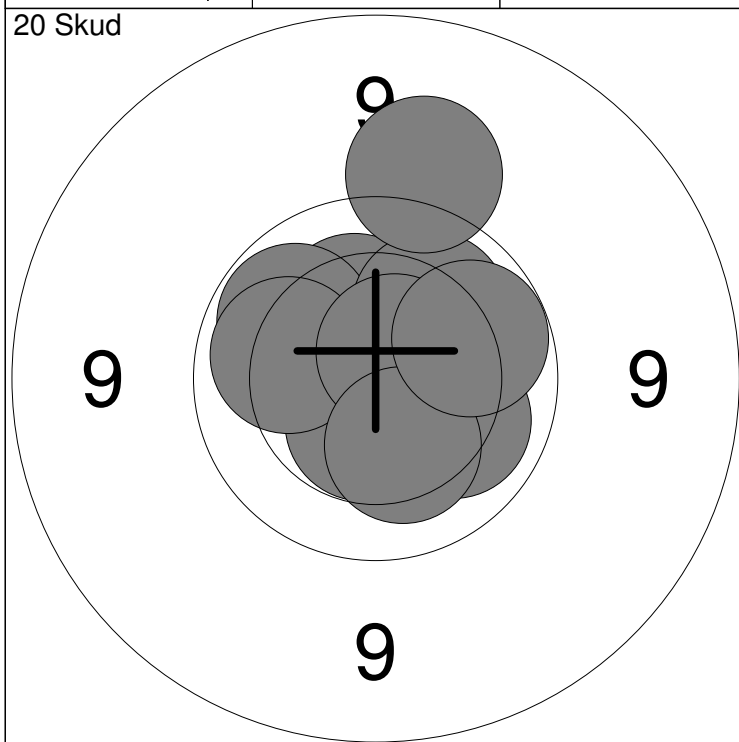
1: 10.7x ↙	6: 10.2 ↘	Serie	96
2: 10.0 ↙	7: 10.3 ↗		
3: 9.5 ↓	8: 10.1 →	Total	96
4: 9.9 →	9: 9.9 ↘		
5: 10.4 →	10: 9.9 →		

11: 9.6 ↓	16: 10.5x ↗	Serie	97
12: 9.5 ←	17: 10.0 ↘		
13: 9.9 ↗	18: 10.3 ↘	Total	193
14: 10.8x ↗	19: 10.6x →		
15: 10.1 ↘	20: 10.2 ←		



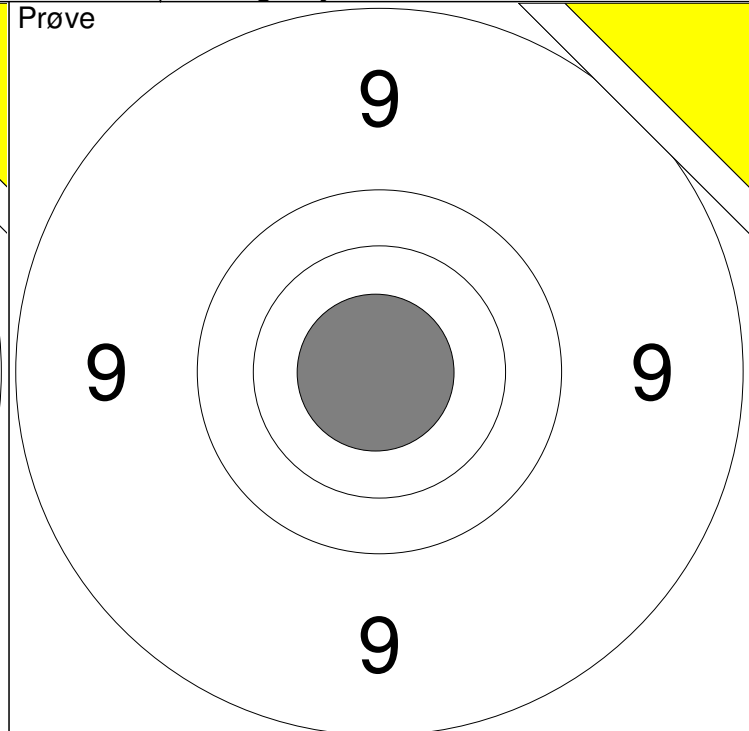
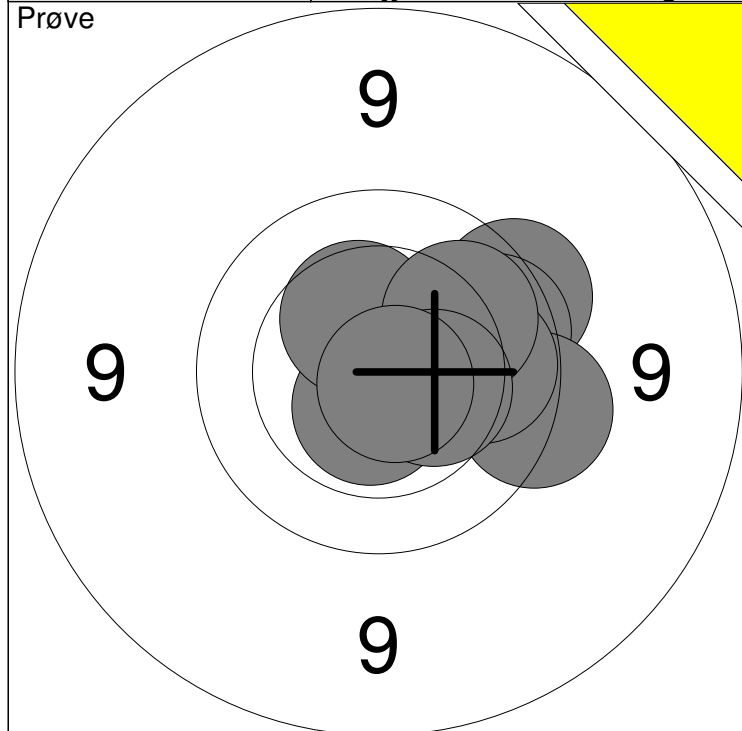
1: 10.1 ↖	6: 9.7 ↙	Serie	97
2: 10.0 ←	7: 9.8 ↑		
3: 10.4 ↘	8: 9.5 ↖	Total	0
4: 10.3 ↙	9: 10.0 ↗		
5: 10.5x ↓	10: 10.4 ↗		

11: 10.7x ↑	Serie	40
12: 10.4 ↑		
13: 10.4 ↙	Total	0
14: 10.5 ↗		



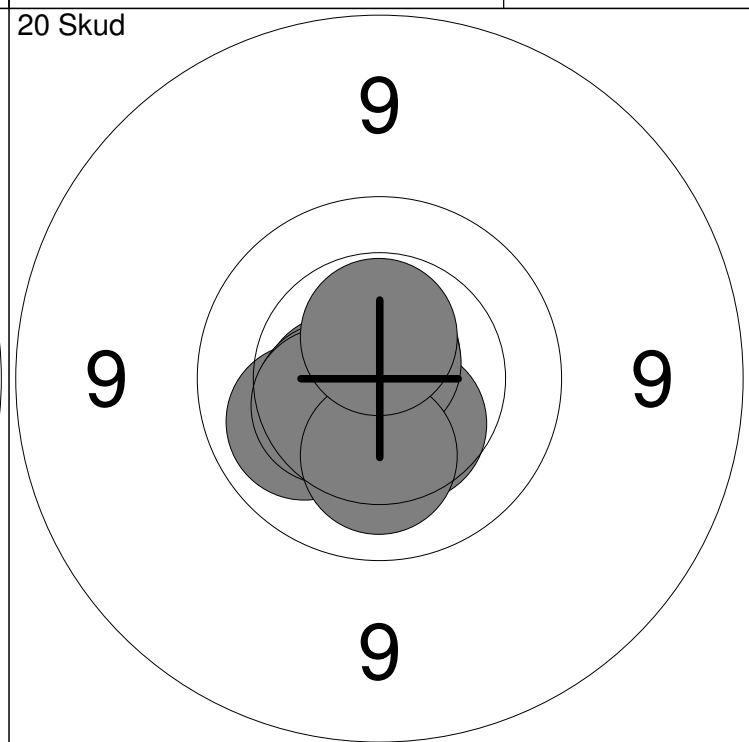
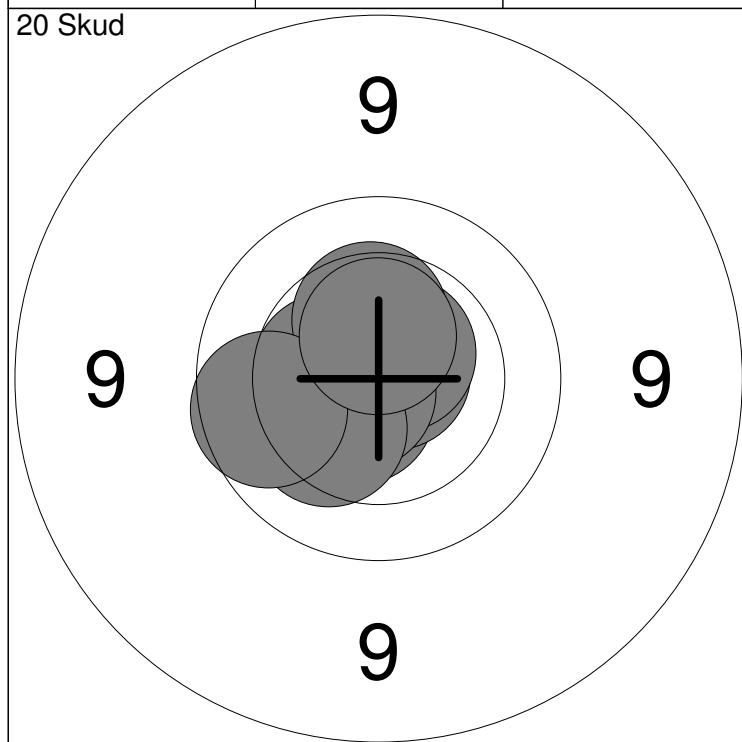
1: 10.3 ↑	6: 10.1 ↗	Serie	99
2: 10.5x ↓	7: 9.4 ↑		
3: 10.0 ↖	8: 10.6x ↗	Total	99
4: 10.1 ↘	9: 10.3 ↓		
5: 10.1 ←	10: 10.0 ↗		

11: 10.0 ↗	16: 9.8 ↑	Serie	99
12: 10.5 ↑	17: 10.0 ↑		
13: 10.5x ↙	18: 10.5 ←	Total	198
14: 10.0 ↑	19: 10.6x ↓		
15: 10.1 ←	20: 10.4 ↙		



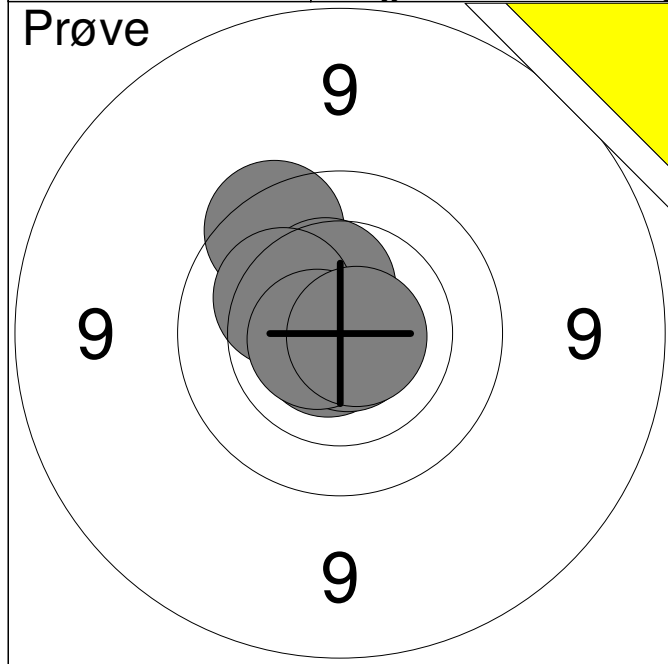
1: 9.7 →	6: 10.0 →	Serie	97
2: 10.8x ↑	7: 10.4 ↗		
3: 10.6x ↓	8: 10.0 ↗	Total	0
4: 9.9 →	9: 10.4 →		
5: 9.6 →	10: 10.7x ↘		

11: 10.9x ←		Serie	10
		Total	0

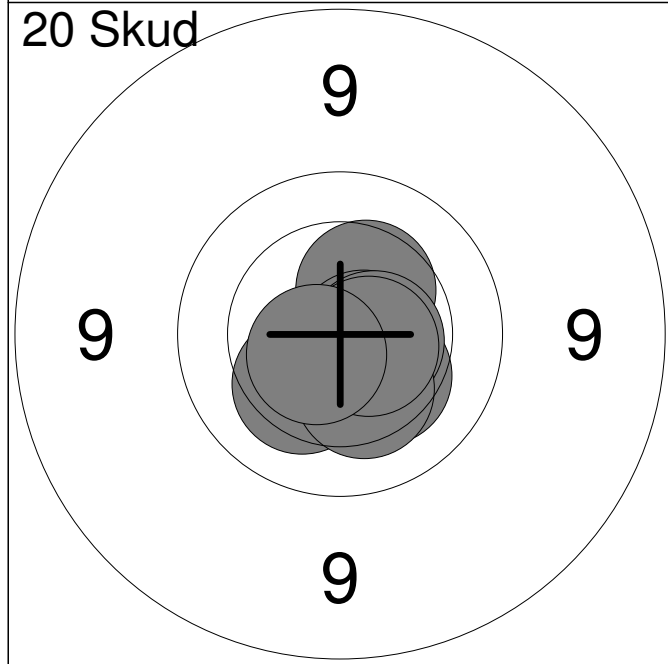


1: 10.5 ↙	6: 10.7x ↙	Serie	99
2: 10.6x ↙	7: 10.3 ↙		
3: 10.8x ↗	8: 10.4 ↑	Total	99
4: 10.6x ↗	9: 9.9 ←		
5: 10.5 ←	10: 10.5x ↑		

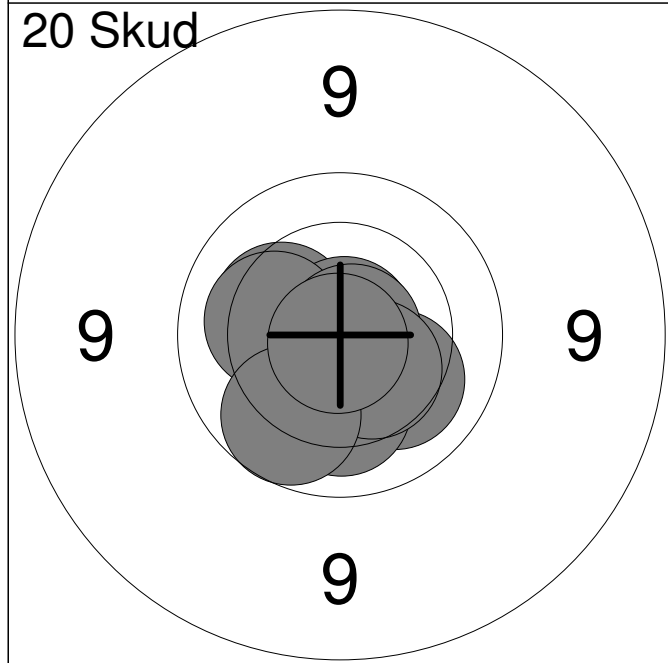
11: 10.7x ↓	16: 10.4 ←	Serie	100
12: 10.5x ←	17: 10.8x ↑		
13: 10.7x ↑	18: 10.4 ←	Total	199
14: 10.1 ←	19: 10.2 ↓		
15: 10.4 ↘	20: 10.6x ↑		



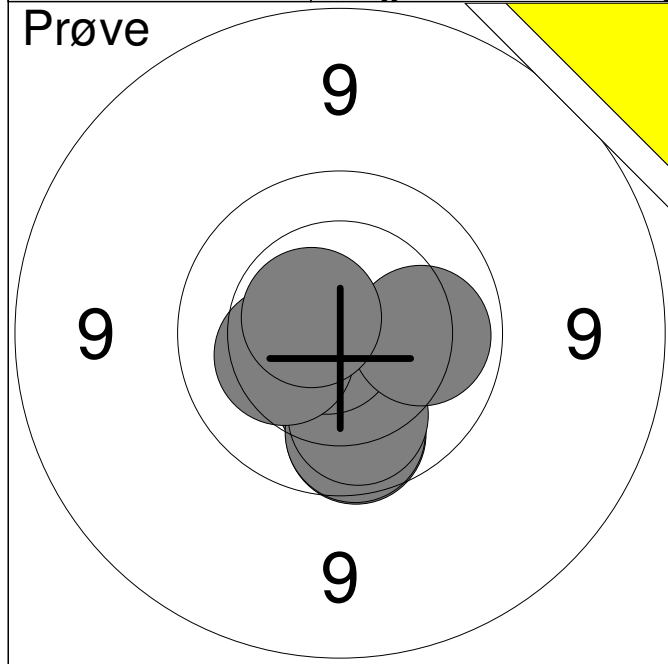
1:	10.8x	↙
2:	9.8	↗
3:	10.4	↗
4:	10.2	↗
5:	10.8x	↘
6:	10.7x	↖
7:	10.8x	↘
Serie		69.0
Total		0.0



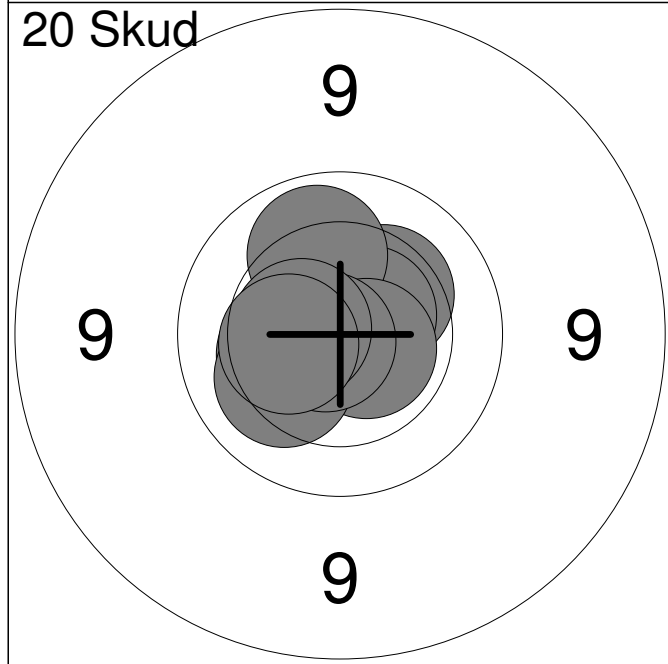
1:	10.7x	↘
2:	10.3	↘
3:	10.8x	↘
4:	10.3	↘
5:	10.4	↗
6:	10.7x	↘
7:	10.6x	↘
8:	10.3	↘
9:	10.6x	↘
10:	10.6x	↙
Serie		100.0
Total		100.0



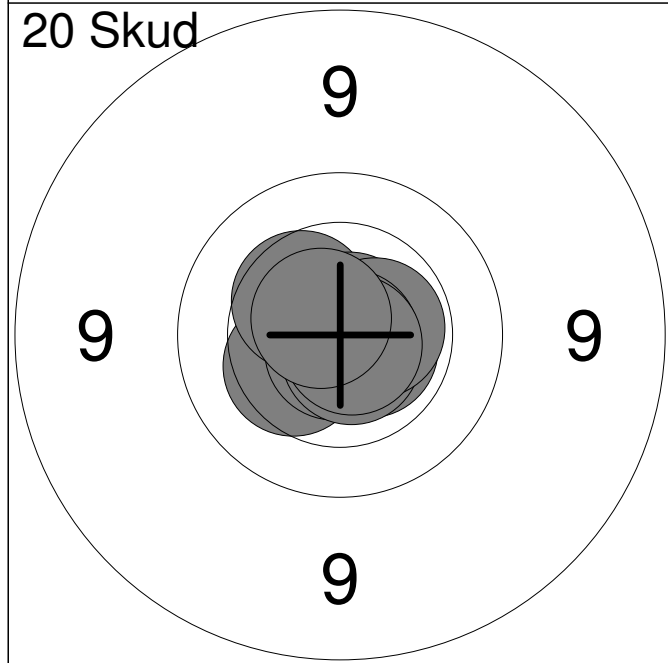
11:	10.2	↘
12:	10.2	↘
13:	10.3	↗
14:	10.8x	↗
15:	10.2	↖
16:	10.8x	↘
17:	10.8x	↘
18:	10.4	↘
19:	9.9	↘
20:	10.9x	↘
Serie		99.0
Total		199.0



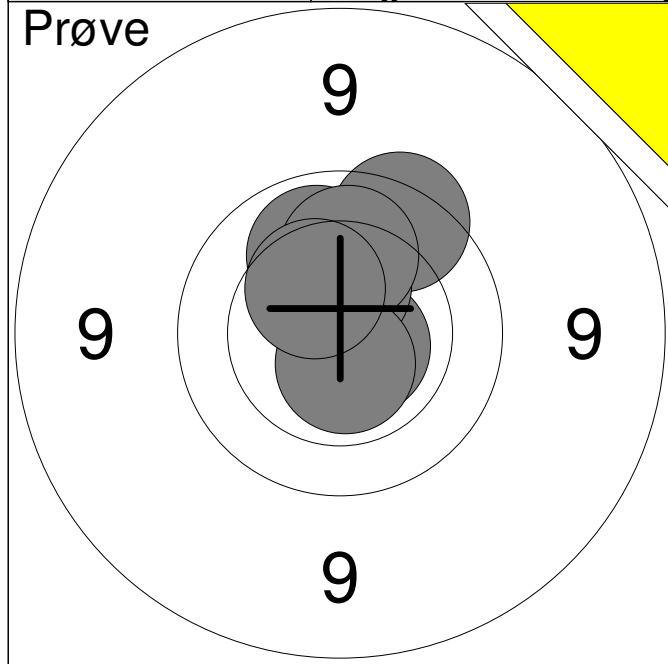
1:	10.3	↓
2:	9.9	↓
3:	9.9	↓
4:	10.1	↓
5:	10.8x	↙
6:	10.3	↙
7:	10.1	→
8:	10.6x	↗
Serie		78.0
Total		0.0



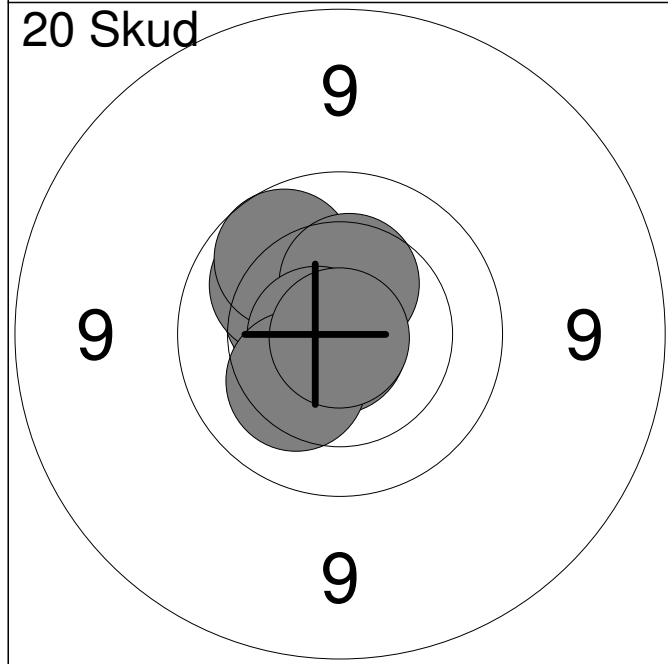
1:	10.7x	↑
2:	10.3	↗
3:	10.6x	↗
4:	10.3	↙
5:	10.1	↑
6:	10.6x	↘
7:	10.2	↙
8:	10.8x	↙
9:	10.5x	↙
10:	10.4	↙
Serie		100.0
Total		100.0



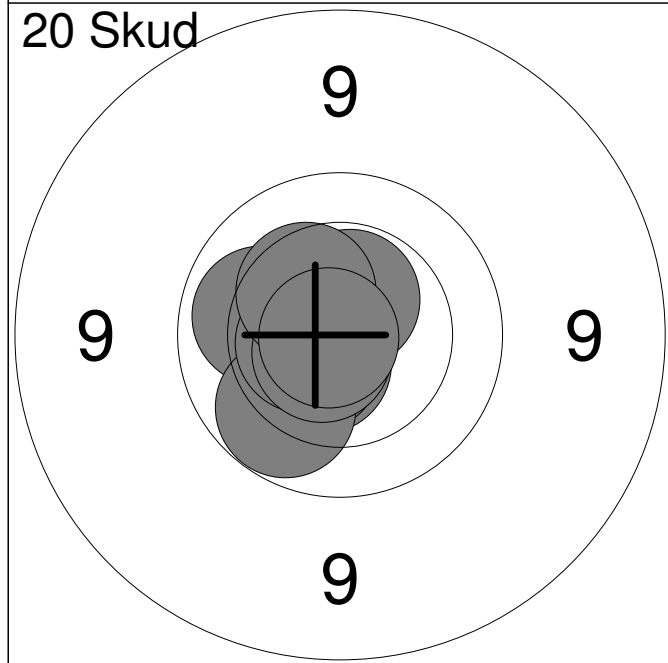
11:	10.6x	↘
12:	10.3	↙
13:	10.4	↗
14:	10.8x	↗
15:	10.8x	↓
16:	10.7x	↓
17:	10.6x	→
18:	10.8x	↘
19:	10.8x	↓
20:	10.7x	↗
Serie		100.0
Total		200.0



1:	9.7	↗
2:	10.1	↑
3:	10.7x	↘
4:	10.4	↑
5:	10.1	↑
6:	10.6x	↘
7:	10.4	↗
Serie		69.0
Total		0.0



1:	10.3	↗
2:	10.5x	←
3:	10.8x	↘
4:	10.4	↗
5:	10.1	↗
6:	9.9	↗
7:	10.4	↑
8:	10.7x	←
9:	10.3	↘
10:	10.9x	↘
Serie		99.0
Total		99.0

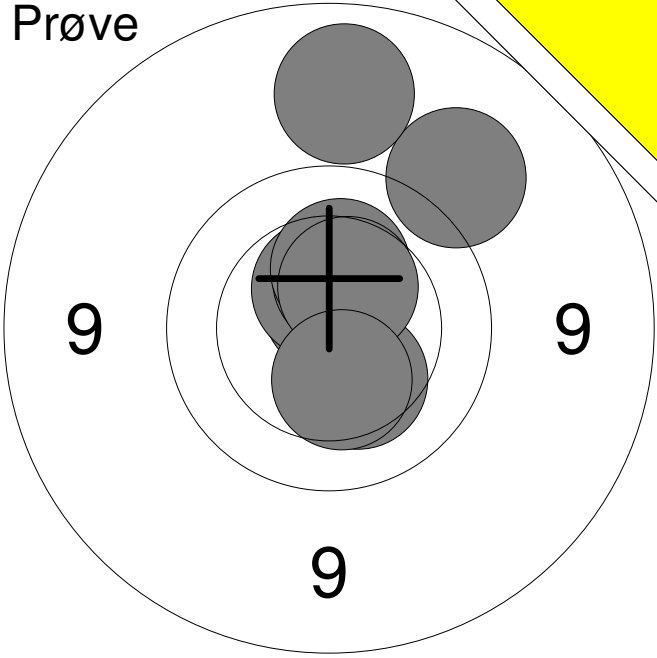
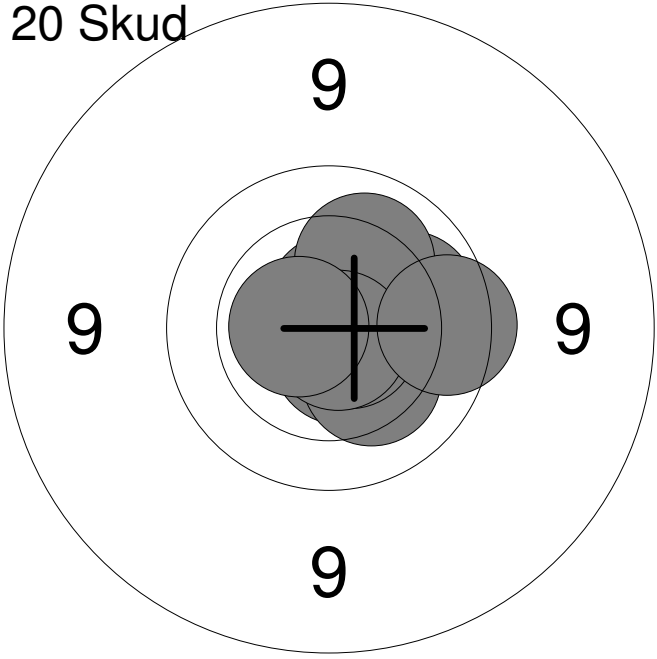
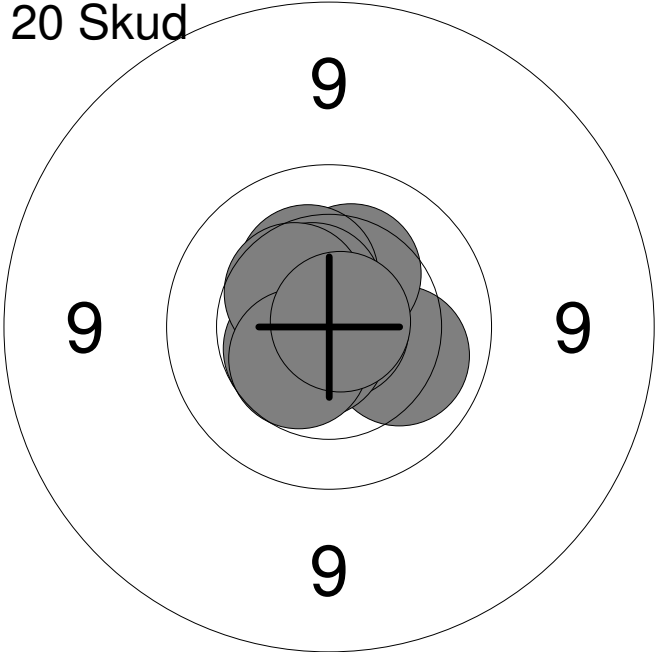


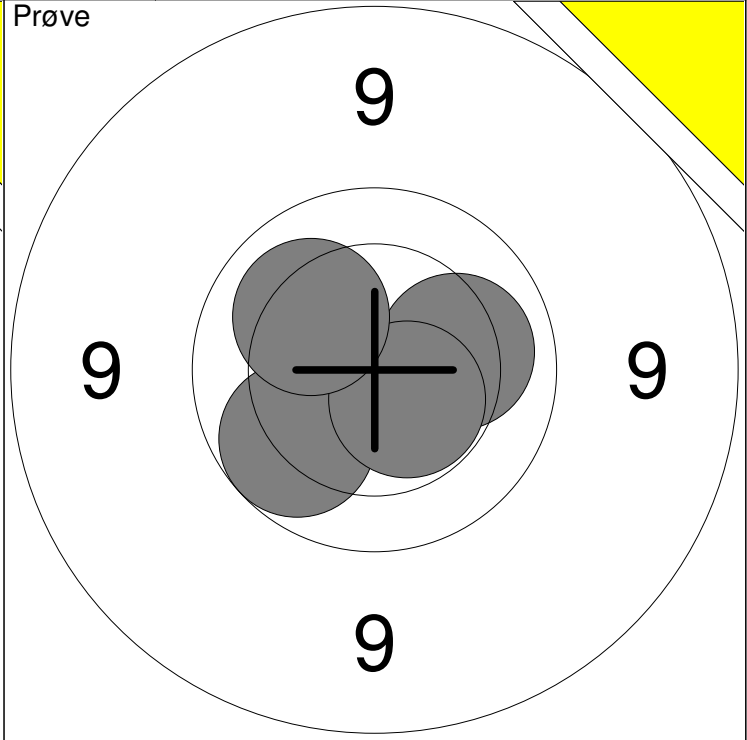
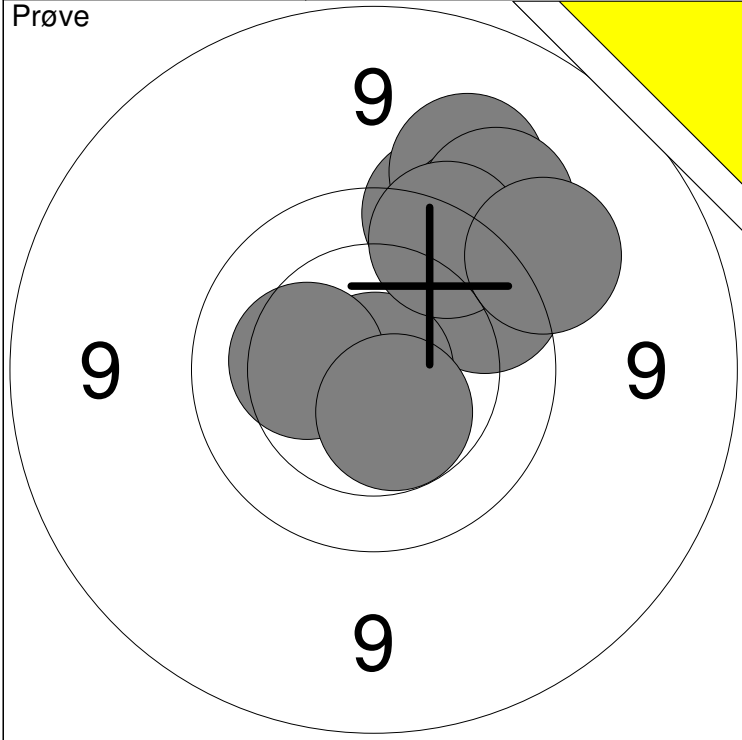
11:	10.7x	↑
12:	10.5x	↑
13:	10.6x	↘
14:	10.5x	↘
15:	10.1	←
16:	10.0	↘
17:	10.6x	←
18:	10.7x	↘
19:	10.4	↗
20:	10.8x	←
Serie		100.0
Total		199.0

<p>Prøve</p>	<table style="width:100%; border-collapse: collapse;"> <tr><td style="width:10%;">1:</td><td style="width:40%;">10.0</td><td style="width:50%; text-align: right;">↗</td></tr> <tr><td>2:</td><td>10.0</td><td style="text-align: right;">↑</td></tr> <tr><td>3:</td><td>9.7</td><td style="text-align: right;">↗</td></tr> <tr><td>4:</td><td>9.8</td><td style="text-align: right;">↗</td></tr> <tr><td>5:</td><td>10.0</td><td style="text-align: right;">↗</td></tr> <tr><td>6:</td><td>9.8</td><td style="text-align: right;">↑</td></tr> <tr><td>7:</td><td>10.3</td><td style="text-align: right;">↗</td></tr> <tr><td>8:</td><td>10.5x</td><td style="text-align: right;">↗</td></tr> </table>	1:	10.0	↗	2:	10.0	↑	3:	9.7	↗	4:	9.8	↗	5:	10.0	↗	6:	9.8	↑	7:	10.3	↗	8:	10.5x	↗
1:	10.0	↗																							
2:	10.0	↑																							
3:	9.7	↗																							
4:	9.8	↗																							
5:	10.0	↗																							
6:	9.8	↑																							
7:	10.3	↗																							
8:	10.5x	↗																							
<table style="width:100%; border-collapse: collapse;"> <tr> <td style="width:50%;">Serie</td> <td style="width:50%; text-align: right;">77.0</td> </tr> </table>		Serie	77.0																						
Serie	77.0																								
<table style="width:100%; border-collapse: collapse;"> <tr> <td style="width:50%;">Total</td> <td style="width:50%; text-align: right;">0.0</td> </tr> </table>		Total	0.0																						
Total	0.0																								

<p>20 Skud</p>	<table style="width:100%; border-collapse: collapse;"> <tr><td style="width:10%;">1:</td><td style="width:40%;">10.3</td><td style="width:50%; text-align: right;">→</td></tr> <tr><td>2:</td><td>10.8x</td><td style="text-align: right;">↗</td></tr> <tr><td>3:</td><td>10.4</td><td style="text-align: right;">→</td></tr> <tr><td>4:</td><td>10.3</td><td style="text-align: right;">↘</td></tr> <tr><td>5:</td><td>9.8</td><td style="text-align: right;">↗</td></tr> <tr><td>6:</td><td>10.1</td><td style="text-align: right;">↖</td></tr> <tr><td>7:</td><td>10.4</td><td style="text-align: right;">→</td></tr> <tr><td>8:</td><td>9.9</td><td style="text-align: right;">→</td></tr> <tr><td>9:</td><td>10.6x</td><td style="text-align: right;">↘</td></tr> <tr><td>10:</td><td>10.0</td><td style="text-align: right;">→</td></tr> </table>	1:	10.3	→	2:	10.8x	↗	3:	10.4	→	4:	10.3	↘	5:	9.8	↗	6:	10.1	↖	7:	10.4	→	8:	9.9	→	9:	10.6x	↘	10:	10.0	→
1:	10.3	→																													
2:	10.8x	↗																													
3:	10.4	→																													
4:	10.3	↘																													
5:	9.8	↗																													
6:	10.1	↖																													
7:	10.4	→																													
8:	9.9	→																													
9:	10.6x	↘																													
10:	10.0	→																													
<table style="width:100%; border-collapse: collapse;"> <tr> <td style="width:50%;">Serie</td> <td style="width:50%; text-align: right;">98.0</td> </tr> </table>		Serie	98.0																												
Serie	98.0																														
<table style="width:100%; border-collapse: collapse;"> <tr> <td style="width:50%;">Total</td> <td style="width:50%; text-align: right;">98.0</td> </tr> </table>		Total	98.0																												
Total	98.0																														

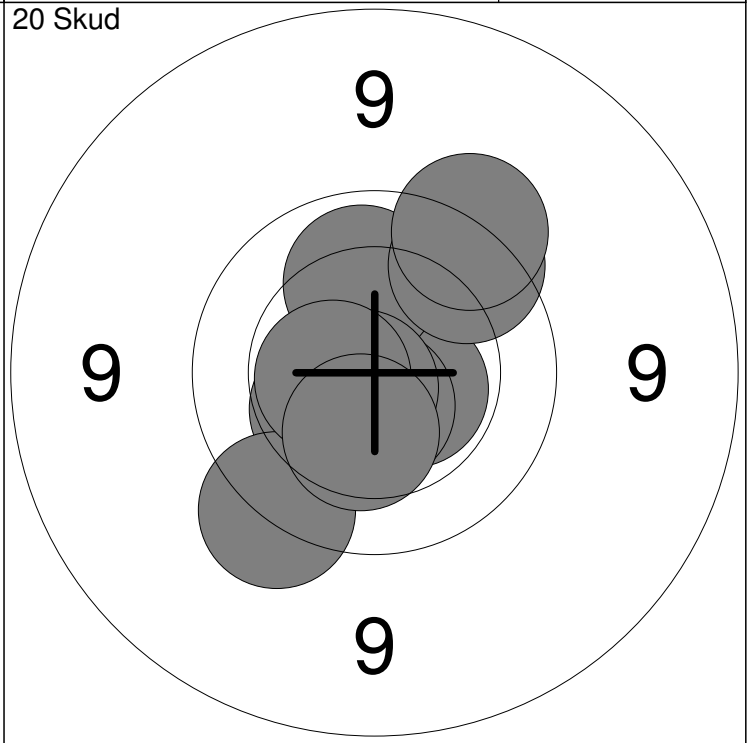
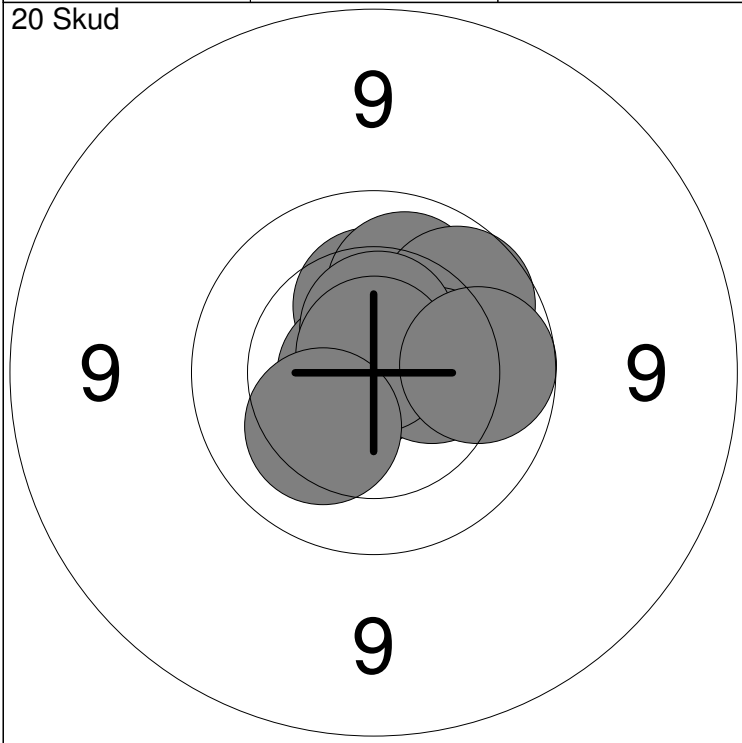
<p>20 Skud</p>	<table style="width:100%; border-collapse: collapse;"> <tr><td style="width:10%;">11:</td><td style="width:40%;">10.2</td><td style="width:50%; text-align: right;">↘</td></tr> <tr><td>12:</td><td>10.4</td><td style="text-align: right;">↘</td></tr> <tr><td>13:</td><td>9.9</td><td style="text-align: right;">↘</td></tr> <tr><td>14:</td><td>9.8</td><td style="text-align: right;">→</td></tr> <tr><td>15:</td><td>10.6x</td><td style="text-align: right;">→</td></tr> <tr><td>16:</td><td>10.0</td><td style="text-align: right;">↘</td></tr> <tr><td>17:</td><td>10.4</td><td style="text-align: right;">↘</td></tr> <tr><td>18:</td><td>10.3</td><td style="text-align: right;">→</td></tr> <tr><td>19:</td><td>10.2</td><td style="text-align: right;">↖</td></tr> <tr><td>20:</td><td>10.6x</td><td style="text-align: right;">↖</td></tr> </table>	11:	10.2	↘	12:	10.4	↘	13:	9.9	↘	14:	9.8	→	15:	10.6x	→	16:	10.0	↘	17:	10.4	↘	18:	10.3	→	19:	10.2	↖	20:	10.6x	↖
11:	10.2	↘																													
12:	10.4	↘																													
13:	9.9	↘																													
14:	9.8	→																													
15:	10.6x	→																													
16:	10.0	↘																													
17:	10.4	↘																													
18:	10.3	→																													
19:	10.2	↖																													
20:	10.6x	↖																													
<table style="width:100%; border-collapse: collapse;"> <tr> <td style="width:50%;">Serie</td> <td style="width:50%; text-align: right;">98.0</td> </tr> </table>		Serie	98.0																												
Serie	98.0																														
<table style="width:100%; border-collapse: collapse;"> <tr> <td style="width:50%;">Total</td> <td style="width:50%; text-align: right;">196.0</td> </tr> </table>		Total	196.0																												
Total	196.0																														

Hold	Skive	Dirch Pedersen	
29	6		
15m	Løgstør Sportsskytteklub	MB2	
	Nordjysk Mesterskab Ungdom	Aalborg Skyttekreds	
Prøve		1: 9.3 ↗	
		2: 9.1 ↑	
		3: 10.7x ↑	
		4: 10.5x ↑	
		5: 10.3 ↓	
		6: 10.4 ↑	
		7: 10.3 ↑	
		8: 10.5 ↑	
		9: 10.4 ↓	
		Serie	88.0
		Total	0.0
20 Skud		1: 10.6x ↓	
		2: 10.3 ↓	
		3: 10.7x ↑	
		4: 10.9x ↓	
		5: 10.1 →	
		6: 10.7x ↓	
		7: 10.2 ↑	
		8: 10.8x ↓	
		9: 9.8 →	
		10: 10.6x ←	
		Serie	99.0
		Total	99.0
20 Skud		11: 10.1 →	
		12: 10.3 ↑	
		13: 10.3 ↑	
		14: 10.5x ←	
		15: 10.8x →	
		16: 10.5x ↑	
		17: 10.7x ↓	
		18: 10.4 ↑	
		19: 10.5 ↓	
		20: 10.8x →	
		Serie	100.0
		Total	199.0



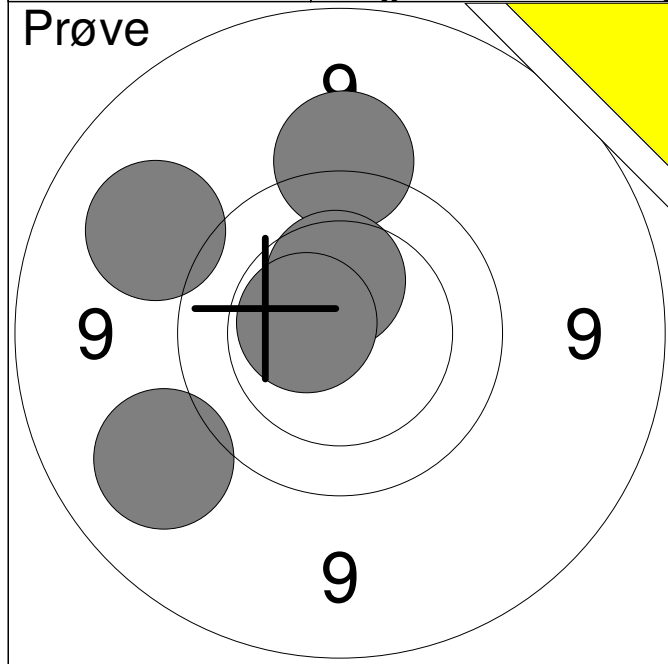
1: 9.8 ↗	6: 10.3 ←	Serie	93
2: 9.6 ↑	7: 9.4 ↗		
3: 9.3 ↑	8: 9.7 ↗	Total	0
4: 10.9x ↘	9: 9.4 ↗		
5: 9.5 ↑	10: 10.5x ↘		

11: 10.1 →	Serie	39
12: 9.9 ↙		
13: 10.5x ↘	Total	0
14: 10.2 ↖		



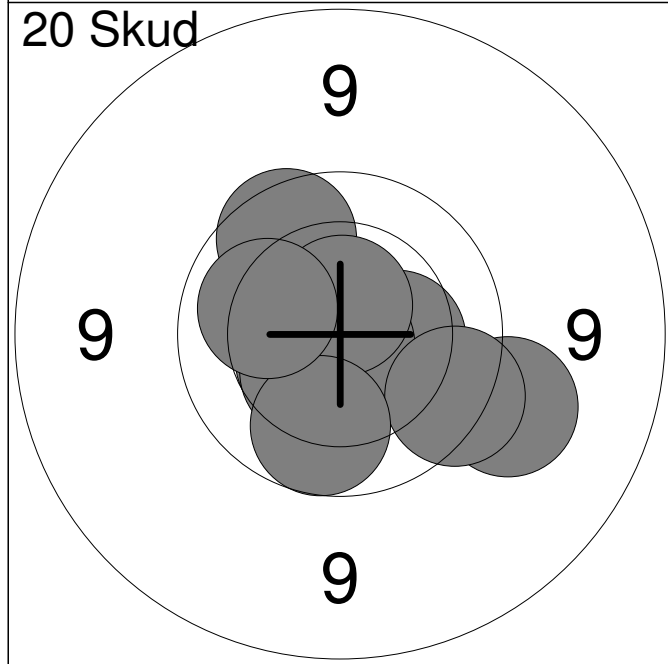
1: 10.3 ↑	6: 10.6x ↑	Serie	98
2: 10.1 ↑	7: 10.5x ↑		
3: 9.9 ↗	8: 10.8x ↑	Total	98
4: 10.8x ←	9: 9.9 →		
5: 10.4 →	10: 10.2 ↙		

11: 10.6x →	16: 10.8x ↙	Serie	97
12: 10.6x ↓	17: 9.6 ↙		
13: 10.1 ↑	18: 10.5x ←	Total	195
14: 9.7 ↗	19: 9.6 ↗		
15: 10.4 ↙	20: 10.4 ↓		



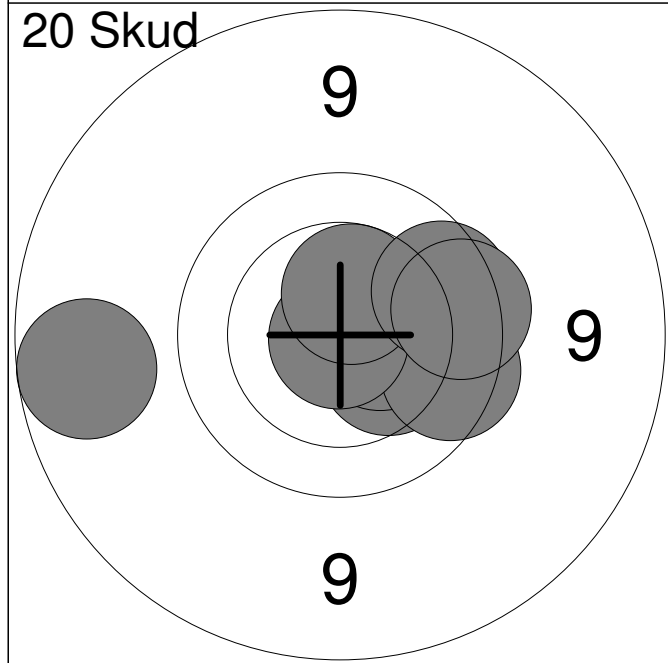
1:	9.2	↖
2:	9.2	↙
3:	9.5	↑
4:	10.4	↑
5:	10.6x	↖

Serie	47.0
Total	0.0



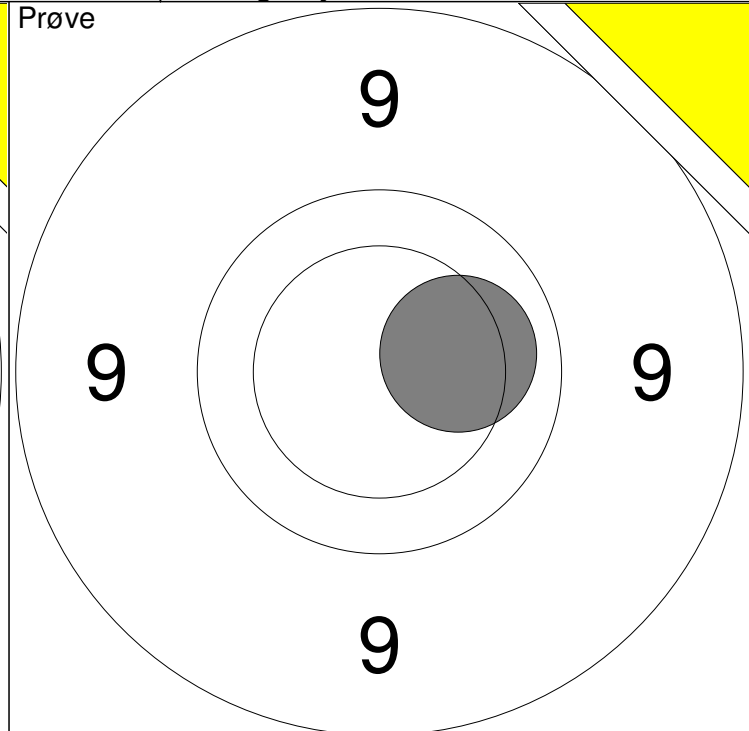
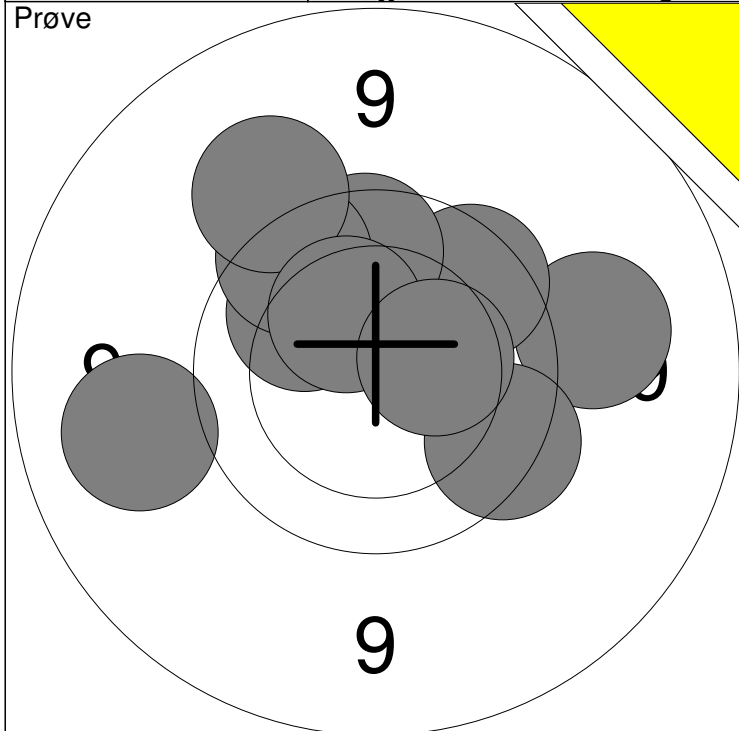
1:	9.8	↗
2:	10.3	→
3:	10.5	↙
4:	10.4	↙
5:	9.4	→
6:	10.8x	↘
7:	10.6x	↑
8:	9.7	↘
9:	9.9	↘
10:	10.1	↖

Serie	96.0
Total	96.0



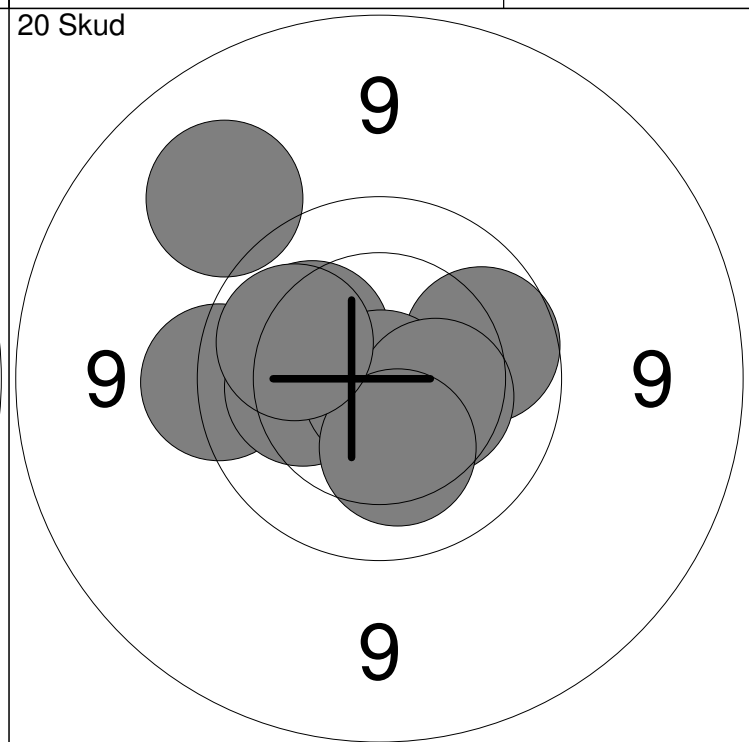
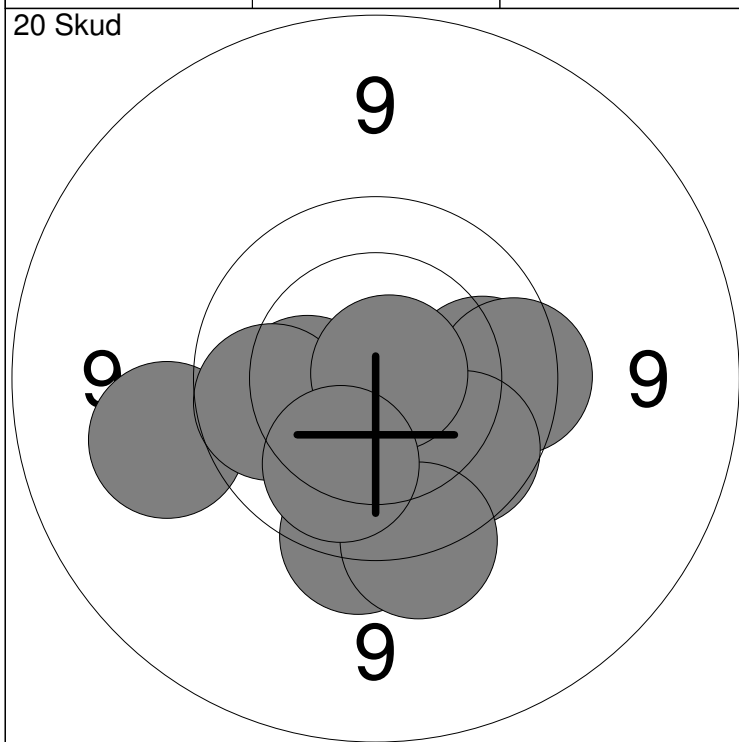
11:	10.6x	→
12:	10.3	↘
13:	10.5x	→
14:	10.7x	↗
15:	9.8	→
16:	10.9x	↘
17:	10.5	↑
18:	9.8	→
19:	9.8	→
20:	8.9	↖

Serie	95.0
Total	191.0



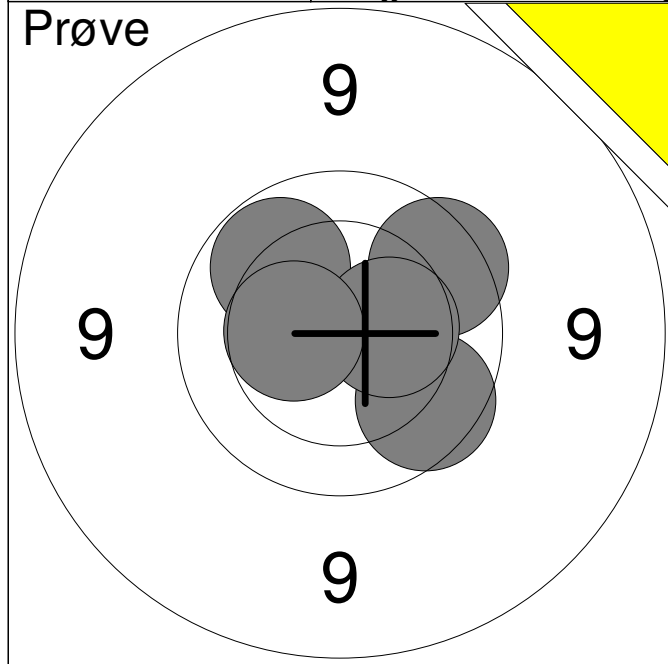
1: 9.3 →	6: 9.4 ↗	Serie 93
2: 9.8 ↗	7: 9.2 ←	
3: 10.1 ↖	8: 9.7 ↘	Total 0
4: 9.9 ↑	9: 10.3 ↗	
5: 9.7 ↖	10: 10.4 →	

11: 10.2 →	Serie 10
	Total 0

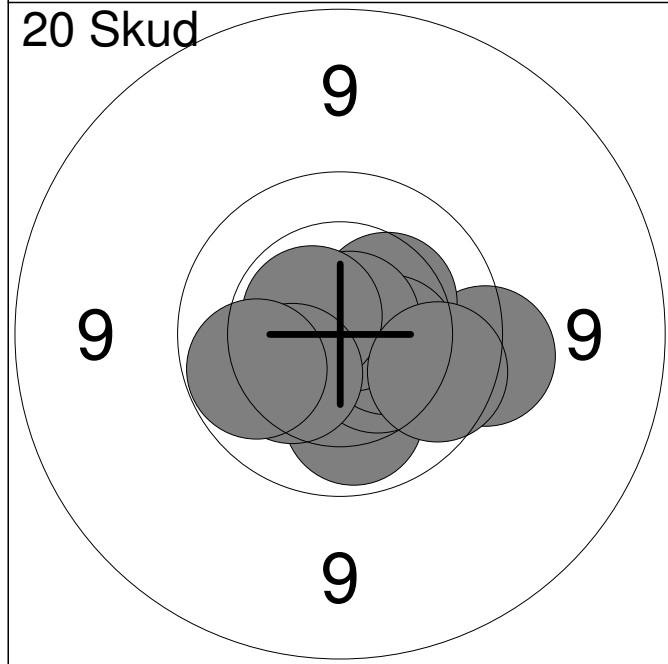


1: 9.9 →	6: 10.3 ←	Serie 93
2: 9.8 →	7: 9.6 ↓	
3: 9.9 ↘	8: 9.9 ←	Total 93
4: 9.3 ←	9: 10.8x →	
5: 9.7 ↓	10: 10.1 ↘	

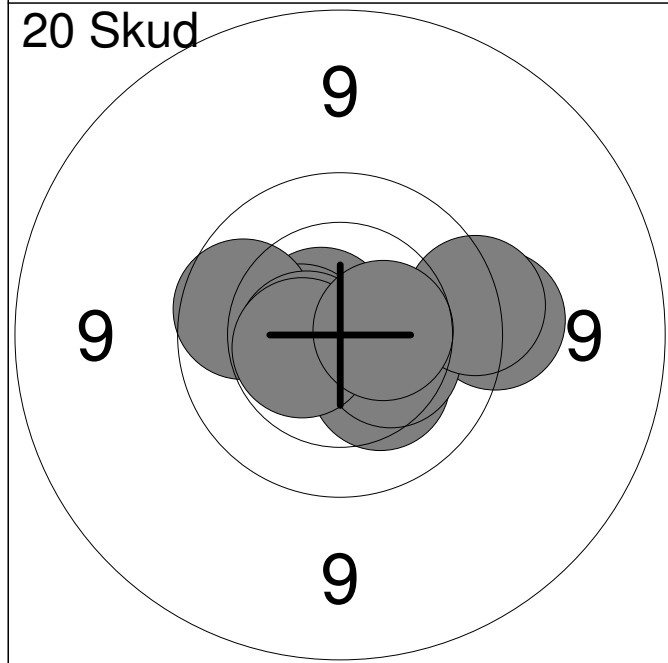
11: 9.9 →	16: 10.9x ↓	Serie 97
12: 10.1 ←	17: 10.4 →	
13: 10.2 ↖	18: 10.3 ↓	Total 190
14: 9.6 ←	19: 10.1 ↖	
15: 10.2 ←	20: 9.2 ↗	



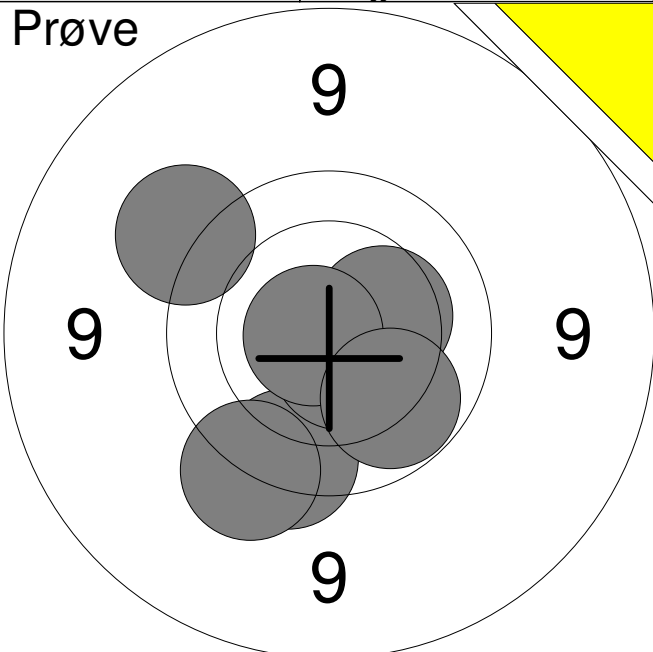
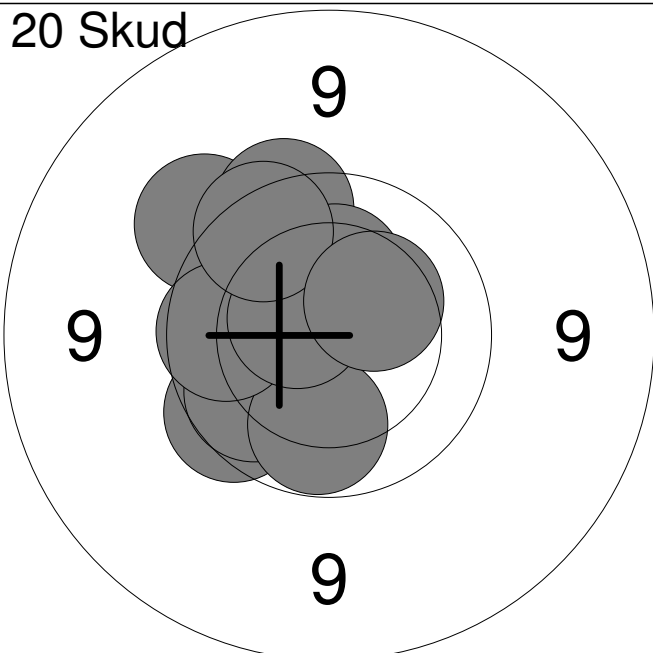
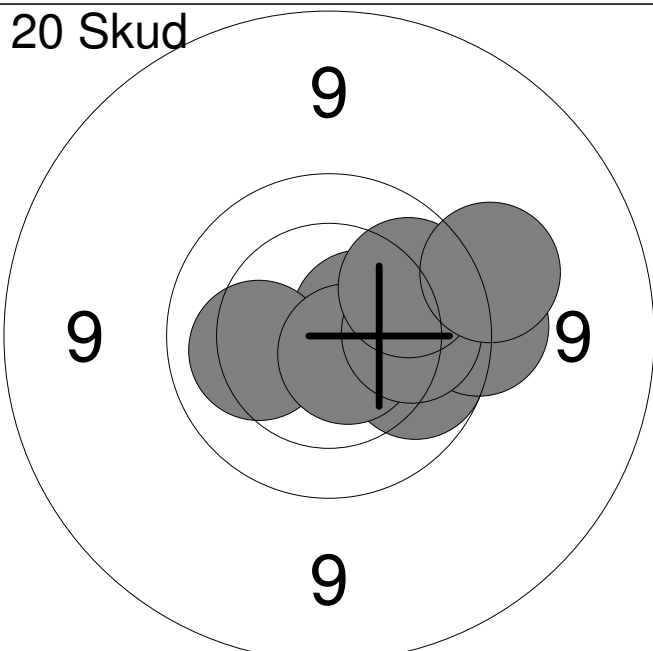
1:	10.0	↗
2:	9.8	↗
3:	9.9	↘
4:	10.4	→
5:	10.4	←
Serie		48.0
Total		0.0

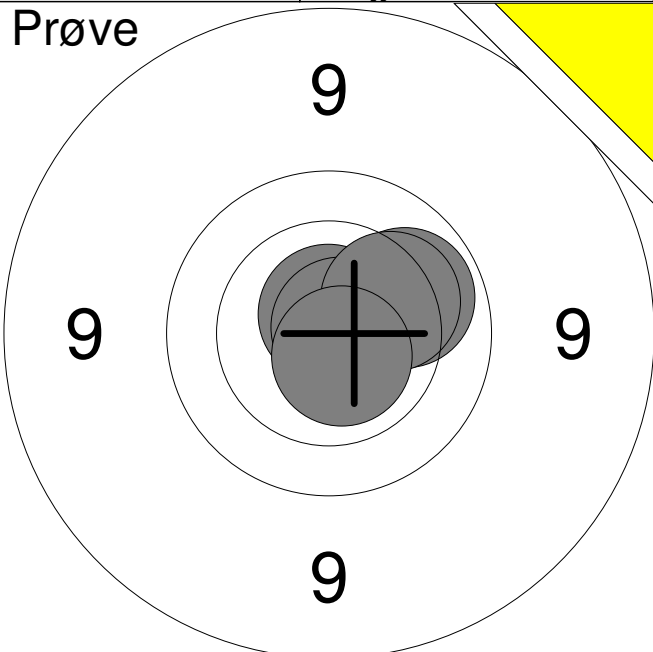
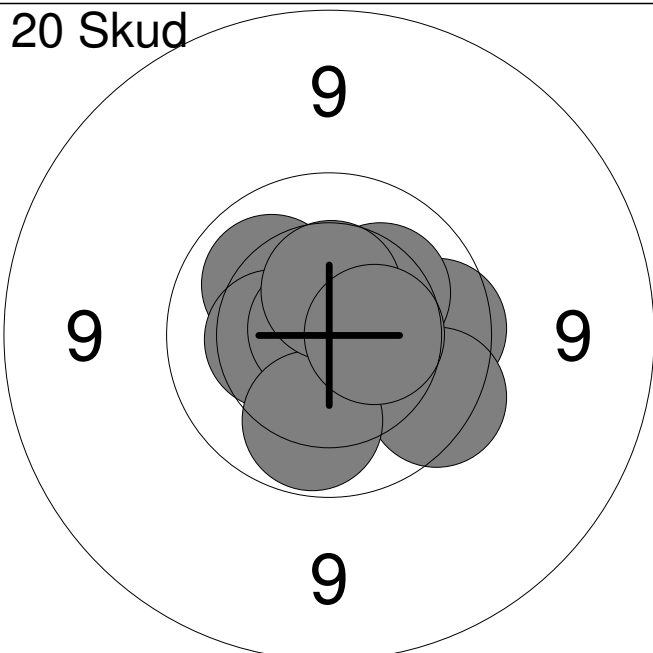
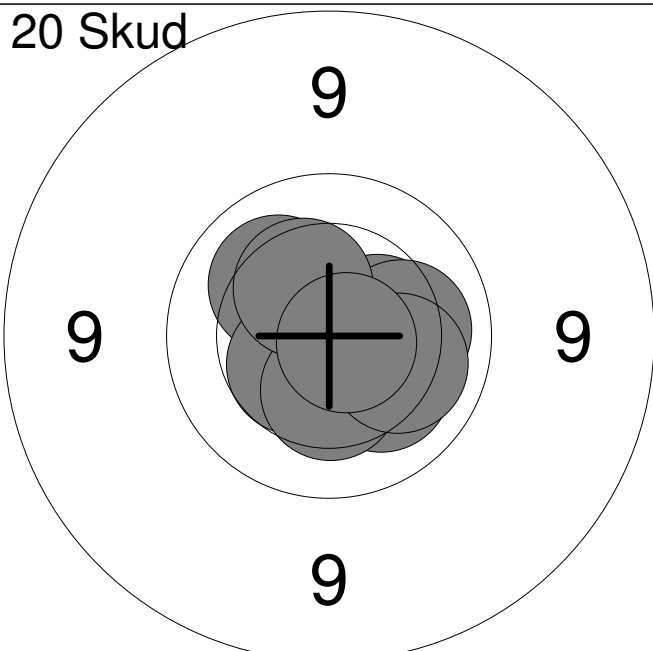


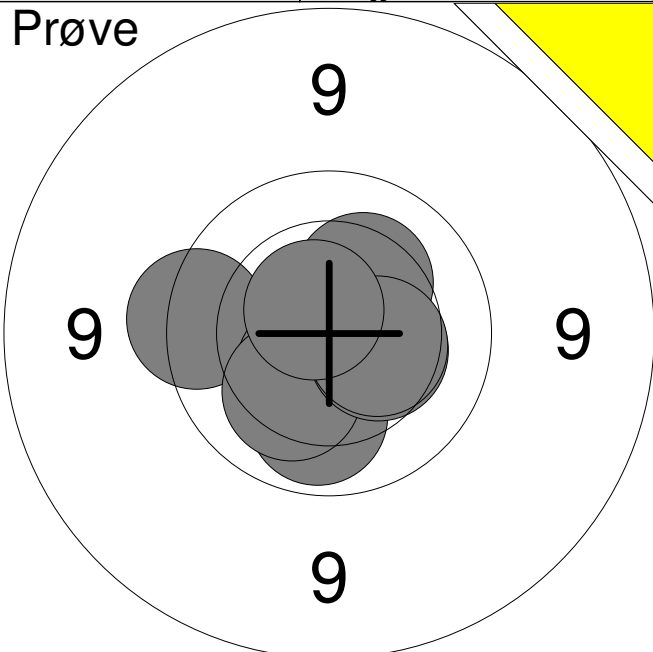
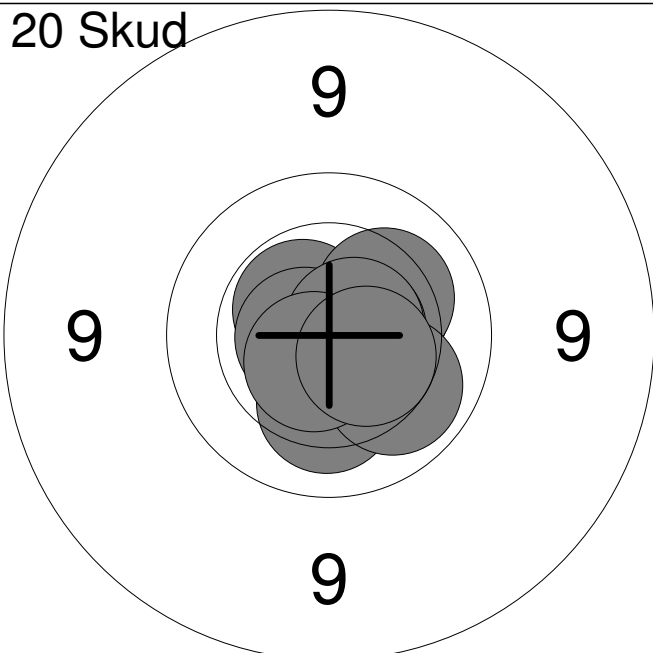
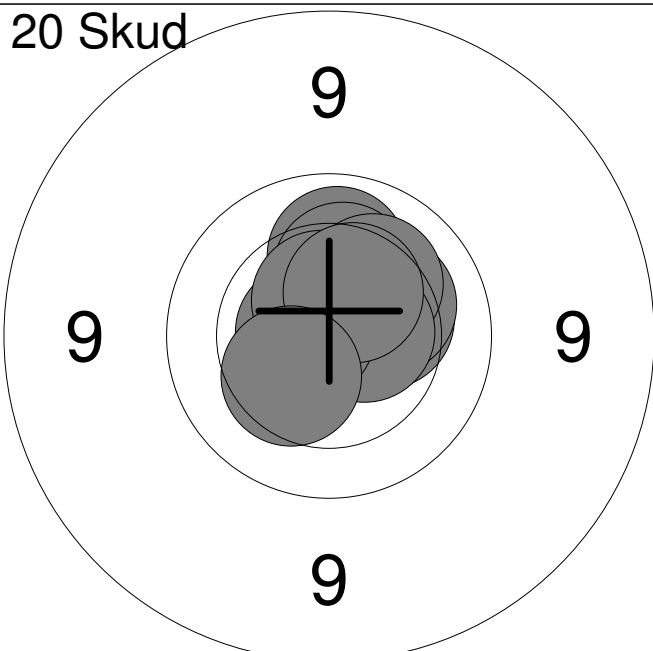
1:	9.6	→
2:	10.1	↓
3:	10.4	↓
4:	10.3	↗
5:	10.4	→
6:	10.8x	↗
7:	10.6x	↗
8:	10.3	↖
9:	10.0	←
10:	9.9	→
Serie		98.0
Total		98.0



11:	10.7x	↗
12:	10.5x	←
13:	9.9	←
14:	9.6	→
15:	10.3	↘
16:	10.3	↘
17:	10.6x	←
18:	9.7	→
19:	10.5x	←
20:	10.5	→
Serie		97.0
Total		195.0

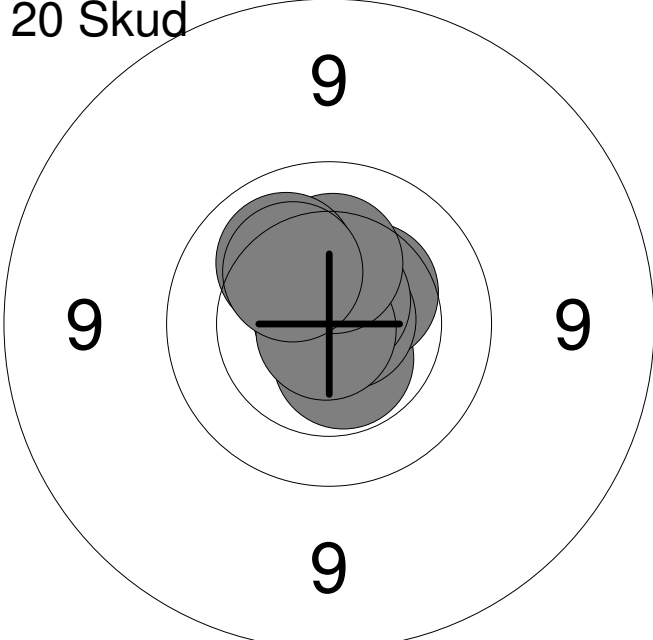
Hold	Skive	Mathias Haugaard Mikkelsen	
29	11		
15m	Hjørring Skytteforening	J2	
	Nordjysk Mesterskab Ungdom	Aalborg Skyttekreds	
Prøve		1: 9.4 ↗	
		2: 9.7 ↓	
		3: 9.5 ↘	
		4: 10.6x ↓	
		5: 10.3 →	
		6: 10.8x ←	
		7: 10.0 ↘	
		Serie	67.0
		Total	0.0
20 Skud		1: 9.8 ↙	
		2: 9.9 ↙	
		3: 10.0 ↓	
		4: 9.5 ↗	
		5: 9.7 ↑	
		6: 9.9 ←	
		7: 10.3 ↑	
		8: 10.6x ↗	
		9: 9.8 ↑	
		10: 10.3 ↗	
		Serie	94.0
		Total	94.0
20 Skud		11: 10.6x ↗	
		12: 9.9 →	
		13: 10.2 →	
		14: 9.9 →	
		15: 9.6 →	
		16: 10.2 ←	
		17: 10.7x ↘	
		18: 10.1 →	
		19: 9.9 ↗	
		20: 9.5 →	
		Serie	95.0
		Total	189.0

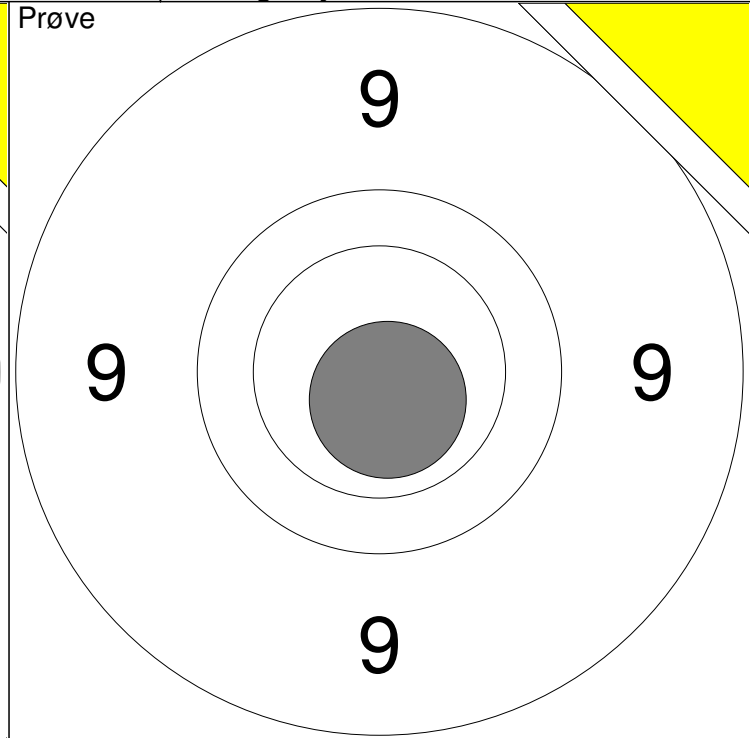
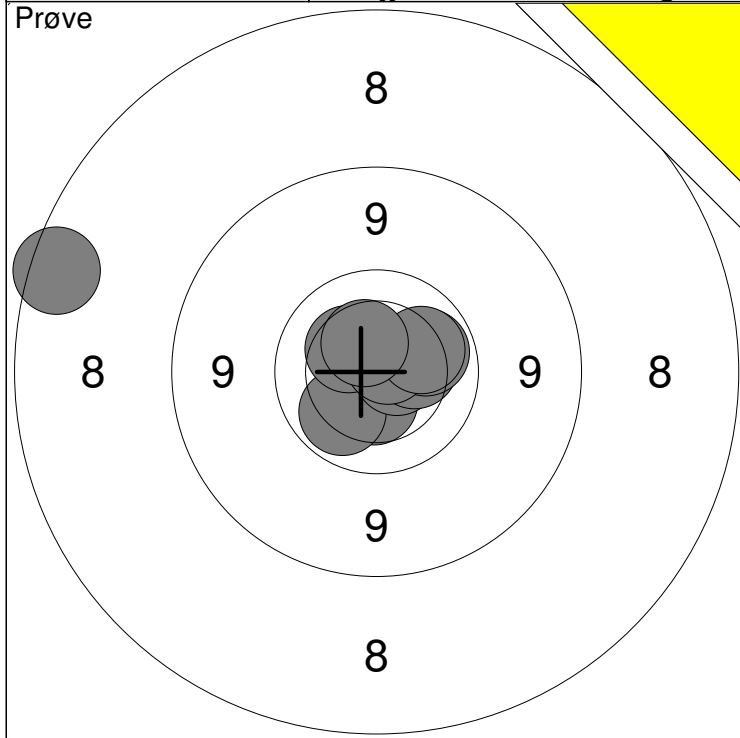
Hold 29	Skive 12	Daniel H. Pedersen	
15m		Aalborg Skyttekreds	J1
		Nordjysk Mesterskab Ungdom	Aalborg Skyttekreds
Prøve		1: 10.7x	↑
		2: 10.0	→
		3: 10.8x	→
		4: 10.2	→
		5: 10.7x	↓
		Serie	50.0
		Total	0.0
20 Skud		1: 9.9	→
		2: 10.1	↗
		3: 10.5x	↑
		4: 10.4	←
		5: 9.8	↘
		6: 10.2	↗
		7: 10.8x	↗
		8: 10.0	↓
		9: 10.5	↑
		10: 10.5	→
		Serie	98.0
		Total	98.0
20 Skud		11: 10.4	→
		12: 10.2	↗
		13: 10.6x	↓
		14: 10.2	→
		15: 10.5	↖
		16: 10.2	↘
		17: 10.4	↓
		18: 10.4	↗
		19: 10.2	↘
		20: 10.7x	↘
		Serie	100.0
		Total	198.0

Hold	Skive	Hanna Houen Jensen	
30	1	Vester Hassing Skf.	BK1
15m		Nordjysk Mesterskab Ungdom	Aalborg Skyttekreds
Prøve		1: 9.7 ←	
		2: 10.5x ↙	
		3: 10.1 ↓	
		4: 10.2 ↘	
		5: 10.4 →	
		6: 10.3 ↗	
		7: 10.4 →	
		8: 10.6x ↗	
		Serie	79.0
		Total	0.0
20 Skud		1: 10.2 ↓	
		2: 10.5x ↗	
		3: 10.3 →	
		4: 10.2 ↗	
		5: 10.7x ←	
		6: 10.7x →	
		7: 10.1 ↓	
		8: 10.7x →	
		9: 10.6x ↙	
		10: 10.5 →	
		Serie	100.0
		Total	100.0
20 Skud		11: 10.3 →	
		12: 10.2 ↗	
		13: 10.1 ↑	
		14: 10.3 ↑	
		15: 10.2 ↗	
		16: 10.6x →	
		17: 10.7x ←	
		18: 10.6x ↑	
		19: 10.4 ↗	
		20: 10.4 ↙	
		Serie	100.0
		Total	200.0

Prøve 	1:	9.9	←
	2:	10.2	↙
	3:	10.5	←
	4:	10.4	↘
	5:	10.7x	↘
	6:	10.7x	↘
	7:	10.4	→
	8:	10.4	↑
	9:	10.2	↑
	10:	10.6x	↘
	Serie		99.0
Total		0.0	

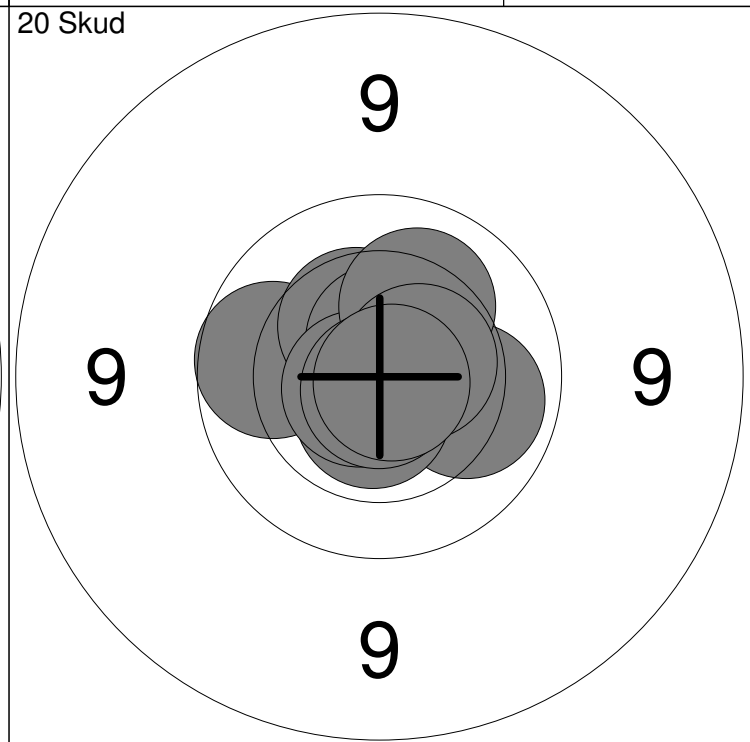
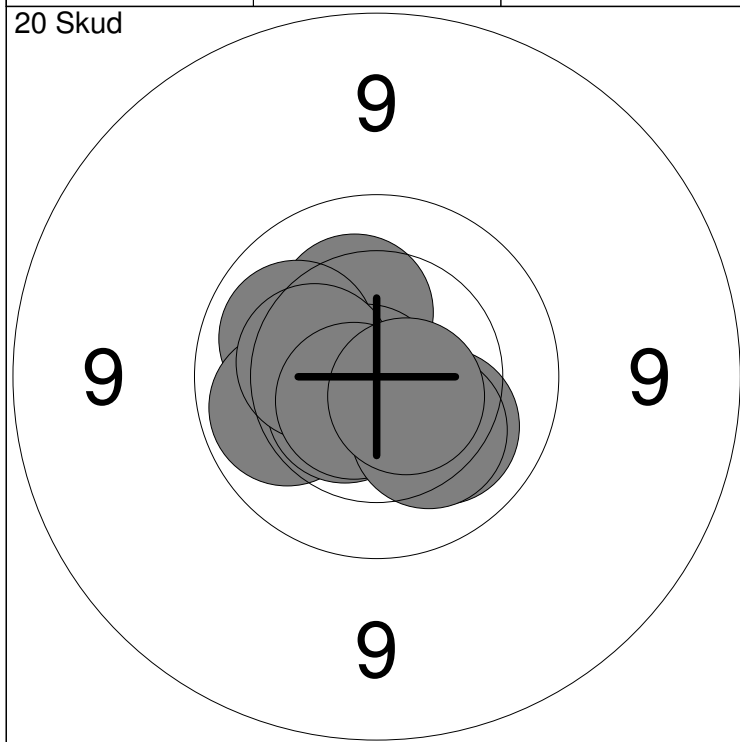
20 Skud 	1:	10.8x	↗
	2:	10.9x	↑
	3:	10.6x	←
	4:	10.2	↘
	5:	10.7x	↘
	6:	10.0	↘
	7:	10.1	←
	8:	10.4	↘
	9:	10.6x	←
	10:	10.6x	←
	Serie		100.0
Total		100.0	

20 Skud 	11:	10.5x	↘
	12:	10.4	↗
	13:	10.8x	↗
	14:	10.8x	↗
	15:	10.8x	→
	16:	10.7x	↗
	17:	10.9x	↘
	18:	10.3	↑
	19:	10.1	↗
	20:	10.3	↗
	Serie		100.0
Total		200.0	



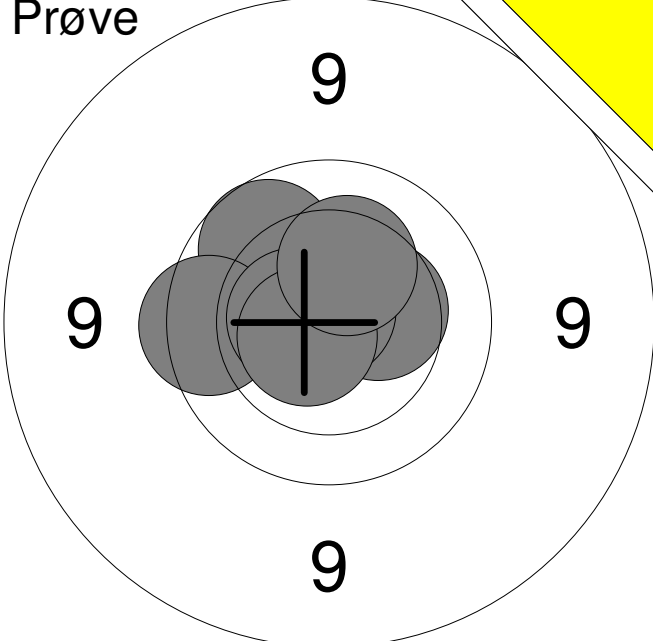
1: 7.8 ←	6: 10.3 →	Serie	97
2: 10.4 ↓	7: 10.0 →		
3: 10.0 ↙	8: 10.7x ↗	Total	0
4: 10.3 ↖	9: 10.1 →		
5: 10.6x →	10: 10.4 ↖		

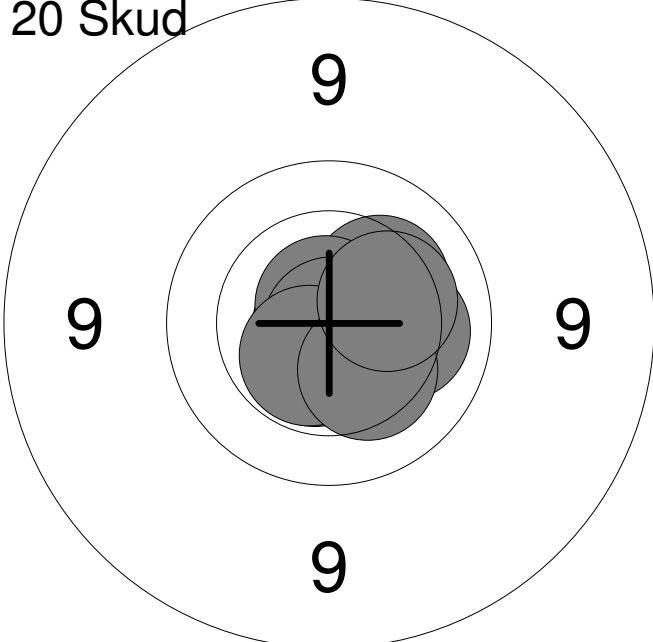
11: 10.7x ↓	Serie	10
	Total	0

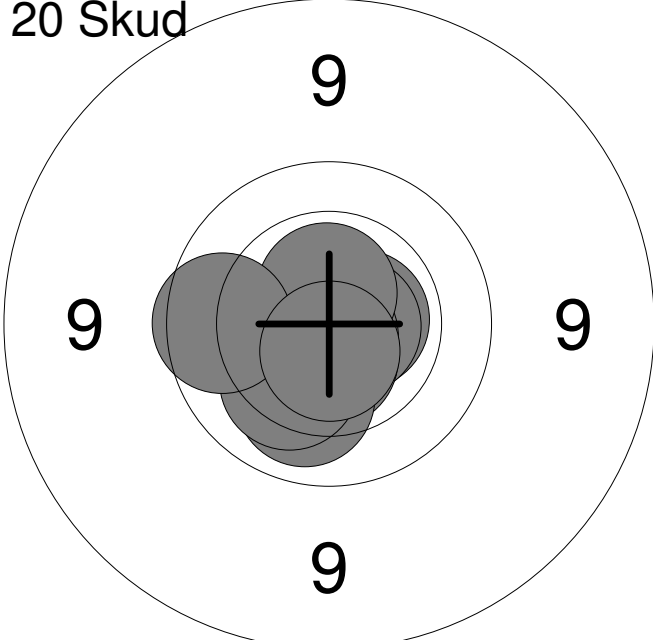


1: 10.3 ↖	6: 10.3 ←	Serie	100
2: 10.1 ↖	7: 10.2 ↓		
3: 10.8x ↙	8: 10.6x ↙	Total	100
4: 10.0 ←	9: 10.2 ↓		
5: 10.5x ↙	10: 10.6x ↘		

11: 10.1 →	16: 10.7x ↙	Serie	99
12: 10.6x ↓	17: 10.2 ↗		
13: 9.9 ←	18: 10.5x →	Total	199
14: 10.4 ↖	19: 10.8x ↓		
15: 10.6x ↗	20: 10.8x ↘		

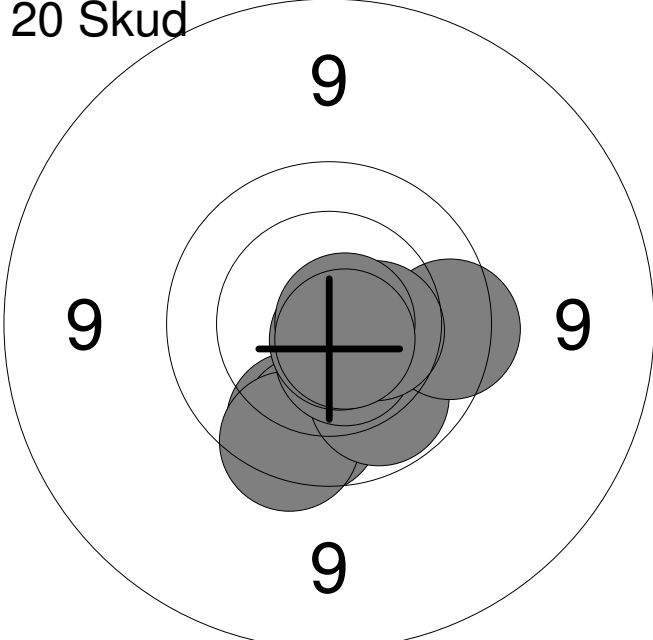
Prøve 	1: 10.4	→	
	2: 10.2	↖	
	3: 10.8x	↑	
	4: 9.9	↖	
	5: 9.8	←	
	6: 10.6x	←	
	7: 10.7x	↙	
	8: 10.3	↑	
	Serie	78.0	
	Total	0.0	

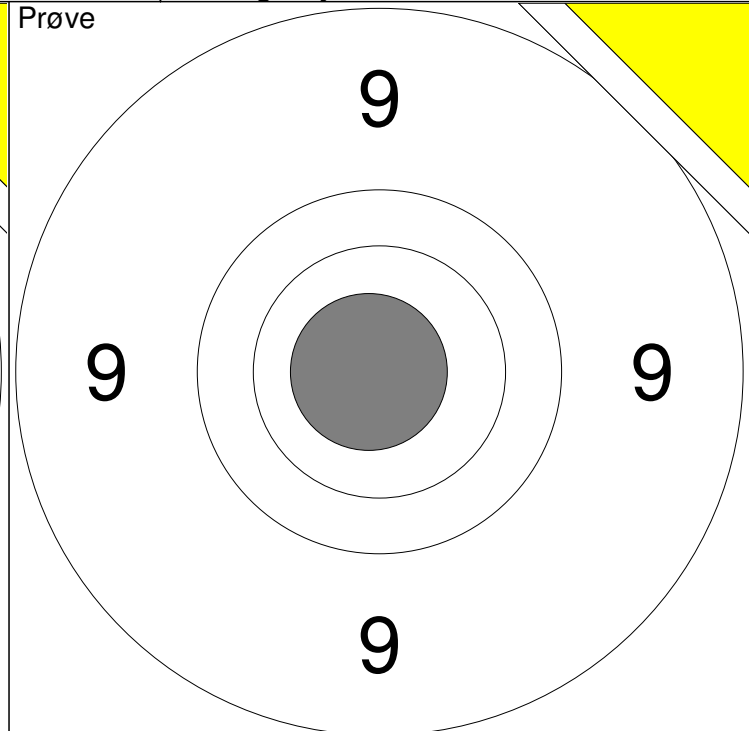
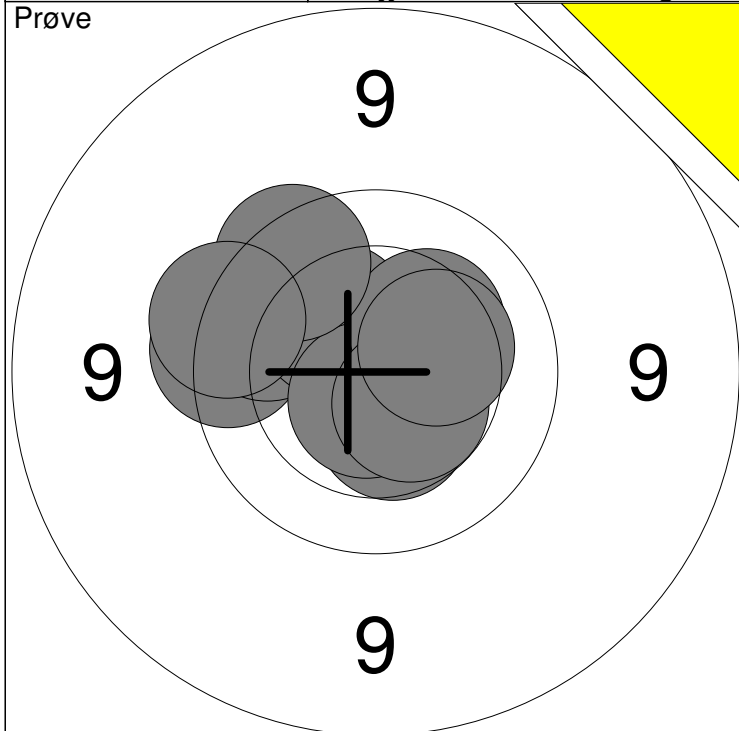
20 Skud 	1: 10.3	↗
	2: 10.9x	↙
	3: 10.5x	↘
	4: 10.8x	↑
	5: 10.6x	↘
	6: 10.2	→
	7: 10.9x	↘
	8: 10.5x	↘
	9: 10.3	↘
	10: 10.3	→
	Serie	100.0
Total	100.0	

20 Skud 	11: 10.9x	↓
	12: 10.6x	→
	13: 10.7x	→
	14: 10.8x	↓
	15: 10.6x	↓
	16: 10.1	↘
	17: 10.6x	↑
	18: 10.2	↙
	19: 9.9	←
	20: 10.7x	↓
	Serie	99.0
Total	199.0	

Prøve 	1: 9.5 →
	2: 9.7 ↓
	3: 10.4 →
	4: 10.5 ↓
	5: 10.1 ←
	6: 10.2 ↓
	7: 9.7 →
	8: 10.1 ↓
	Serie
Total	0.0

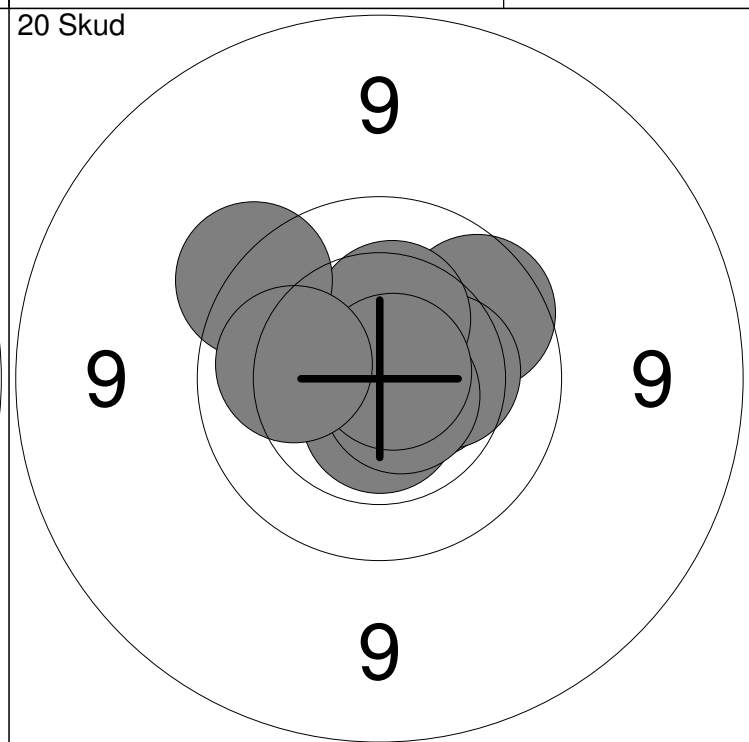
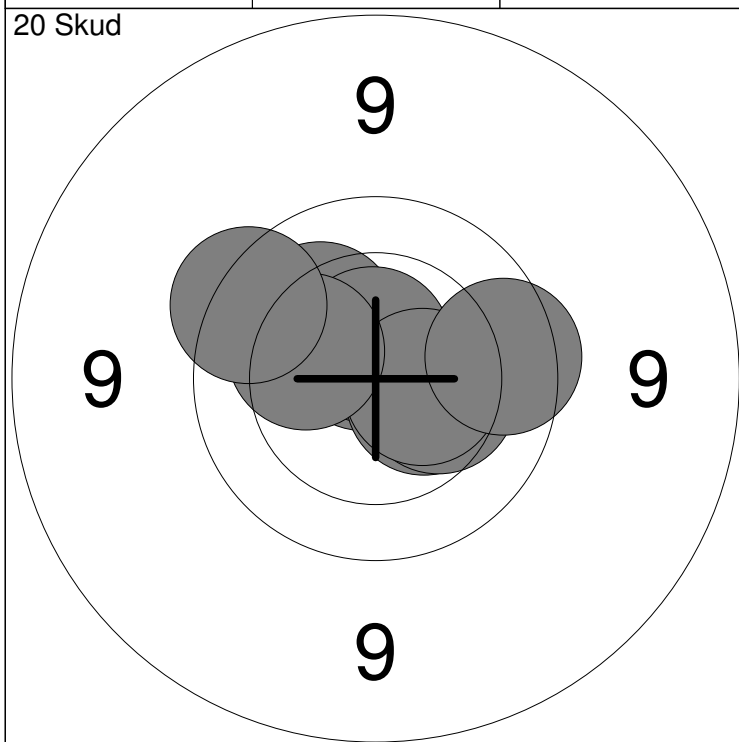
20 Skud 	1: 9.8 ↑
	2: 10.0 →
	3: 10.2 ←
	4: 10.3 ↗
	5: 10.3 ↓
	6: 9.9 ↘
	7: 10.5x ←
	8: 10.0 ←
	9: 10.5 ←
	10: 10.5x ↓
	Serie
Total	98.0

20 Skud 	11: 9.9 ↓
	12: 9.9 ↓
	13: 9.8 ↓
	14: 10.0 ↓
	15: 10.6x ↓
	16: 9.8 →
	17: 10.5 →
	18: 10.7x ↓
	19: 10.8x →
	20: 10.7x ↓
	Serie
Total	194.0



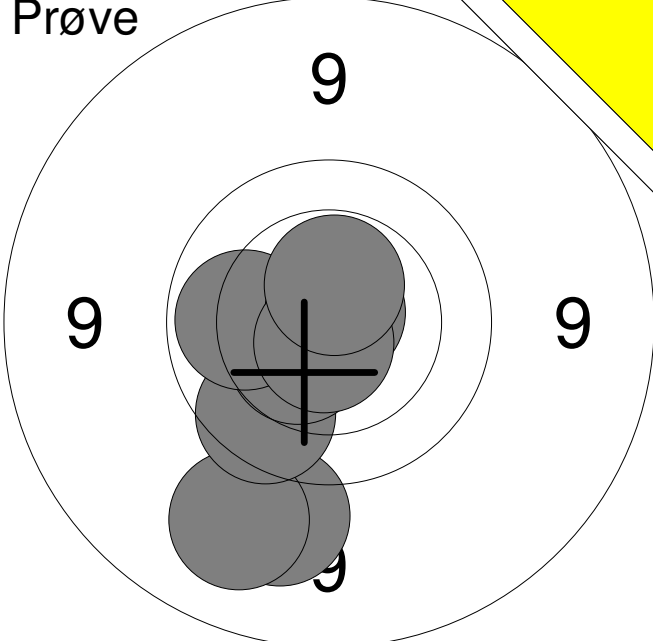
1: 9.7 ←	6: 10.3 ↗	Serie 96
2: 9.9 ↗	7: 9.8 ↗	
3: 10.4 ↓	8: 10.5x ↓	Total 0
4: 10.3 ↗	9: 10.3 ↗	
5: 10.7x ↓	10: 9.7 ←	

11: 10.8x ←	Serie 10
	Total 0

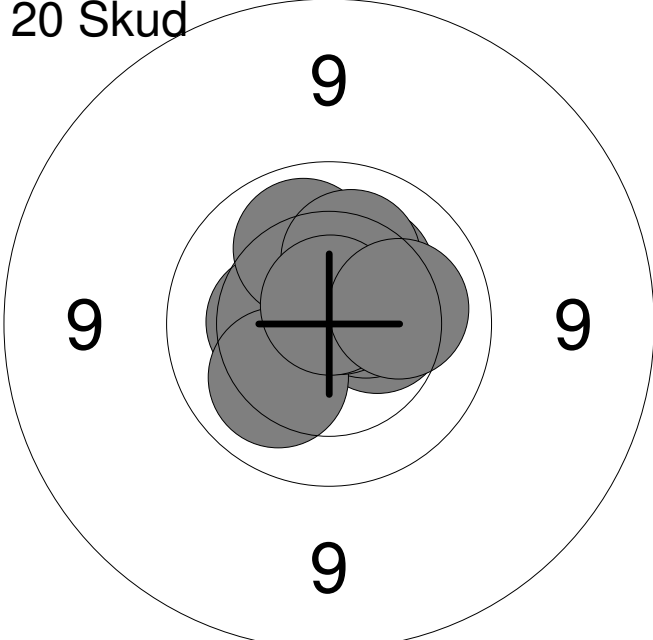


1: 10.3 →	6: 10.3 →	Serie 98
2: 10.7x ↗	7: 10.5x →	
3: 10.2 ↗	8: 10.2 ←	Total 98
4: 10.6x ↑	9: 9.7 ↗	
5: 10.5 ↓	10: 9.8 →	

11: 10.6x ↓	16: 10.6x ↑	Serie 98
12: 10.6x →	17: 10.4 ↑	
13: 9.9 ↗	18: 9.6 ←	Total 196
14: 10.3 →	19: 10.8x ↗	
15: 10.7x ↓	20: 10.1 ←	

Prøve 	1:	9.3	↓	
	2:	9.2	↓	
	3:	9.8	↙	
	4:	10.5	↙	
	5:	10.0	←	
	6:	10.8x	↗	
	7:	10.7x	↓	
	8:	10.5x	↑	
	Serie		77.0	
	Total		0.0	

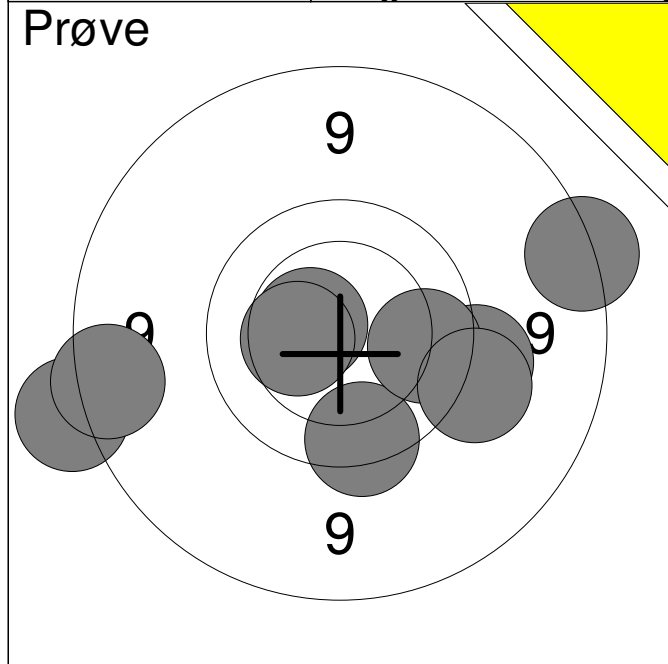
20 Skud 	1:	10.6x	↑
	2:	10.1	→
	3:	10.8x	→
	4:	10.9x	↘
	5:	10.5	↓
	6:	10.4	↑
	7:	10.5x	↑
	8:	10.3	→
	9:	9.9	→
	10:	10.5	→
	Serie		99.0
Total		99.0	

20 Skud 	11:	10.4	→
	12:	10.5x	→
	13:	10.4	←
	14:	10.2	↙
	15:	10.1	↑
	16:	10.7x	↗
	17:	10.3	↗
	18:	10.2	↑
	19:	10.7x	↑
	20:	10.2	→
	Serie		100.0
Total		199.0	

<p>Prøve</p>	<table style="width:100%; border-collapse: collapse;"> <tr><td style="width:10%;">1:</td><td style="width:15%;">9.4</td><td style="width:10%; text-align: right;">→</td></tr> <tr><td>2:</td><td>10.3</td><td style="text-align: right;">↖</td></tr> <tr><td>3:</td><td>9.8</td><td style="text-align: right;">→</td></tr> <tr><td>4:</td><td>10.1</td><td style="text-align: right;">↗</td></tr> <tr><td>5:</td><td>10.0</td><td style="text-align: right;">↗</td></tr> <tr><td>6:</td><td>9.4</td><td style="text-align: right;">↘</td></tr> <tr><td>7:</td><td>9.9</td><td style="text-align: right;">↗</td></tr> </table>	1:	9.4	→	2:	10.3	↖	3:	9.8	→	4:	10.1	↗	5:	10.0	↗	6:	9.4	↘	7:	9.9	↗
1:	9.4	→																				
2:	10.3	↖																				
3:	9.8	→																				
4:	10.1	↗																				
5:	10.0	↗																				
6:	9.4	↘																				
7:	9.9	↗																				
<table style="width:100%; border-collapse: collapse;"> <tr> <td style="width:10%;">Serie</td> <td style="width:15%;"></td> <td style="width:10%; text-align: right;">66.0</td> </tr> <tr> <td>Total</td> <td></td> <td style="text-align: right;">0.0</td> </tr> </table>		Serie		66.0	Total		0.0															
Serie		66.0																				
Total		0.0																				

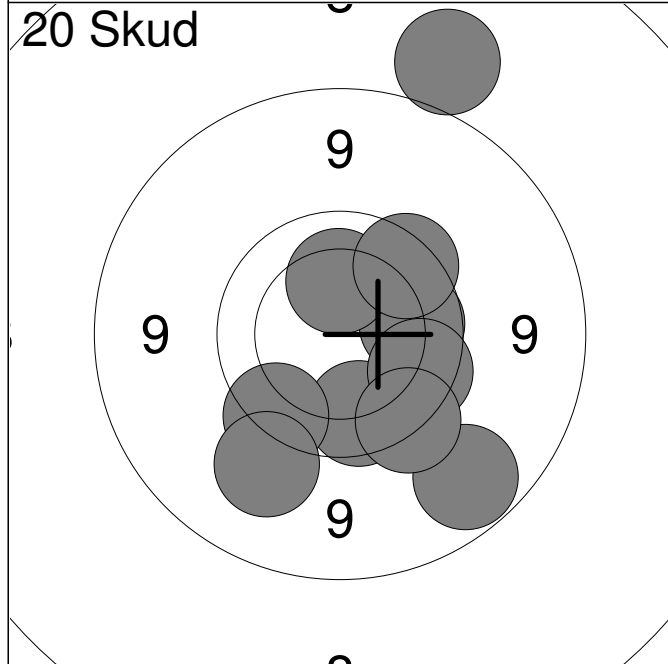
<p>20 Skud</p>	<table style="width:100%; border-collapse: collapse;"> <tr><td style="width:10%;">1:</td><td style="width:15%;">9.9</td><td style="width:10%; text-align: right;">↗</td></tr> <tr><td>2:</td><td>10.3</td><td style="text-align: right;">↗</td></tr> <tr><td>3:</td><td>9.6</td><td style="text-align: right;">↗</td></tr> <tr><td>4:</td><td>10.1</td><td style="text-align: right;">→</td></tr> <tr><td>5:</td><td>9.7</td><td style="text-align: right;">↖</td></tr> <tr><td>6:</td><td>9.4</td><td style="text-align: right;">↗</td></tr> <tr><td>7:</td><td>10.7x</td><td style="text-align: right;">↑</td></tr> <tr><td>8:</td><td>9.9</td><td style="text-align: right;">↖</td></tr> <tr><td>9:</td><td>10.3</td><td style="text-align: right;">↗</td></tr> <tr><td>10:</td><td>9.5</td><td style="text-align: right;">→</td></tr> </table>	1:	9.9	↗	2:	10.3	↗	3:	9.6	↗	4:	10.1	→	5:	9.7	↖	6:	9.4	↗	7:	10.7x	↑	8:	9.9	↖	9:	10.3	↗	10:	9.5	→
1:	9.9	↗																													
2:	10.3	↗																													
3:	9.6	↗																													
4:	10.1	→																													
5:	9.7	↖																													
6:	9.4	↗																													
7:	10.7x	↑																													
8:	9.9	↖																													
9:	10.3	↗																													
10:	9.5	→																													
<table style="width:100%; border-collapse: collapse;"> <tr> <td style="width:10%;">Serie</td> <td style="width:15%;"></td> <td style="width:10%; text-align: right;">94.0</td> </tr> <tr> <td>Total</td> <td></td> <td style="text-align: right;">94.0</td> </tr> </table>		Serie		94.0	Total		94.0																								
Serie		94.0																													
Total		94.0																													

<p>20 Skud</p>	<table style="width:100%; border-collapse: collapse;"> <tr><td style="width:10%;">11:</td><td style="width:15%;">10.1</td><td style="width:10%; text-align: right;">↖</td></tr> <tr><td>12:</td><td>9.7</td><td style="text-align: right;">↖</td></tr> <tr><td>13:</td><td>10.6x</td><td style="text-align: right;">↖</td></tr> <tr><td>14:</td><td>10.4</td><td style="text-align: right;">↖</td></tr> <tr><td>15:</td><td>10.4</td><td style="text-align: right;">→</td></tr> <tr><td>16:</td><td>8.9</td><td style="text-align: right;">↖</td></tr> <tr><td>17:</td><td>10.3</td><td style="text-align: right;">↓</td></tr> <tr><td>18:</td><td>10.3</td><td style="text-align: right;">↖</td></tr> <tr><td>19:</td><td>9.9</td><td style="text-align: right;">↖</td></tr> <tr><td>20:</td><td>9.7</td><td style="text-align: right;">→</td></tr> </table>	11:	10.1	↖	12:	9.7	↖	13:	10.6x	↖	14:	10.4	↖	15:	10.4	→	16:	8.9	↖	17:	10.3	↓	18:	10.3	↖	19:	9.9	↖	20:	9.7	→
11:	10.1	↖																													
12:	9.7	↖																													
13:	10.6x	↖																													
14:	10.4	↖																													
15:	10.4	→																													
16:	8.9	↖																													
17:	10.3	↓																													
18:	10.3	↖																													
19:	9.9	↖																													
20:	9.7	→																													
<table style="width:100%; border-collapse: collapse;"> <tr> <td style="width:10%;">Serie</td> <td style="width:15%;"></td> <td style="width:10%; text-align: right;">95.0</td> </tr> <tr> <td>Total</td> <td></td> <td style="text-align: right;">189.0</td> </tr> </table>		Serie		95.0	Total		189.0																								
Serie		95.0																													
Total		189.0																													



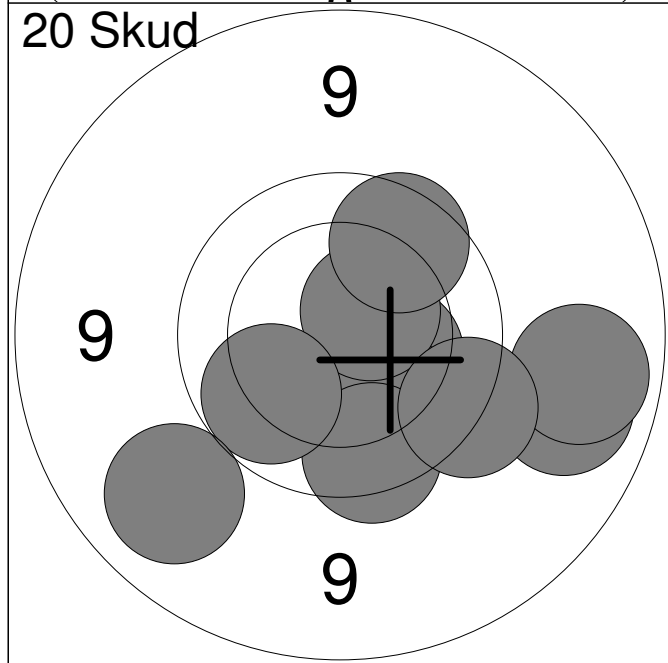
1:	8.6	←
2:	8.8	←
3:	10.5x	↖
4:	9.7	↓
5:	10.4	←
6:	9.5	→
7:	8.7	→
8:	9.9	→
9:	9.4	↘

Serie	80.0
Total	0.0



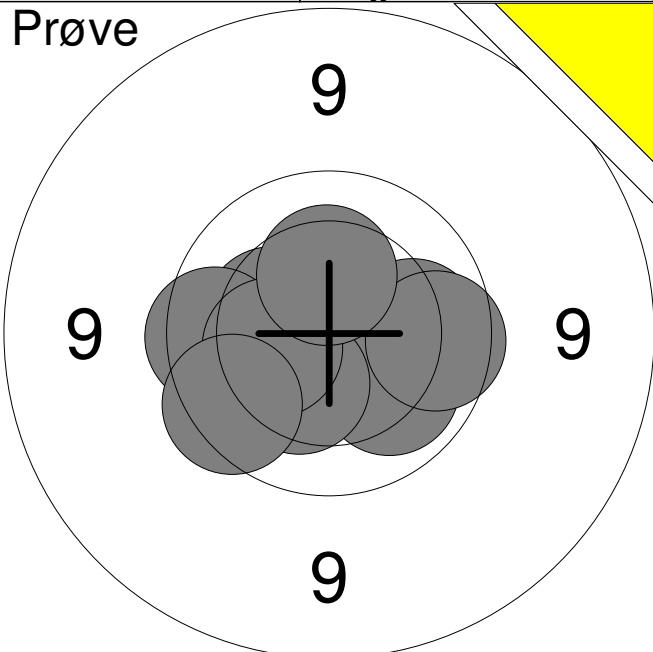
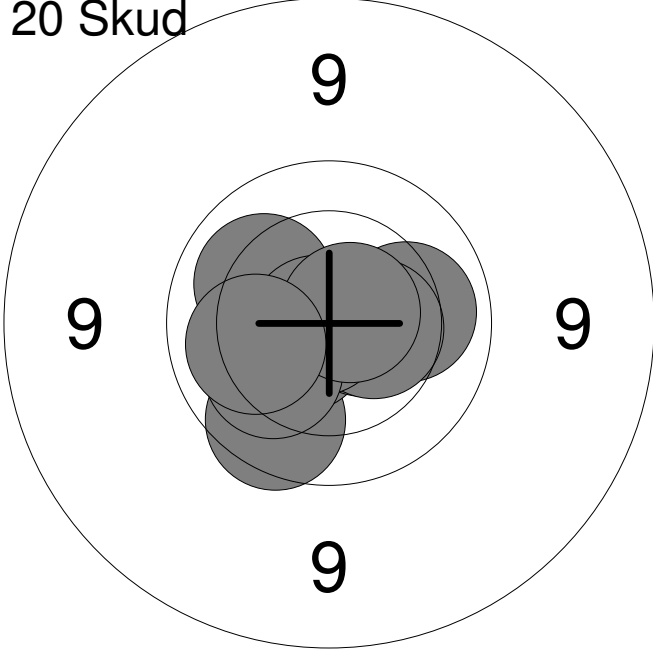
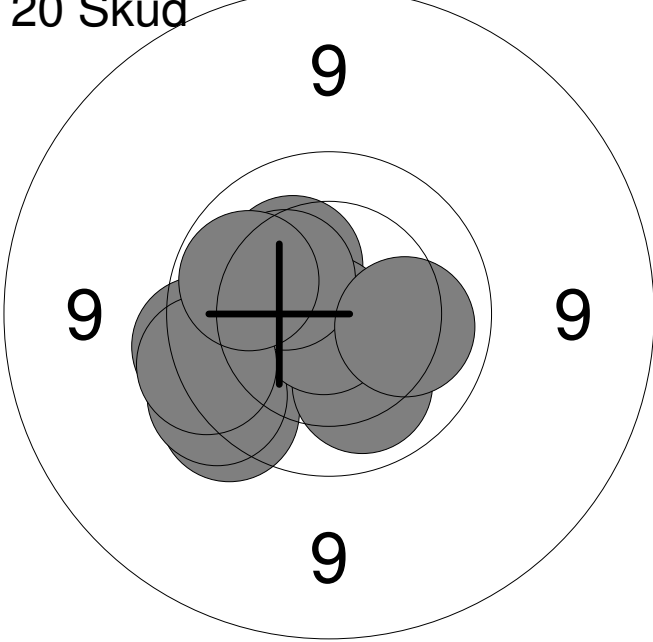
1:	9.0	↘
2:	9.9	→
3:	8.4	↑
4:	10.2	↑
5:	9.8	↗
6:	9.9	↓
7:	9.8	→
8:	9.7	↙
9:	9.3	↙
10:	9.6	↘

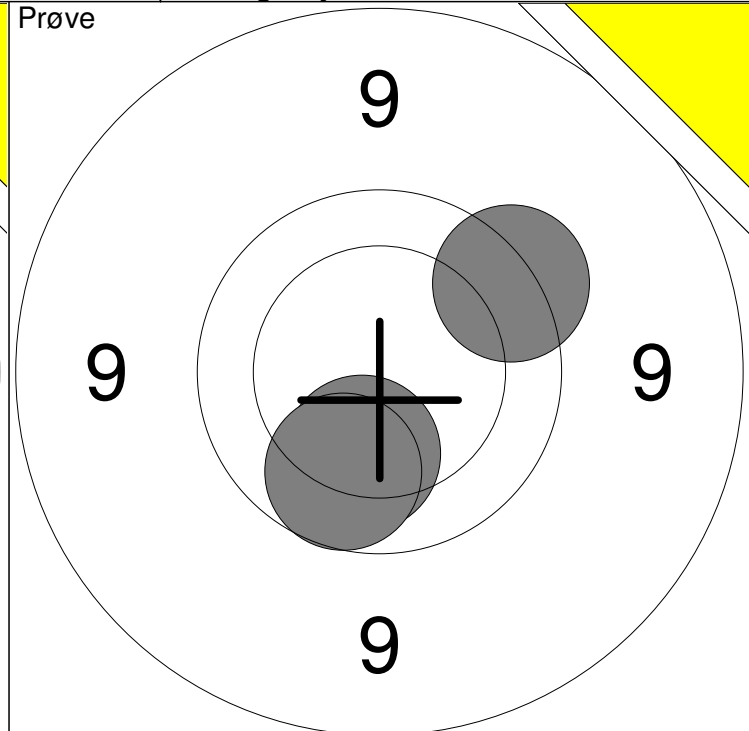
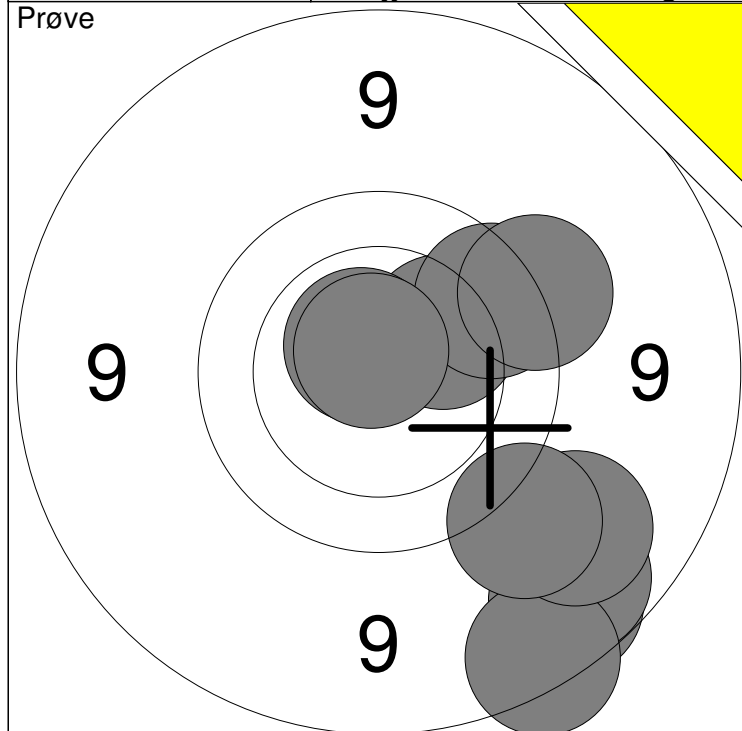
Serie	90.0
Total	90.0



11:	10.3	↘
12:	10.0	↘
13:	9.1	→
14:	9.8	↓
15:	10.5x	↗
16:	10.0	↙
17:	9.0	→
18:	9.1	↙
19:	9.6	↘
20:	9.8	↗

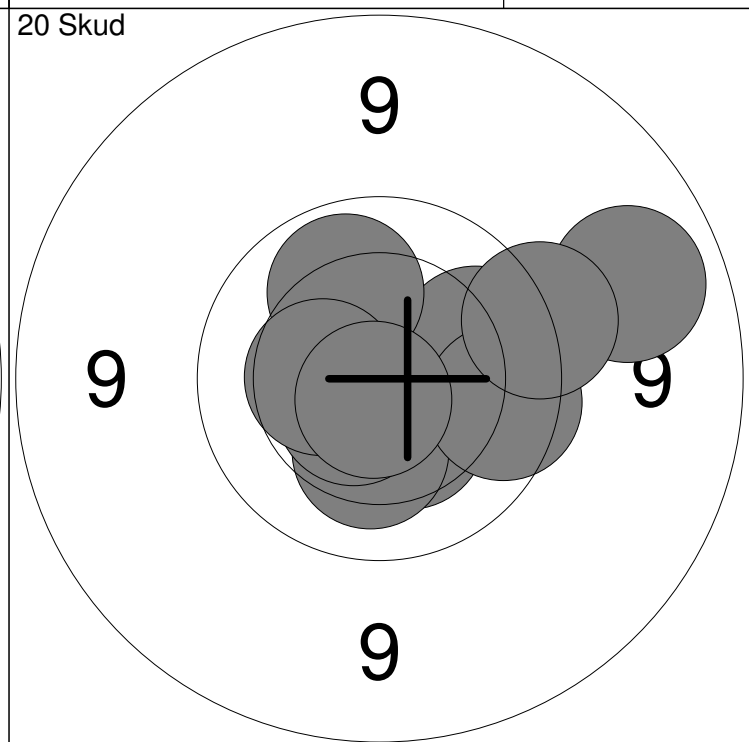
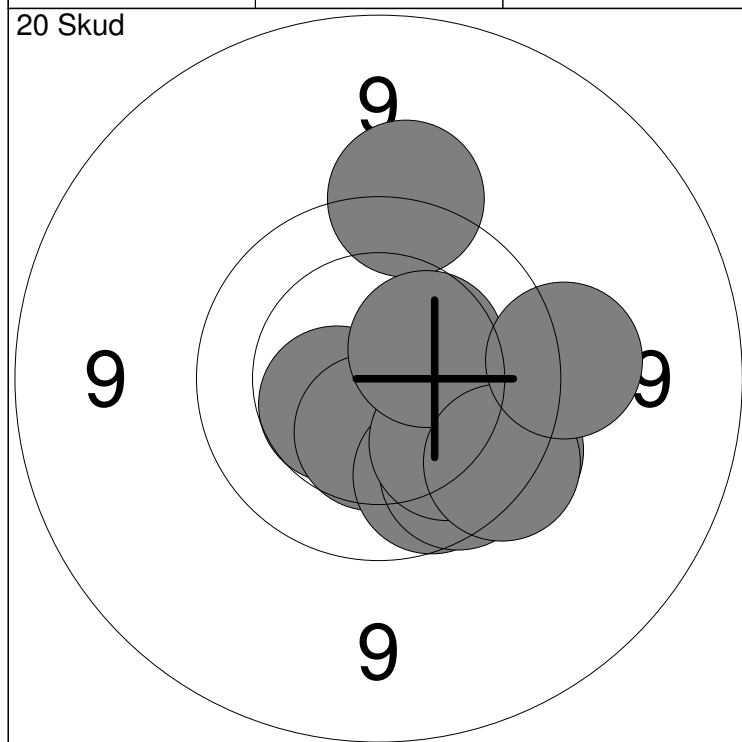
Serie	94.0
Total	184.0

Hold	Skive	Anders Christian Uhrenholt	
30	11		
15m	Skørping Skytteforening	MB3	
	Nordjysk Mesterskab Ungdom	Aalborg Skyttekreds	
Prøve		1: 10.1 → 2: 10.1 ↘ 3: 10.3 ↙ 4: 10.3 ← 5: 9.8 ← 6: 10.3 ← 7: 9.8 ↙ 8: 9.9 → 9: 10.3 ↑	
		Serie	87.0
		Total	0.0
20 Skud		1: 10.1 → 2: 9.8 ↘ 3: 10.6x ↙ 4: 10.6x → 5: 10.5 → 6: 10.1 ↗ 7: 10.8x ← 8: 10.2 ↙ 9: 10.7x → 10: 10.1 ←	
		Serie	99.0
		Total	99.0
20 Skud		11: 9.7 ↙ 12: 9.7 ← 13: 10.1 ↘ 14: 10.3 ↗ 15: 9.7 ↙ 16: 10.8x ↙ 17: 10.4 ↗ 18: 10.1 → 19: 9.7 ← 20: 10.0 ←	
		Serie	96.0
		Total	195.0



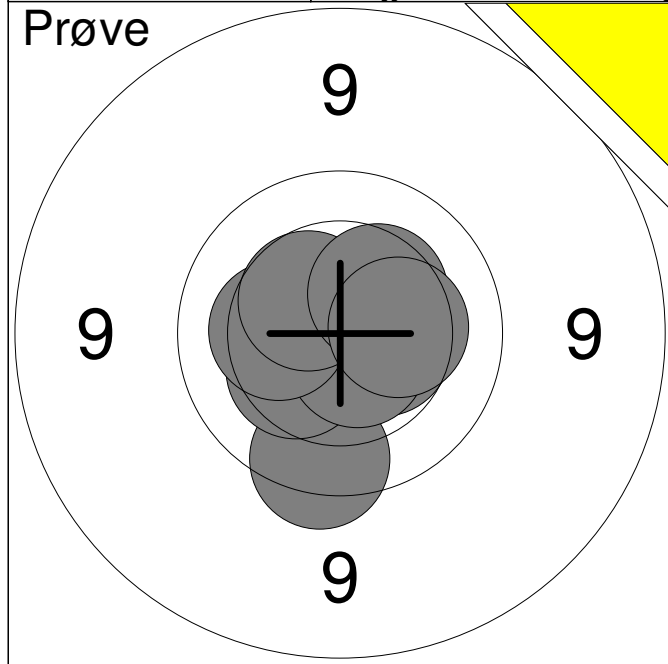
1: 8.9 ↘	6: 10.2 ↗	Serie	91
2: 9.0 ↘	7: 9.8 ↗		
3: 8.8 ↘	8: 10.6x ↗	Total	0
4: 9.1 ↘	9: 9.5 ↗		
5: 9.4 ↘	10: 10.7x ↗		

11: 10.1 ↘	Serie	28
12: 9.6 ↗		
13: 9.9 ↘	Total	0

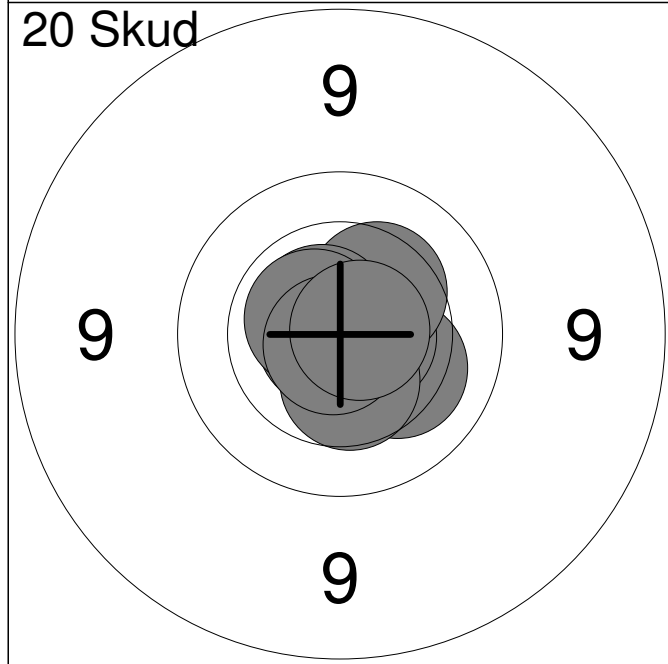


1: 9.7 ↘	6: 10.0 ↘	Serie	94
2: 10.5 ↙	7: 9.5 ↗		
3: 10.4 ↘	8: 10.4 ↗	Total	94
4: 9.9 ↘	9: 9.7 ↘		
5: 9.8 ↘	10: 9.5 →		

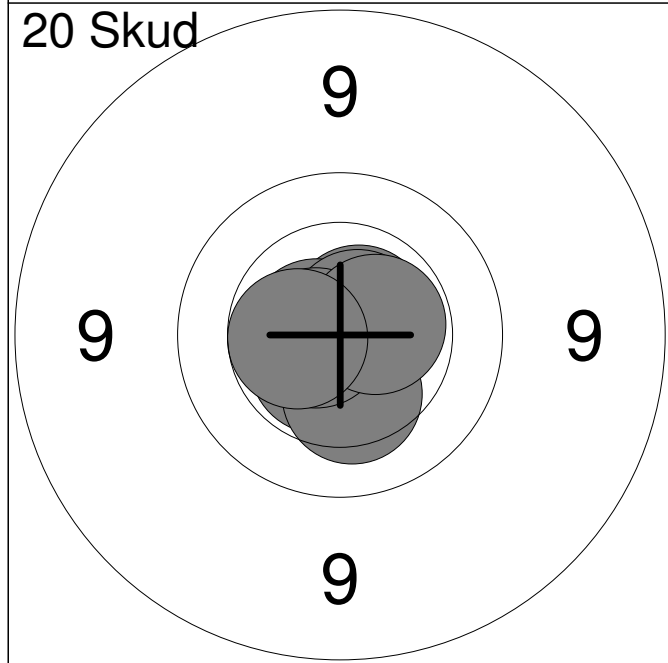
11: 10.0 →	16: 9.1 →	Serie	97
12: 10.4 ↘	17: 10.1 ↗		
13: 10.2 ↘	18: 10.4 ←	Total	191
14: 9.8 →	19: 9.6 →		
15: 10.6x ↙	20: 10.7x ↘		



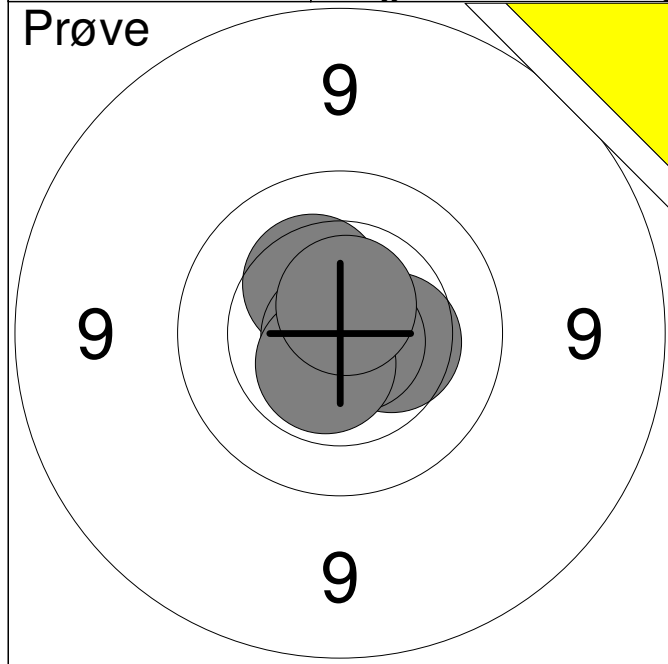
1:	9.7	↓
2:	10.3	↙
3:	10.5	→
4:	10.6x	↓
5:	10.3	←
6:	10.5	↗
7:	10.4	↗
8:	10.3	→
Serie		79.0
Total		0.0



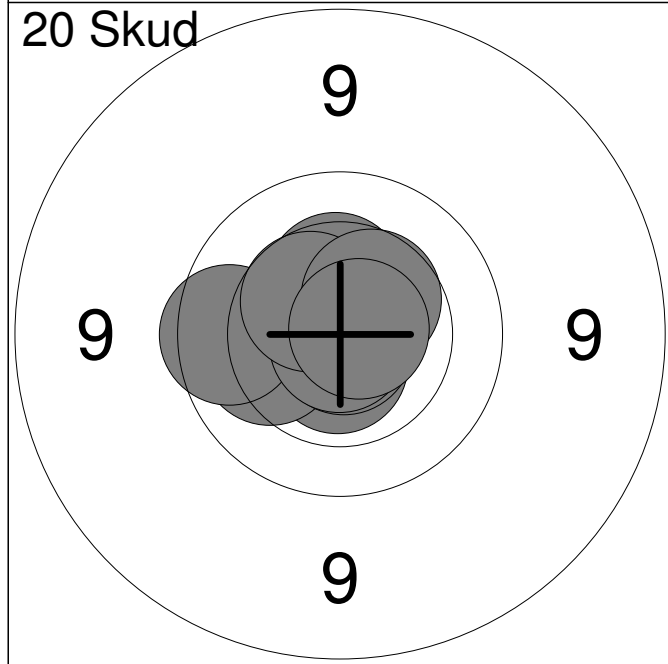
1:	10.2	↘
2:	10.8x	↑
3:	10.7x	→
4:	10.3	↗
5:	10.7x	↗
6:	10.8x	←
7:	10.6x	↗
8:	10.4	↓
9:	10.8x	↙
10:	10.7x	→
Serie		100.0
Total		100.0



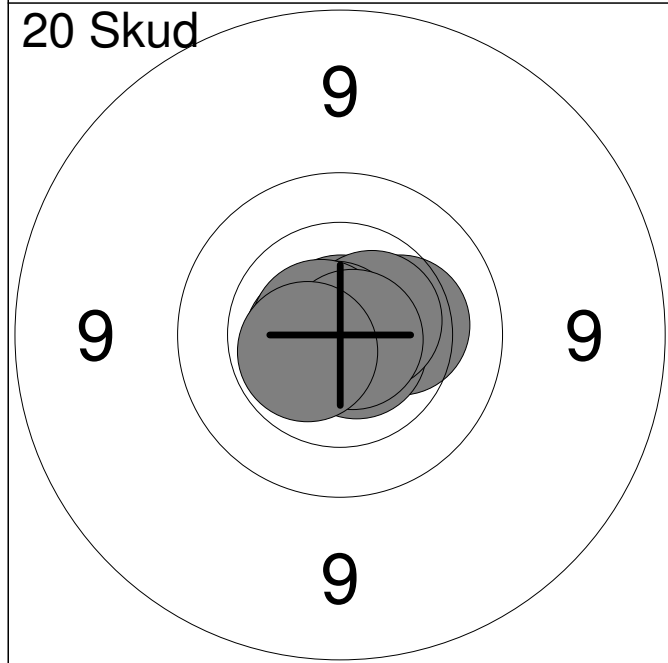
11:	10.7x	↗
12:	10.6x	↙
13:	10.9x	→
14:	10.8x	→
15:	10.7x	←
16:	10.7x	↗
17:	10.3	↓
18:	10.7x	←
19:	10.5x	→
20:	10.5x	←
Serie		100.0
Total		200.0



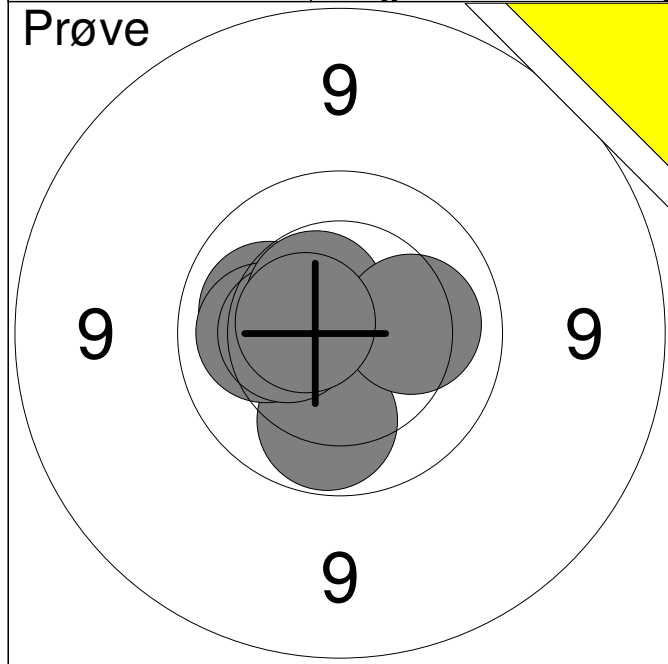
1:	10.4	→
2:	10.3	↗
3:	10.8x	←
4:	10.8x	↘
5:	10.6x	↙
6:	10.6x	↑
Serie	60.0	
Total	0.0	



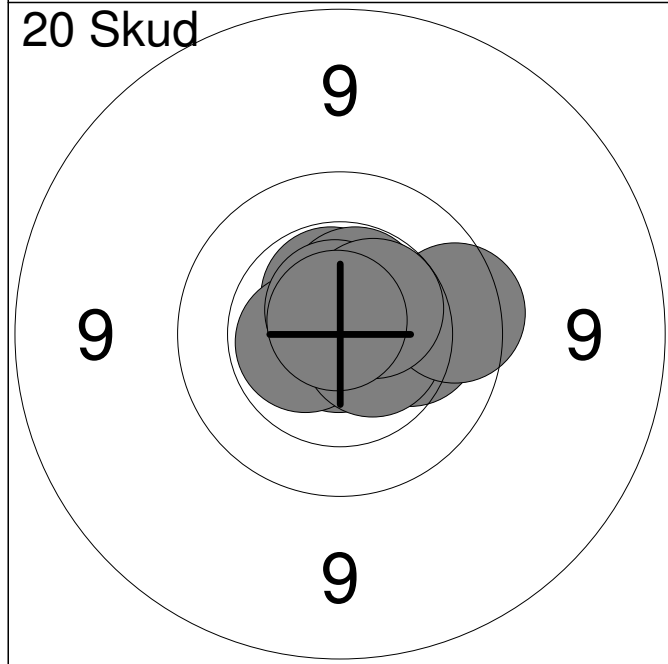
1:	10.6x	↓
2:	10.9x	↓
3:	10.2	←
4:	9.8	←
5:	10.4	↑
6:	10.8x	↓
7:	10.9x	↓
8:	10.5	↗
9:	10.4	↗
10:	10.7x	→
Serie	99.0	
Total	99.0	



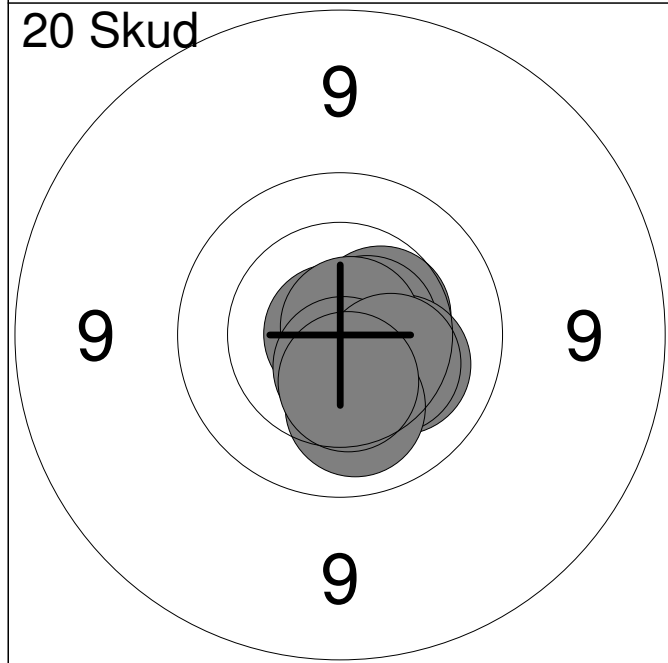
11:	10.7x	←
12:	10.8x	↑
13:	10.3	→
14:	10.7x	↘
15:	10.9x	↖
16:	10.6x	↗
17:	10.9x	↗
18:	10.7x	↖
19:	10.8x	↘
20:	10.6x	←
Serie	100.0	
Total	199.0	



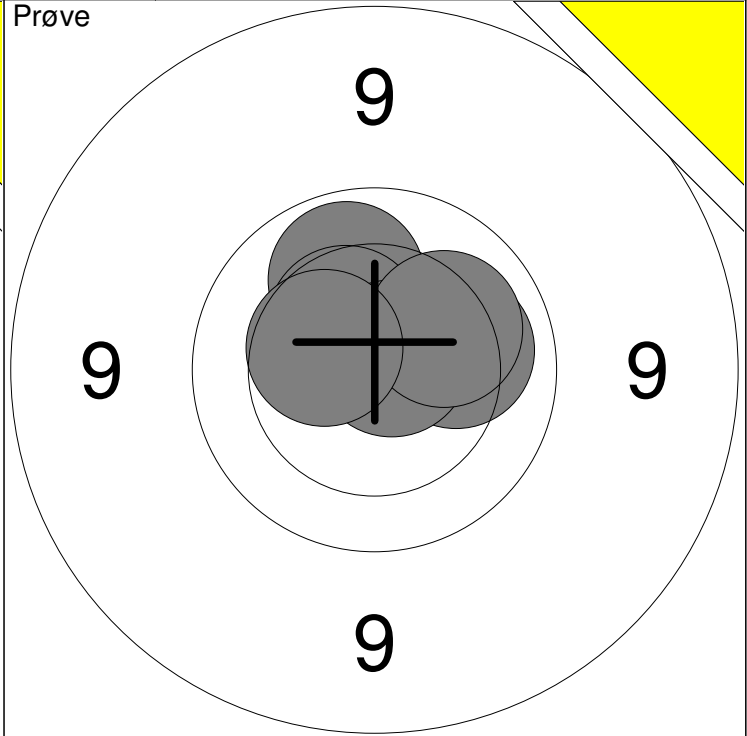
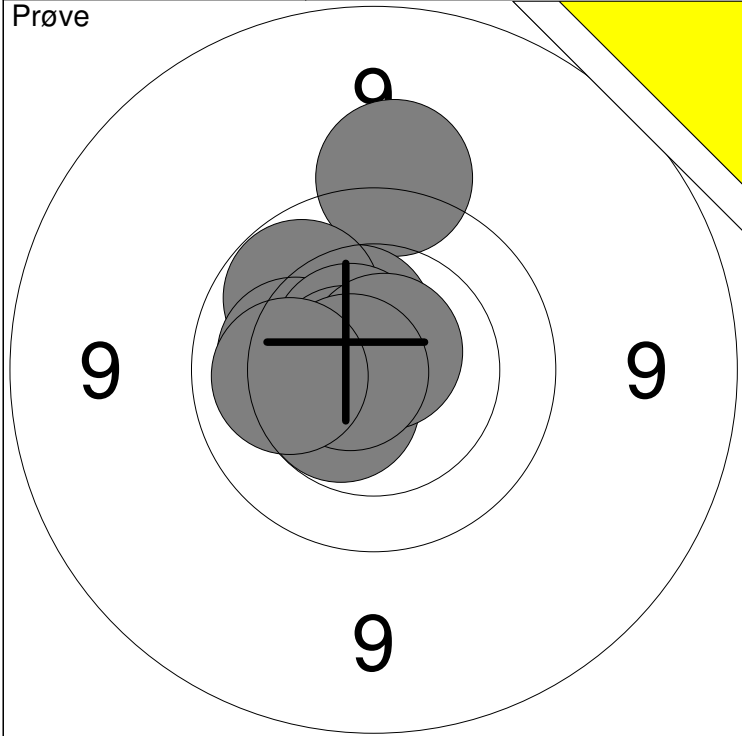
1:	10.0	↓
2:	10.1	←
3:	10.1	←
4:	10.4	←
5:	10.5x	↗
6:	10.2	→
7:	10.6x	↖
Serie		70.0
Total		0.0



1:	10.2	→
2:	10.9x	↓
3:	10.5x	↑
4:	10.6x	←
5:	10.5x	↑
6:	10.6x	↘
7:	9.8	→
8:	10.7x	↑
9:	10.5x	↗
10:	10.8x	↑
Serie		99.0
Total		99.0

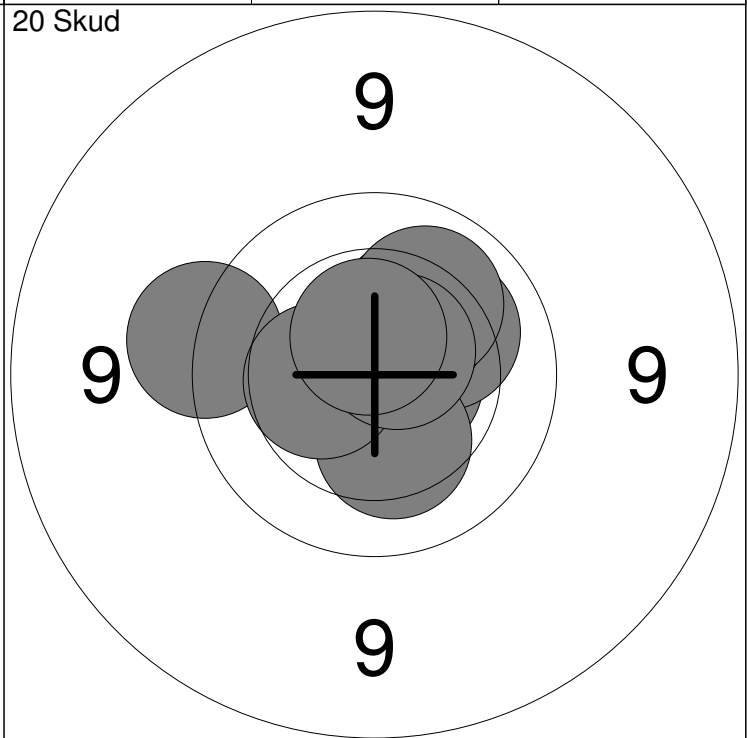
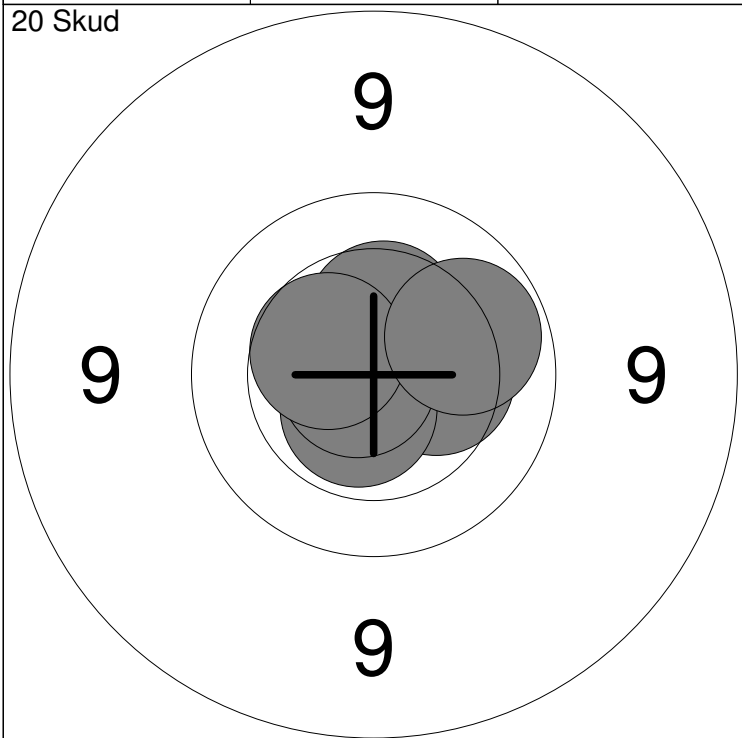


11:	10.5	↗
12:	10.9x	←
13:	10.4	↓
14:	10.6x	→
15:	10.2	↘
16:	10.8x	↗
17:	10.6x	↓
18:	10.3	↘
19:	10.2	↓
20:	10.4	↓
Serie		100.0
Total		199.0



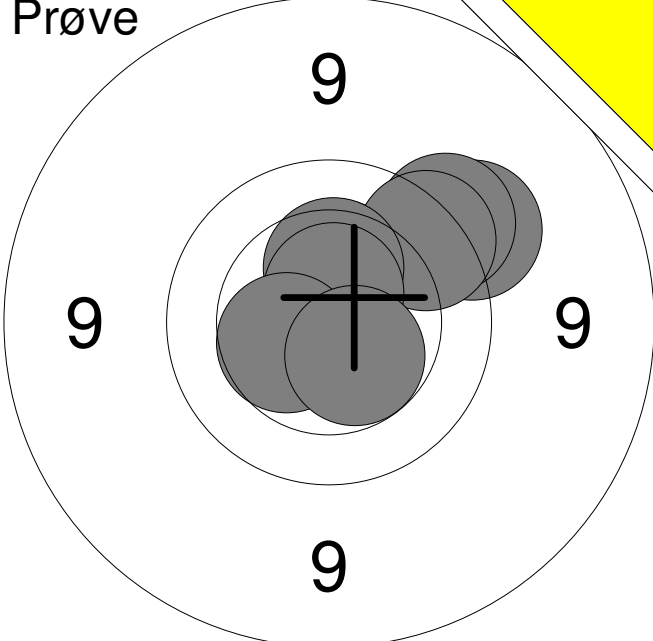
1: 9.5 ↑	6: 10.5x ↙	Serie	99
2: 10.5 ↑	7: 10.7x ←		
3: 10.0 ↗	8: 10.7x ↗	Total	0
4: 10.2 ←	9: 10.7x ←		
5: 10.6x ↗	10: 10.1 ←		

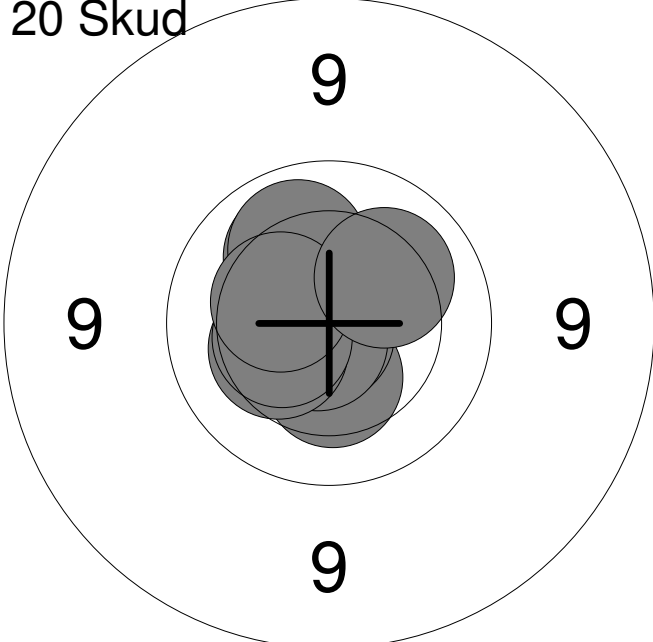
11: 10.0 ↑	16: 10.4 ←	Serie	60
12: 10.4 ↑			
13: 10.1 →		Total	0
14: 10.8x ↗			
15: 10.2 ↗			

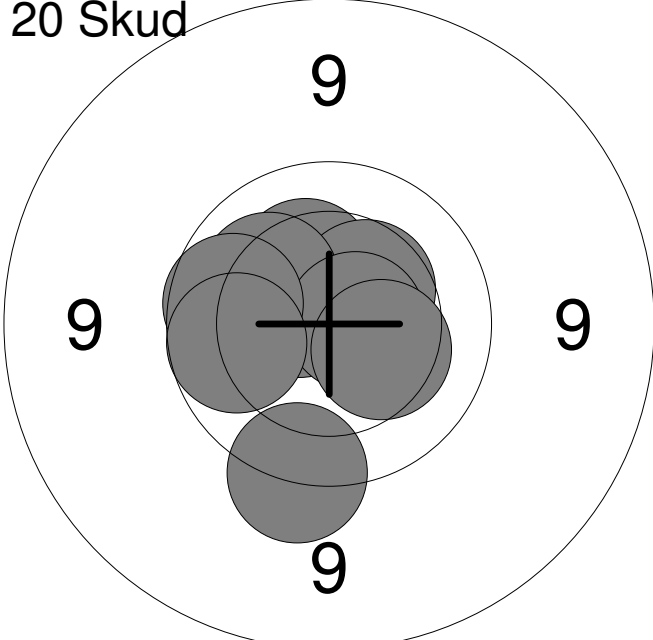


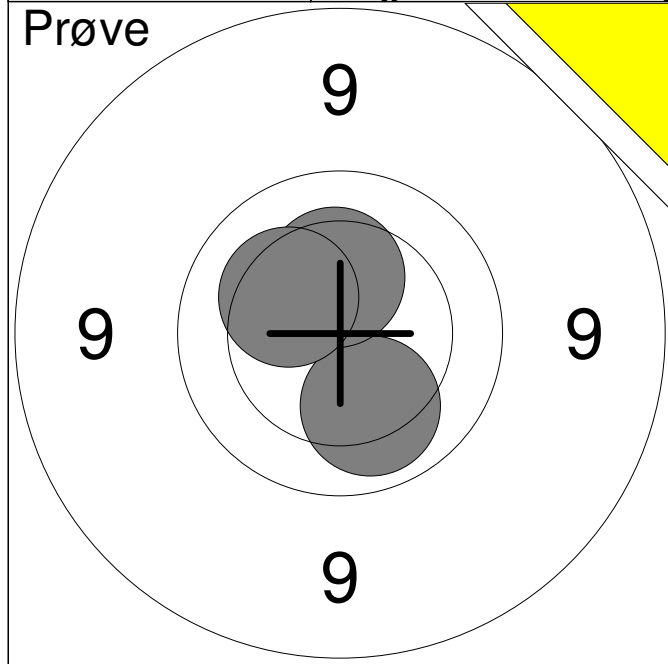
1: 10.7x ←	6: 10.6x ↙	Serie	100
2: 10.8x →	7: 10.4 ↑		
3: 10.4 →	8: 10.8x ←	Total	100
4: 10.9x →	9: 10.5 ←		
5: 10.3 →	10: 10.0 ↗		

11: 9.6 ←	16: 10.3 ↗	Serie	99
12: 10.6x →	17: 10.1 ↗		
13: 10.2 ↗	18: 10.4 ←	Total	199
14: 10.3 ↓	19: 10.6x ↗		
15: 10.4 ↗	20: 10.6x ↑		

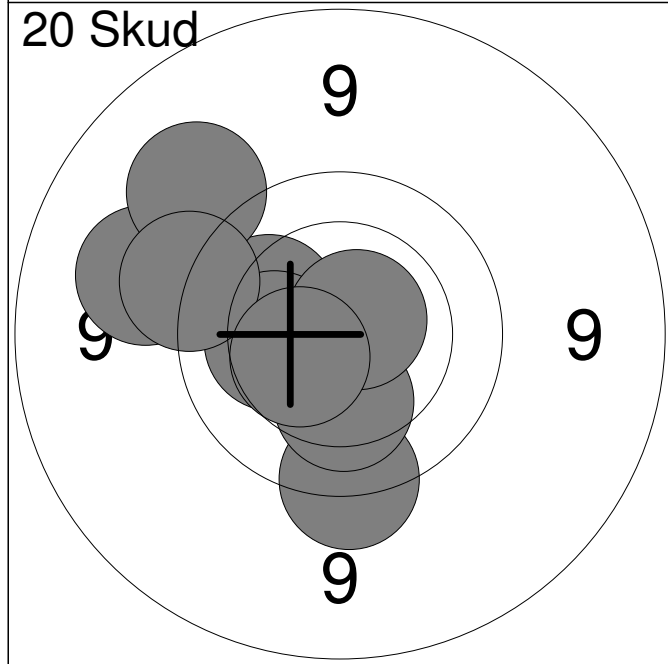
Prøve 	1:	9.5	↗
	2:	10.4	↑
	3:	9.6	↗
	4:	9.7	↗
	5:	10.4	↑
	6:	10.6x	↑
	7:	10.4	↖
	8:	10.5x	↘
	Serie		77.0
Total		0.0	

20 Skud 	1:	10.4	↓
	2:	10.8x	↘
	3:	10.1	↗
	4:	10.5x	↑
	5:	10.7x	↘
	6:	10.1	↗
	7:	10.3	↖
	8:	10.4	↖
	9:	10.4	↖
	10:	10.2	↗
	Serie		100.0
Total		100.0	

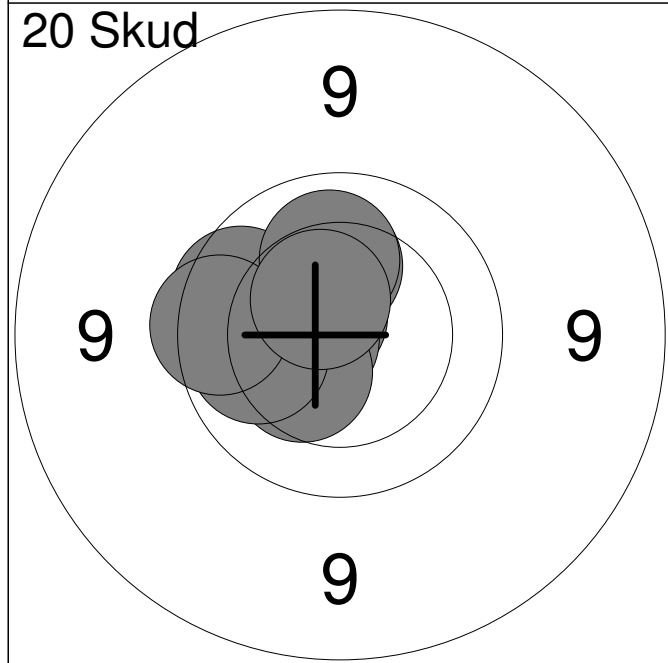
20 Skud 	11:	10.6x	↖
	12:	10.6x	→
	13:	10.3	↑
	14:	10.4	↗
	15:	10.2	↗
	16:	10.7x	→
	17:	9.9	↖
	18:	9.6	↓
	19:	9.9	↖
	20:	10.3	↘
	Serie		97.0
Total		197.0	



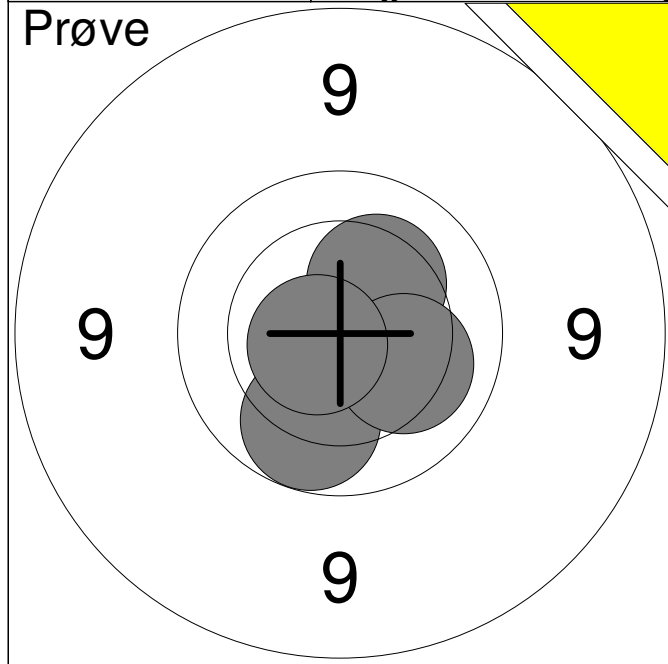
1:	10.1	↓
2:	10.3	↑
3:	10.3	↗
Serie		30.0
Total		0.0



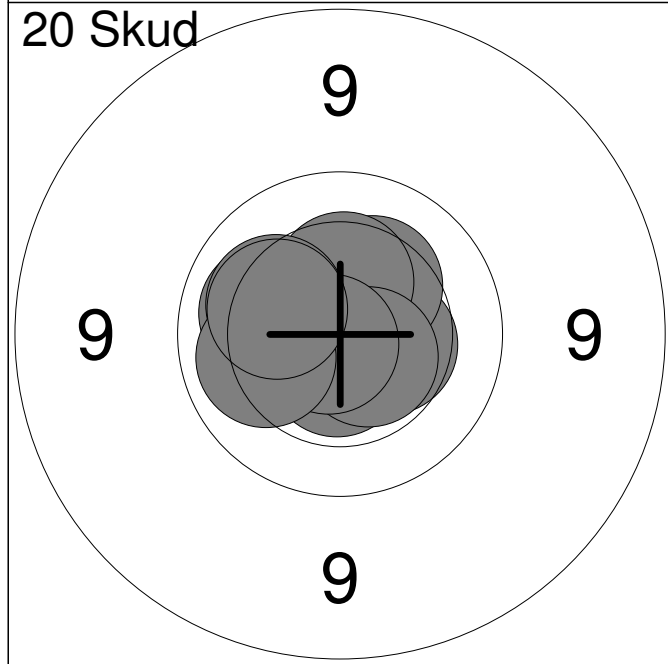
1:	10.8x	↗
2:	9.6	↓
3:	10.1	↖
4:	9.3	←
5:	10.2	←
6:	9.3	↗
7:	10.2	↓
8:	9.5	↖
9:	10.7x	↗
10:	10.5	↙
Serie		96.0
Total		96.0



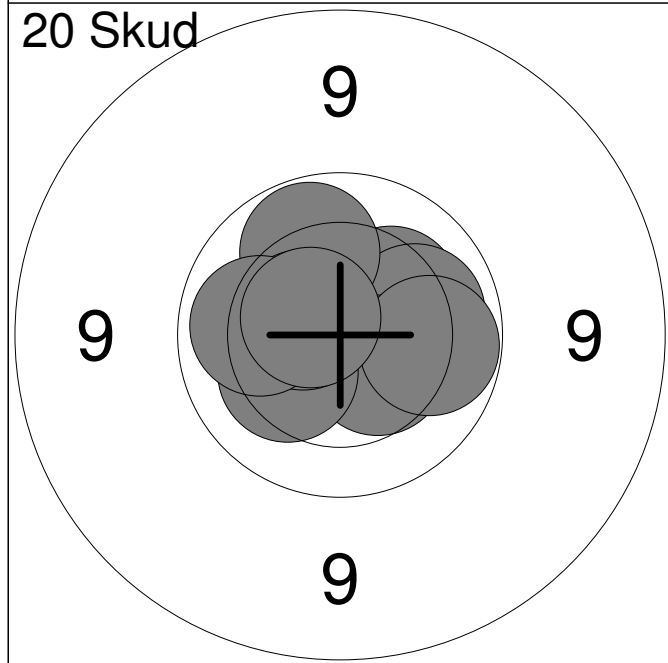
11:	10.2	←
12:	9.9	↖
13:	10.6x	↗
14:	10.2	↑
15:	10.6x	←
16:	10.4	↙
17:	10.0	←
18:	10.1	↑
19:	9.8	↖
20:	10.5x	↗
Serie		98.0
Total		194.0



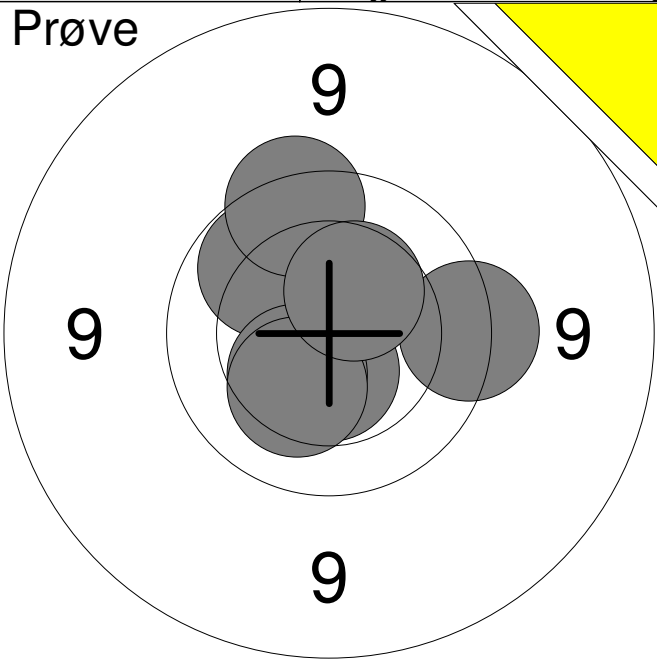
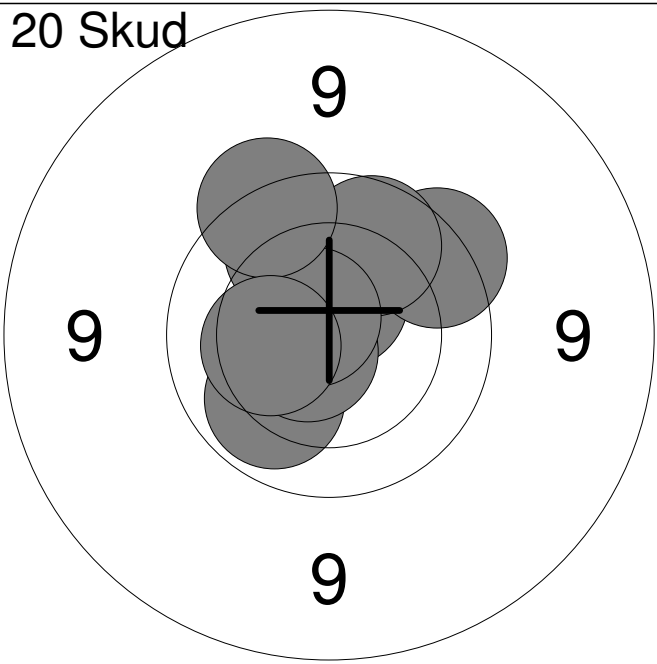
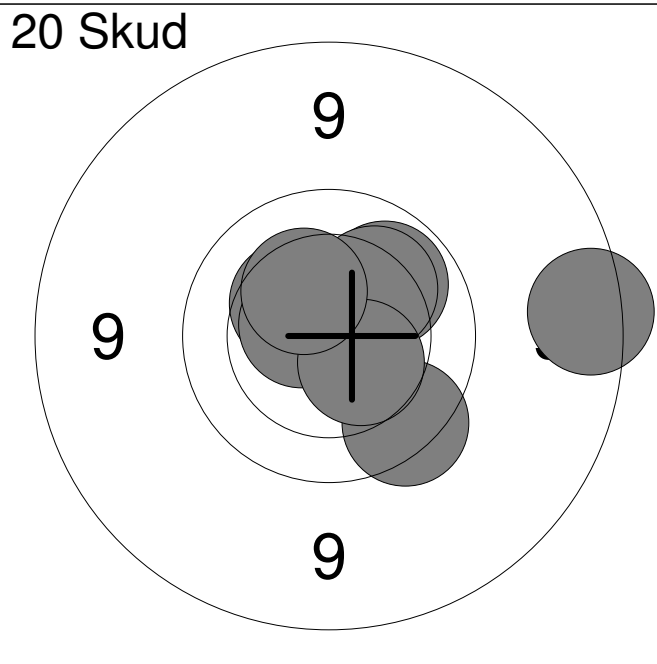
1:	10.0	↘
2:	10.3	↗
3:	10.2	↘
4:	10.7x	↙
Serie		40.0
Total		0.0

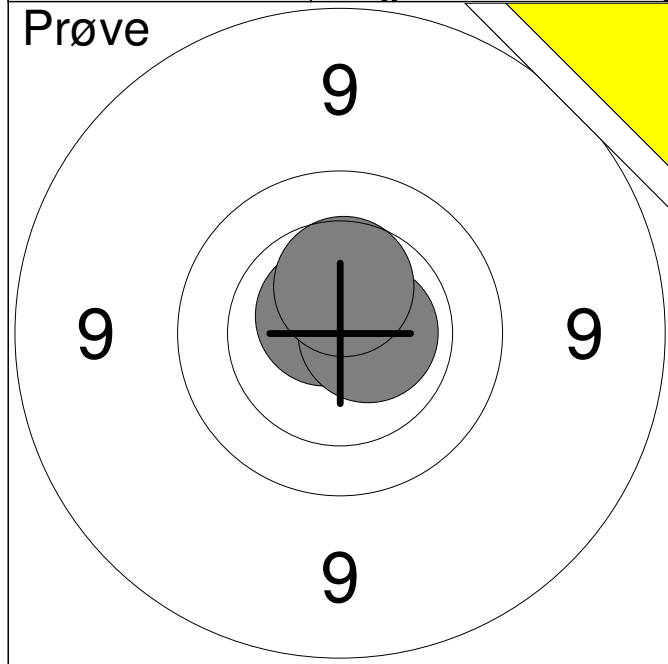


1:	10.4	→
2:	10.3	↗
3:	10.4	↑
4:	10.6x	↓
5:	10.2	↖
6:	10.6x	↘
7:	10.8x	↙
8:	10.2	↗
9:	10.1	←
10:	10.2	↖
Serie		100.0
Total		100.0

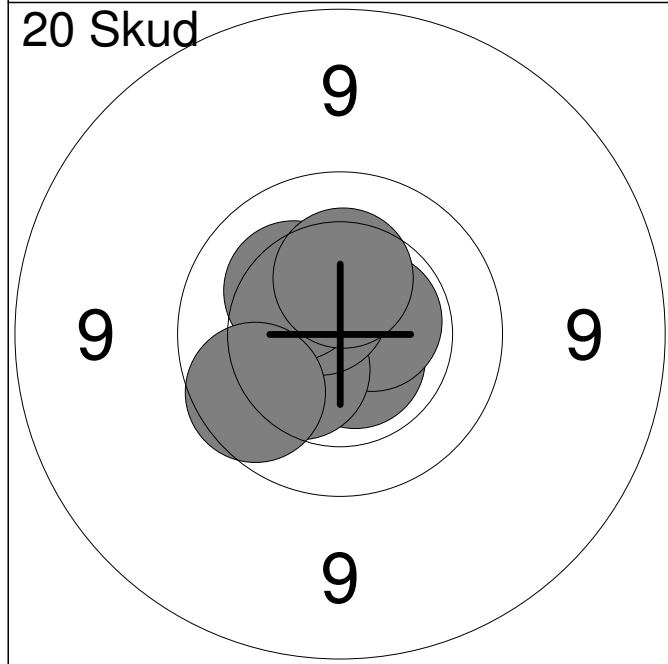


11:	10.3	↗
12:	10.6x	↗
13:	10.1	→
14:	10.4	↘
15:	10.0	↗
16:	10.0	→
17:	10.3	↙
18:	10.5x	↗
19:	10.1	←
20:	10.6x	↗
Serie		100.0
Total		200.0

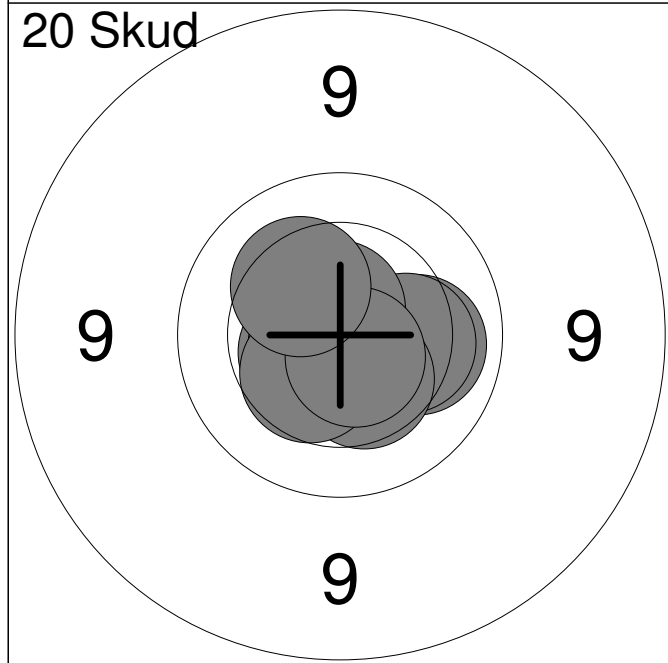
Hold	Skive	Mathias Haugaard Mikkelsen	
31	11		
15m	Hjørring Skytteforening	MJ2	
	Nordjysk Mesterskab Ungdom	Aalborg Skyttekreds	
Prøve		1: 9.7 →	
		2: 10.0 ↗	
		3: 10.5x ↓	
		4: 10.4 ↙	
		5: 10.3 ↙	
		6: 9.7 ↗	
		7: 10.4 ↗	
	Serie	68.0	
	Total	0.0	
20 Skud		1: 10.5x ↑	
		2: 10.5x ↑	
		3: 10.0 ↙	
		4: 9.7 ↗	
		5: 10.7x ↙	
		6: 10.0 ↗	
		7: 9.9 ↗	
		8: 10.7x ↗	
		9: 9.6 ↑	
		10: 10.3 ←	
	Serie	97.0	
	Total	97.0	
20 Skud		11: 10.5x ↗	
		12: 10.3 ↗	
		13: 9.7 ↙	
		14: 10.0 ↗	
		15: 10.2 ↗	
		16: 10.4 ↗	
		17: 10.6x ↗	
		18: 8.8 →	
		19: 10.5 ↙	
		20: 10.3 ↗	
	Serie	97.0	
	Total	194.0	



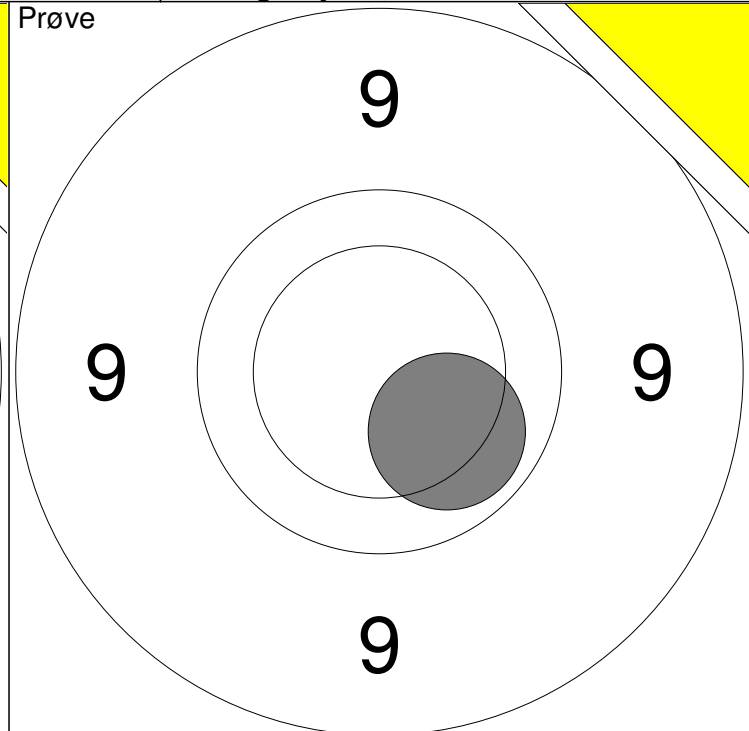
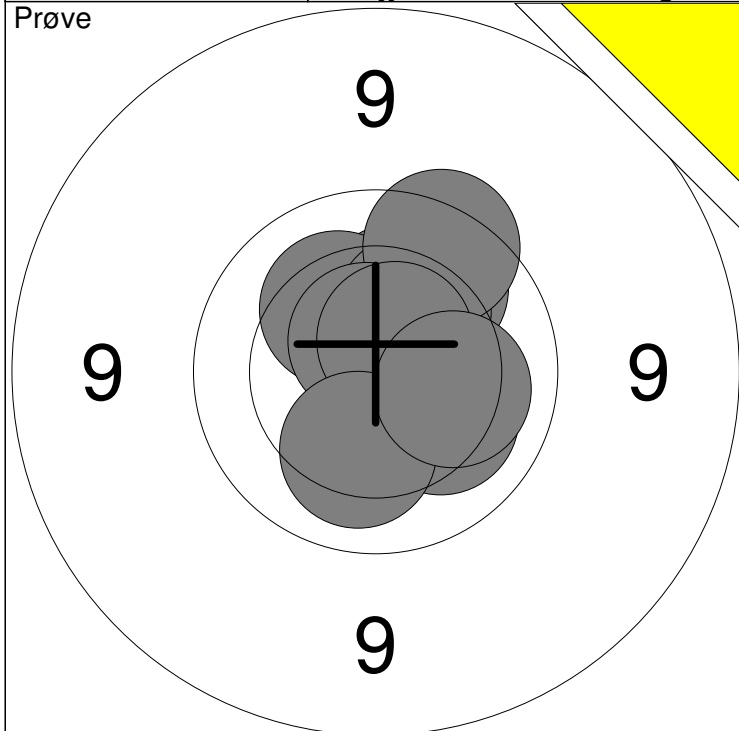
1:	10.7x	↑
2:	10.7x	↖
3:	10.6x	→
4:	10.4	↑
Serie		40.0
Total		0.0



1:	10.9x	↑
2:	10.6x	←
3:	10.6x	↘
4:	10.6x	→
5:	10.5	↗
6:	10.4	↙
7:	10.6x	↗
8:	10.3	↗
9:	10.3	↑
10:	9.9	↙
Serie		99.0
Total		99.0

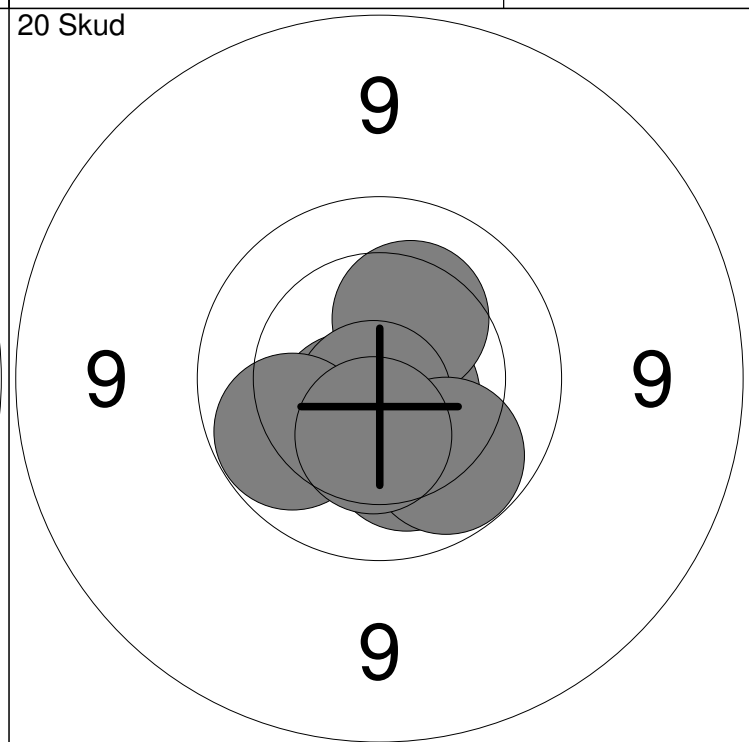
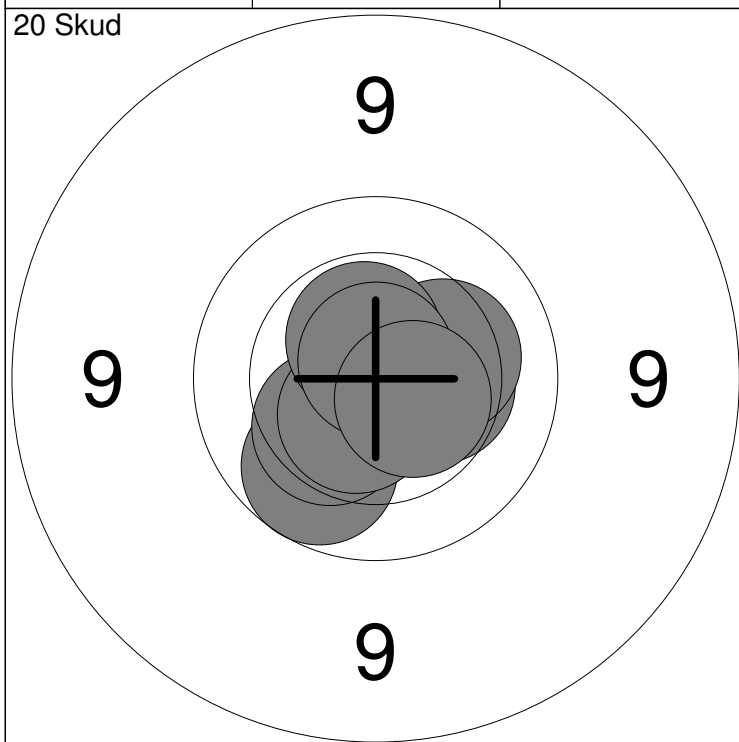


11:	10.1	→
12:	10.2	→
13:	10.6x	↙
14:	10.7x	↙
15:	10.4	↘
16:	10.7x	↗
17:	10.7x	↑
18:	10.4	↙
19:	10.7x	↘
20:	10.3	↗
Serie		100.0
Total		199.0



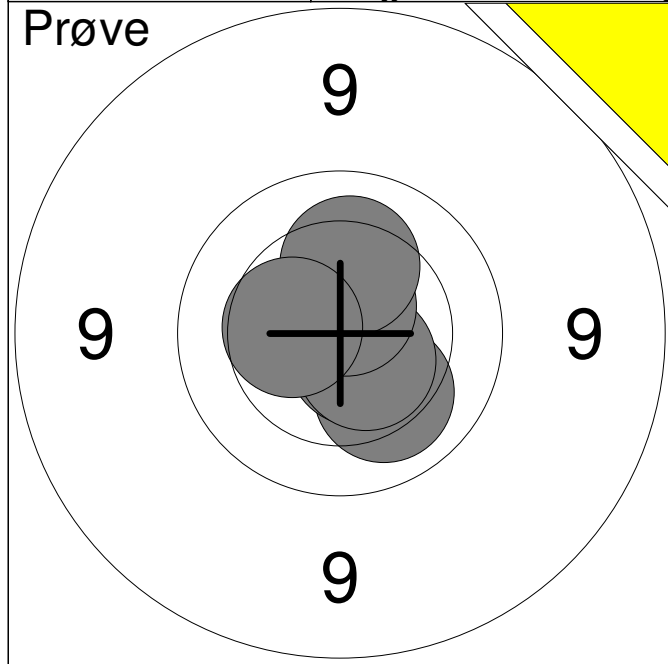
1: 10.2 ↗	6: 10.6x ↗	Serie	99
2: 10.0 ↗	7: 10.6x ↗		
3: 10.2 ↘	8: 10.2 ↘	Total	0
4: 10.3 ↗	9: 10.2 ↘		
5: 9.7 ↗	10: 10.2 →		

11: 10.1 ↘	Serie	10
	Total	0



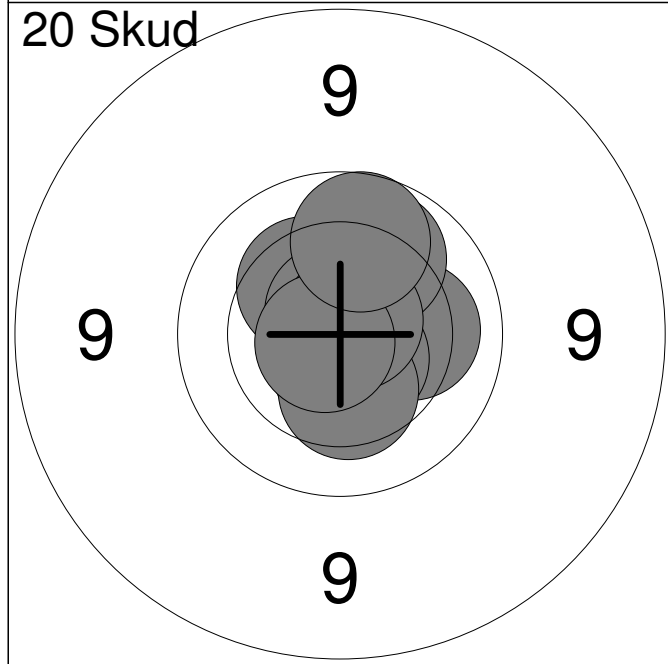
1: 9.9 ↘	6: 10.3 →	Serie	99
2: 10.3 ↘	7: 10.6x ↘		
3: 10.4 →	8: 10.6x ↗	Total	99
4: 10.8x ↘	9: 10.8x ↗		
5: 10.7x ↗	10: 10.5x →		

11: 10.4 ↘	16: 10.2 ↘	Serie	100
12: 10.6x ↘	17: 10.7x ↘		
13: 10.7x ↘	18: 10.0 ↘	Total	199
14: 10.3 ↗	19: 10.0 ↙		
15: 10.6x ↘	20: 10.4 ↘		



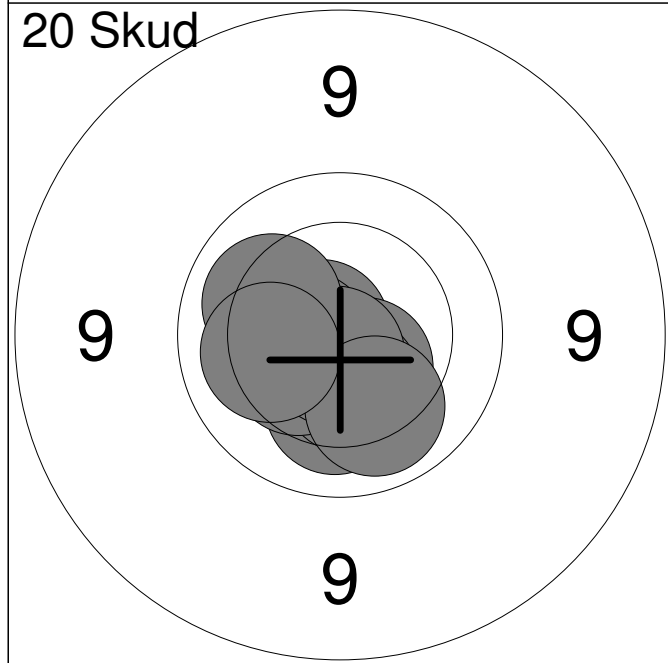
1:	10.2	↘
2:	10.6x	↘
3:	10.5x	↘
4:	10.7x	↑
5:	10.2	↑
6:	10.4	←

Serie	60.0
Total	0.0



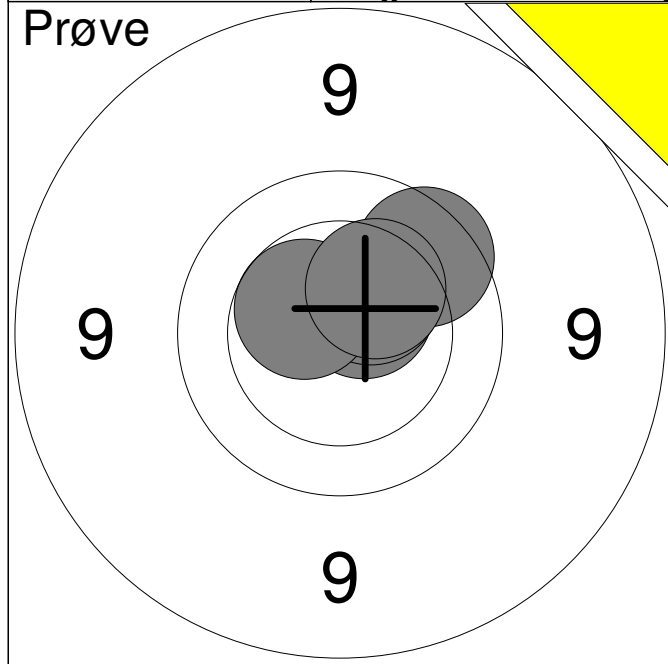
1:	10.3	↗
2:	10.2	→
3:	10.7x	↑
4:	10.1	↗
5:	10.6x	↓
6:	10.6x	↓
7:	10.4	↓
8:	10.7x	↗
9:	10.8x	←
10:	9.9	↑

Serie	99.0
Total	99.0

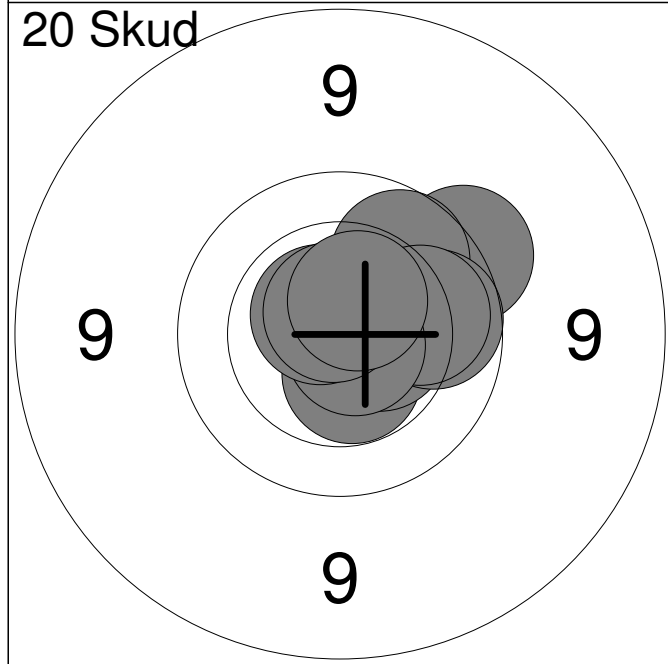


11:	10.7x	←
12:	10.5x	↘
13:	10.2	↓
14:	10.4	↓
15:	10.5x	←
16:	10.4	←
17:	10.7x	↓
18:	10.1	↗
19:	10.1	↓
20:	10.2	←

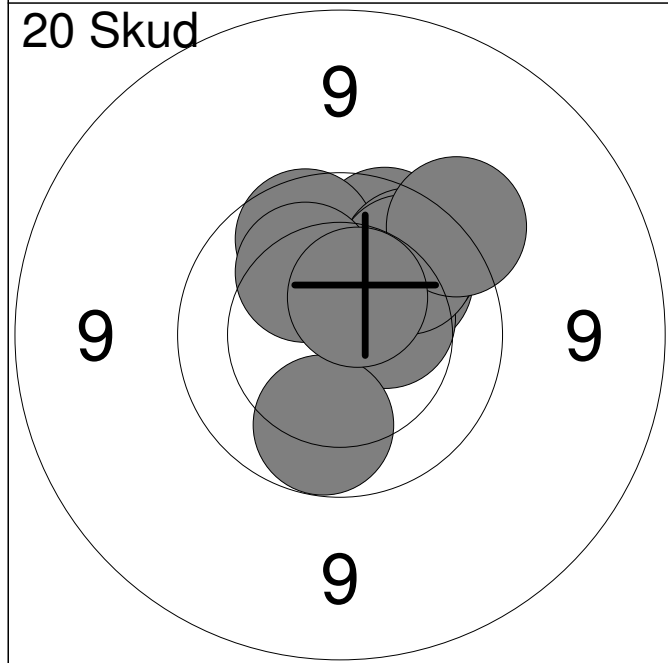
Serie	100.0
Total	199.0



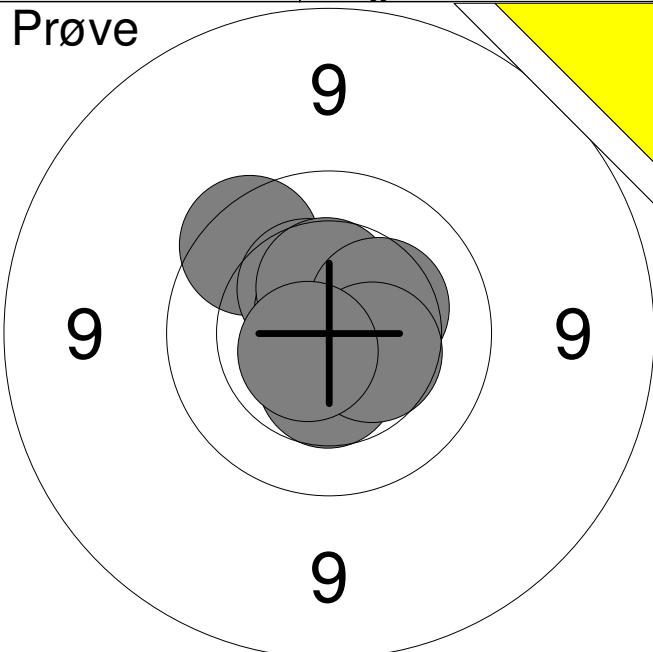
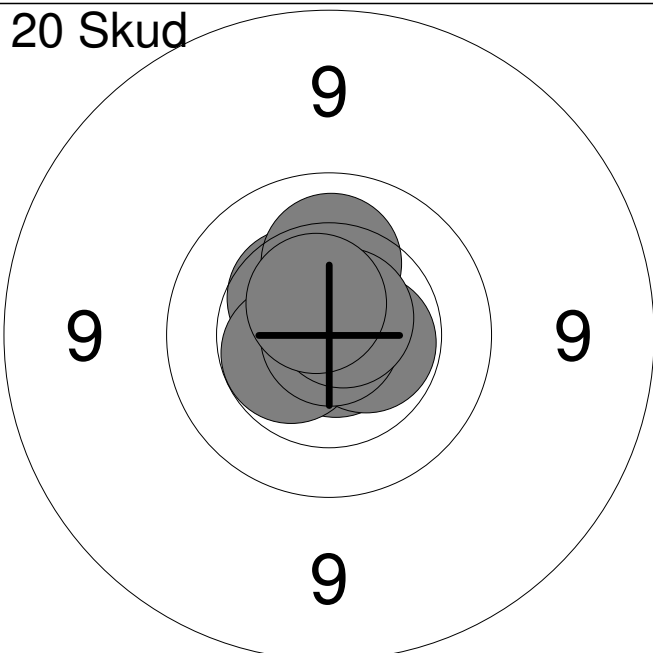
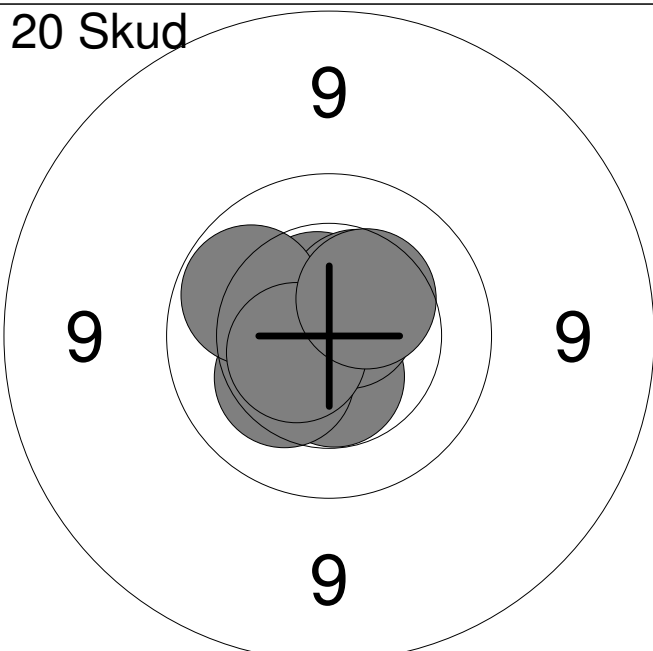
1:	9.8	↗
2:	10.6x	↗
3:	10.4	↗
4:	10.5	↖
5:	10.3	↗
Serie		49.0
Total		0.0

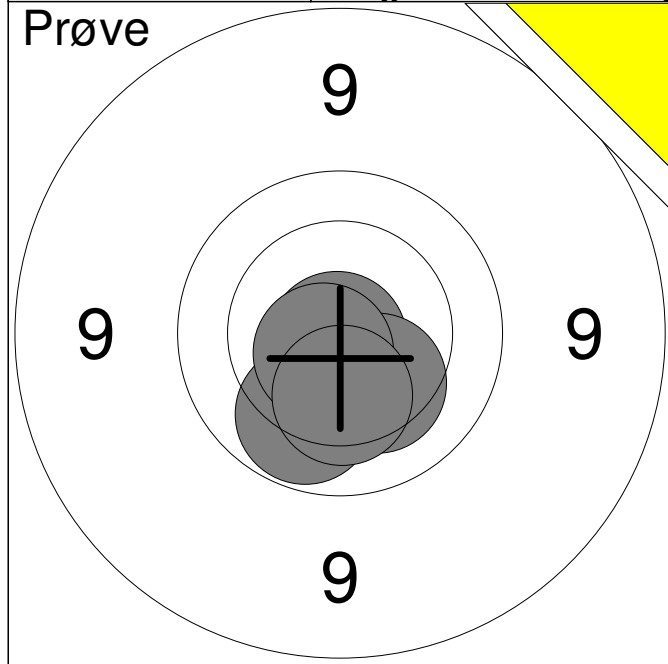


1:	9.6	↗
2:	10.5x	↓
3:	10.5x	→
4:	9.9	↗
5:	9.9	→
6:	10.1	→
7:	10.7x	↓
8:	10.7x	↖
9:	10.7x	↑
10:	10.5x	↗
Serie		97.0
Total		97.0

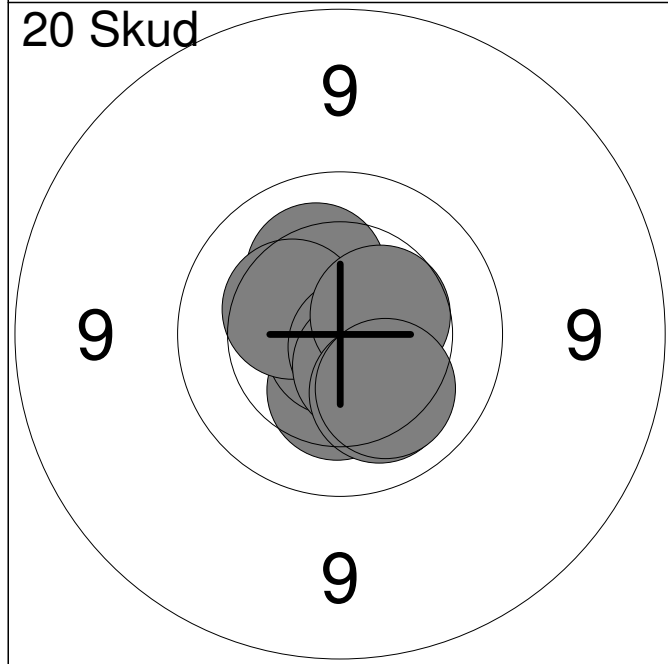


11:	10.1	↗
12:	9.9	↑
13:	10.4	→
14:	9.9	↖
15:	9.9	↗
16:	9.9	↗
17:	10.0	↓
18:	10.2	↖
19:	9.5	↗
20:	10.5x	↑
Serie		95.0
Total		192.0

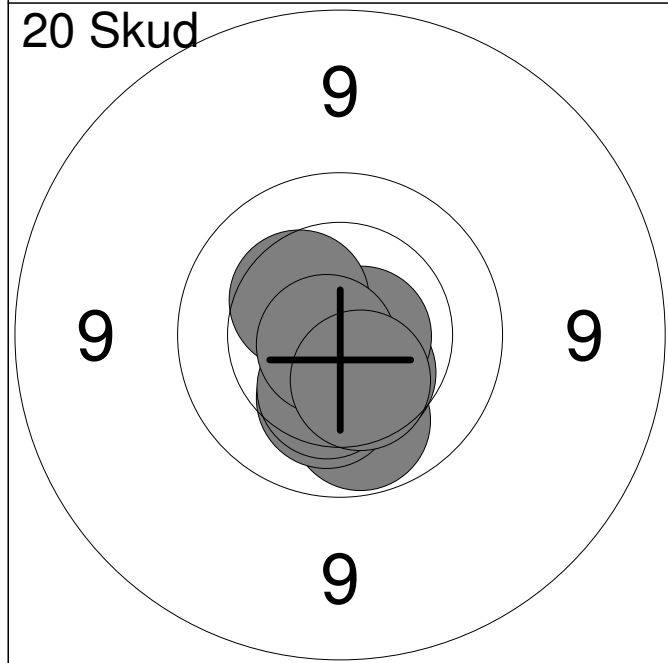
Hold	Skive		
32	4	Kaj Mørk	
15m		Vester Hassing Skf.	MJ1
		Nordjysk Mesterskab Ungdom	Aalborg Skyttekreds
Prøve		1: 9.8	↗
		2: 10.4	↗
		3: 10.7x	↗
		4: 10.5	↗
		5: 10.3	↗
		6: 10.5	↓
		7: 10.4	↘
		8: 10.6x	↙
		Serie	79.0
		Total	0.0
20 Skud		1: 10.8x	↗
		2: 10.8x	↓
		3: 10.7x	↗
		4: 10.4	↗
		5: 10.2	↗
		6: 10.5x	↙
		7: 10.5x	→
		8: 10.9x	↘
		9: 10.7x	↗
		10: 10.6x	↗
		Serie	100.0
		Total	100.0
20 Skud		11: 10.6x	↙
		12: 10.6x	←
		13: 10.6x	↗
		14: 10.5x	↓
		15: 10.5	↗
		16: 10.7x	↗
		17: 10.3	↙
		18: 10.0	↙
		19: 10.6x	↙
		20: 10.4	↗
		Serie	100.0
		Total	200.0



1:	10.9x	↘
2:	10.0	↘
3:	10.3	↘
4:	10.7x	↘
5:	10.3	↓
Serie		50.0
Total		0.0



1:	10.3	↓
2:	10.8x	↘
3:	10.7x	→
4:	10.2	↗
5:	10.4	↗
6:	10.7x	↘
7:	10.5x	↘
8:	10.5	→
9:	10.2	↘
10:	10.2	↘
Serie		100.0
Total		100.0

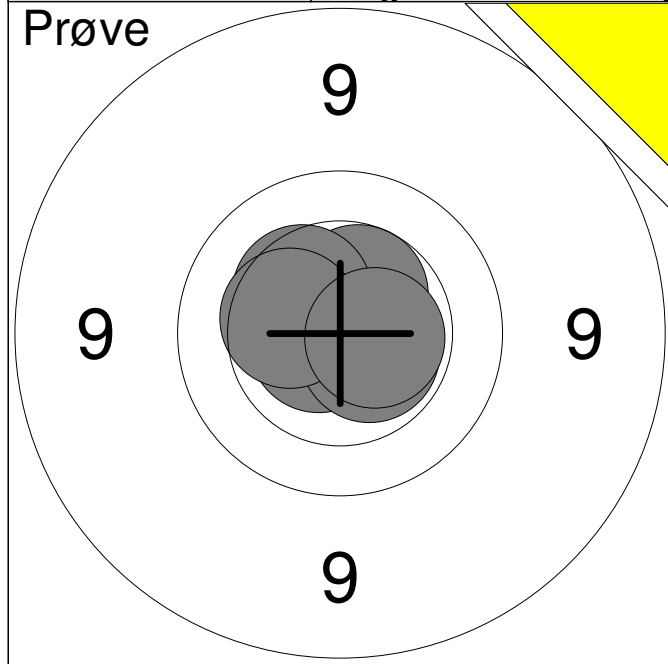


11:	10.0	↓
12:	10.6x	↘
13:	10.9x	↘
14:	10.5	↘
15:	10.2	↘
16:	10.3	↘
17:	10.7x	→
18:	10.4	↗
19:	10.8x	↘
20:	10.4	↓
Serie		100.0
Total		200.0

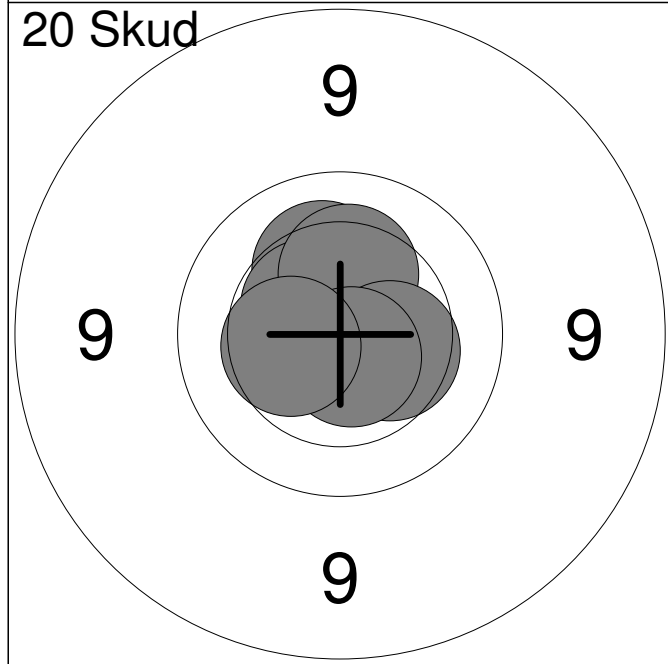
Hold 32	Skive 6	Louise Karstoft
-------------------	-------------------	------------------------

15m	Vodskov Skytteforening	MB1
-----	------------------------	-----

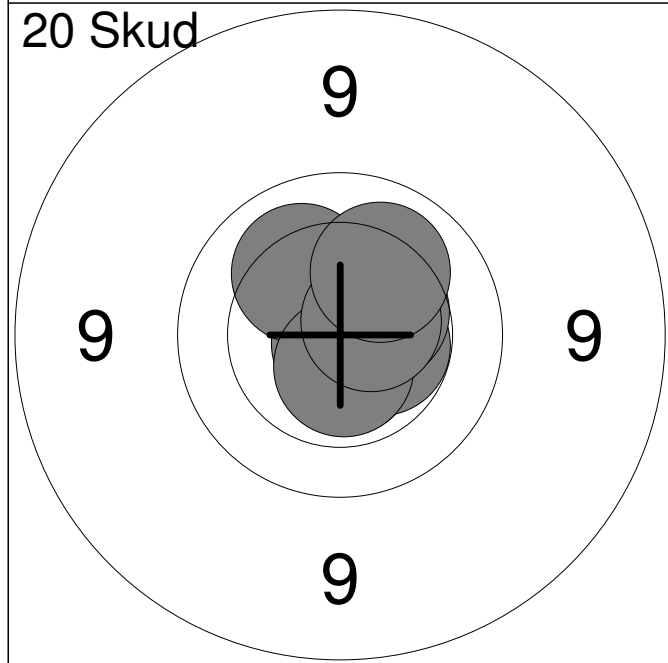
	Nordjysk Mesterskab Ungdom	Aalborg Skyttekreds
--	----------------------------	---------------------



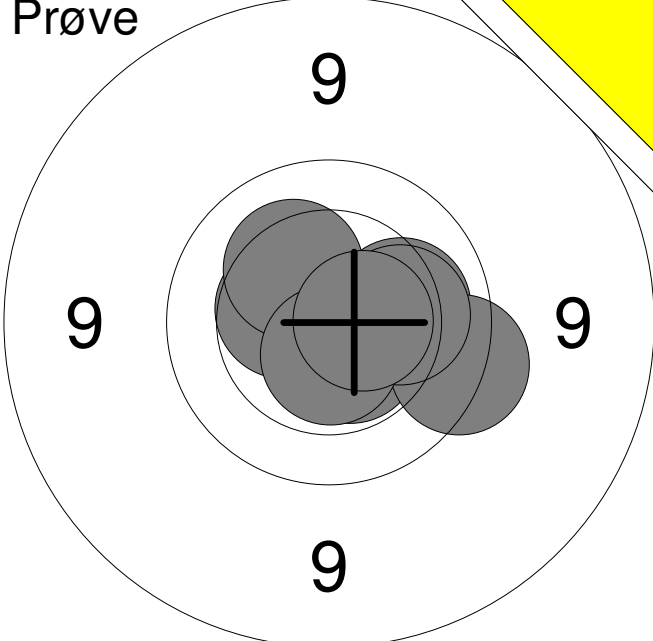
1:	10.5x	↗
2:	10.7x	↖
3:	10.4	↗
4:	10.6x	↘
5:	10.4	↗
6:	10.6x	↘
Serie		60.0
Total		0.0

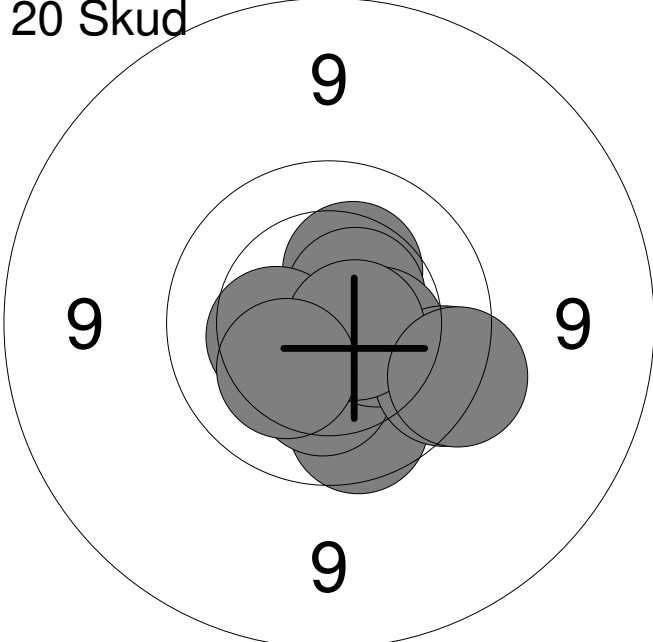


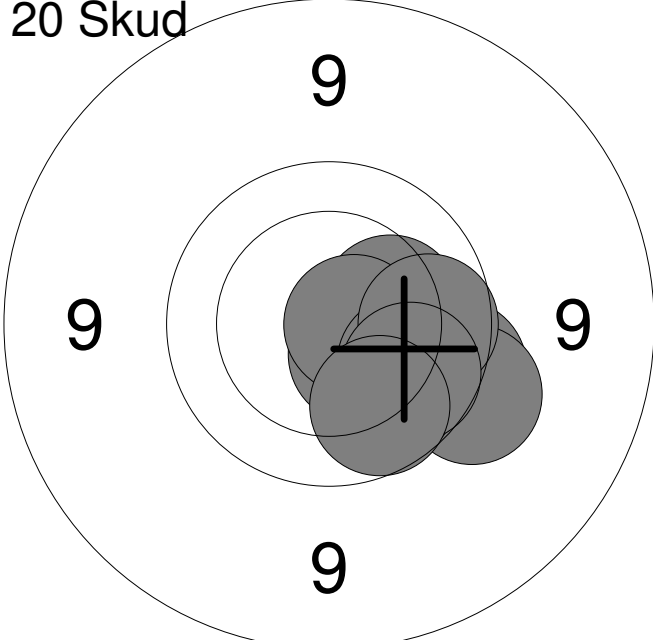
1:	10.8x	↖
2:	10.2	↗
3:	10.6x	↗
4:	10.6x	↗
5:	10.7x	↗
6:	10.5x	↗
7:	10.3	↗
8:	10.4	↘
9:	10.7x	↘
10:	10.4	↖
Serie		100.0
Total		100.0

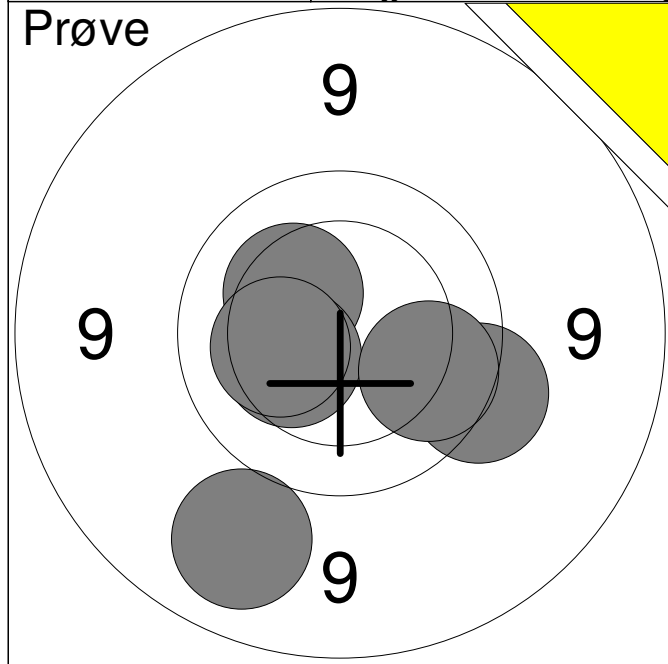


11:	10.7x	↗
12:	10.6x	↘
13:	10.5x	↘
14:	10.3	↗
15:	10.9x	↘
16:	10.2	↗
17:	10.5	↘
18:	10.6x	↘
19:	10.6x	↘
20:	10.1	↗
Serie		100.0
Total		200.0

Prøve 	1:	10.5x	↘	
	2:	10.2	→	
	3:	9.7	↘	
	4:	10.4	↗	
	5:	10.2	→	
	6:	10.3	↗	
	7:	10.6x	↘	
	8:	10.6x	→	
	Serie		79.0	
	Total		0.0	

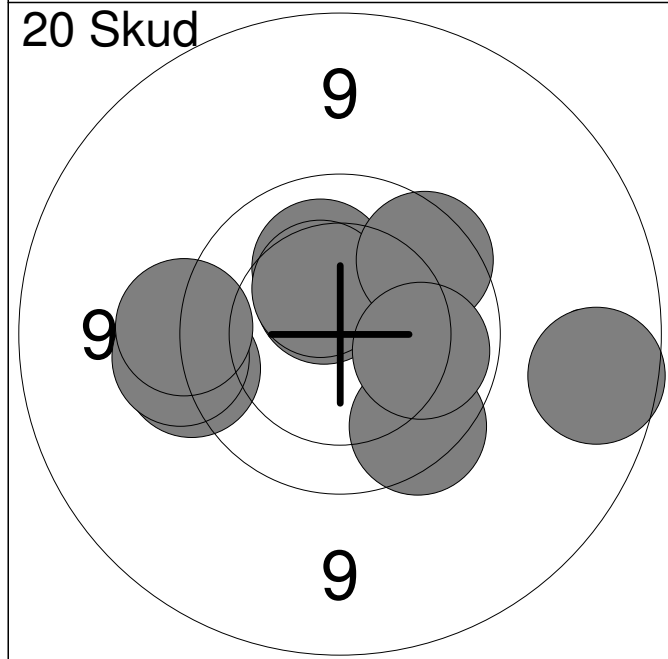
20 Skud 	1:	9.9	↘
	2:	10.3	↗
	3:	10.3	↘
	4:	10.5x	↗
	5:	10.4	←
	6:	10.4	→
	7:	9.7	↘
	8:	10.7x	→
	9:	9.7	↘
	10:	10.3	↙
	Serie		97.0
Total		97.0	

20 Skud 	11:	9.7	→
	12:	10.5x	↘
	13:	10.3	→
	14:	9.5	↘
	15:	10.0	↘
	16:	10.7x	→
	17:	10.0	↘
	18:	9.9	→
	19:	9.9	↘
	20:	9.9	↘
	Serie		95.0
Total		192.0	



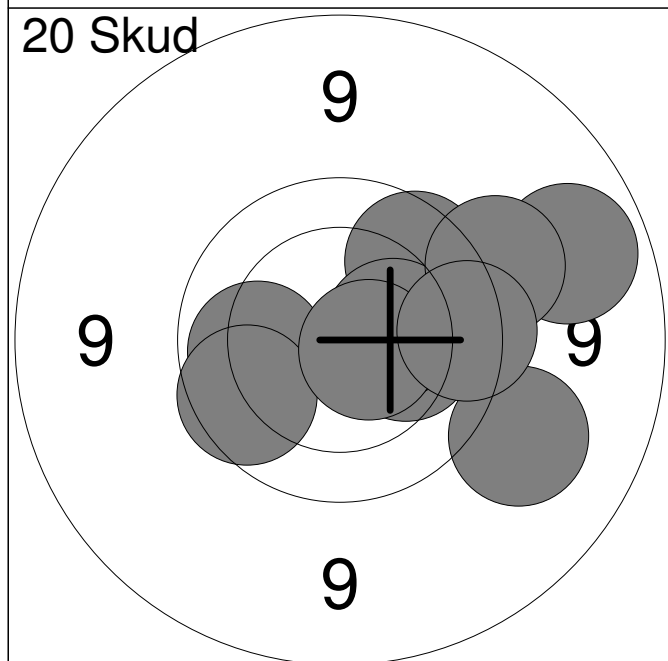
1:	9.1	↙
2:	10.3	↗
3:	10.4	↙
4:	9.6	↘
5:	9.9	↘
6:	10.3	↙

Serie	57.0
Total	0.0



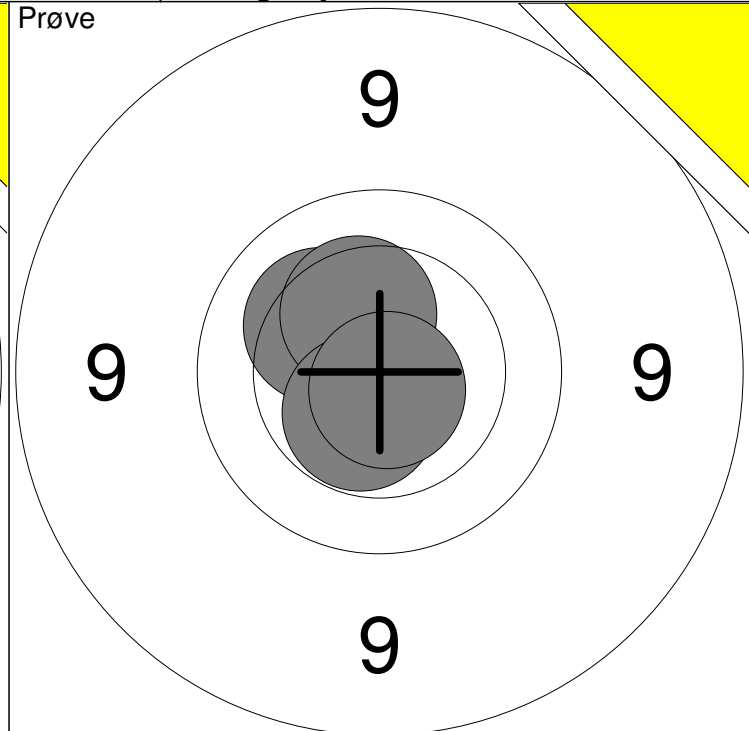
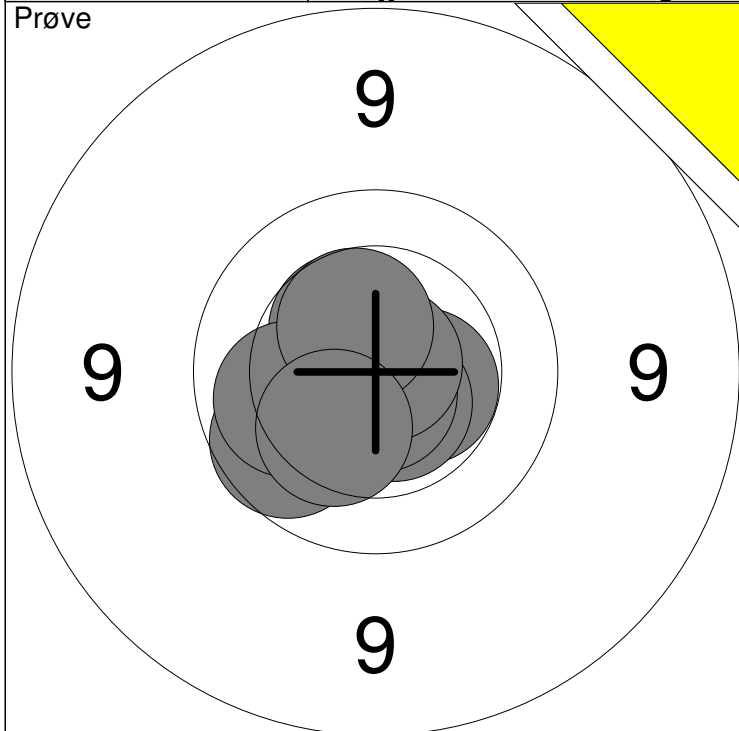
1:	9.6	←
2:	10.2	↗
3:	10.5x	↗
4:	9.5	←
5:	10.4	↗
6:	9.8	↘
7:	9.5	←
8:	9.8	↗
9:	8.9	→
10:	10.0	→

Serie	93.0
Total	93.0



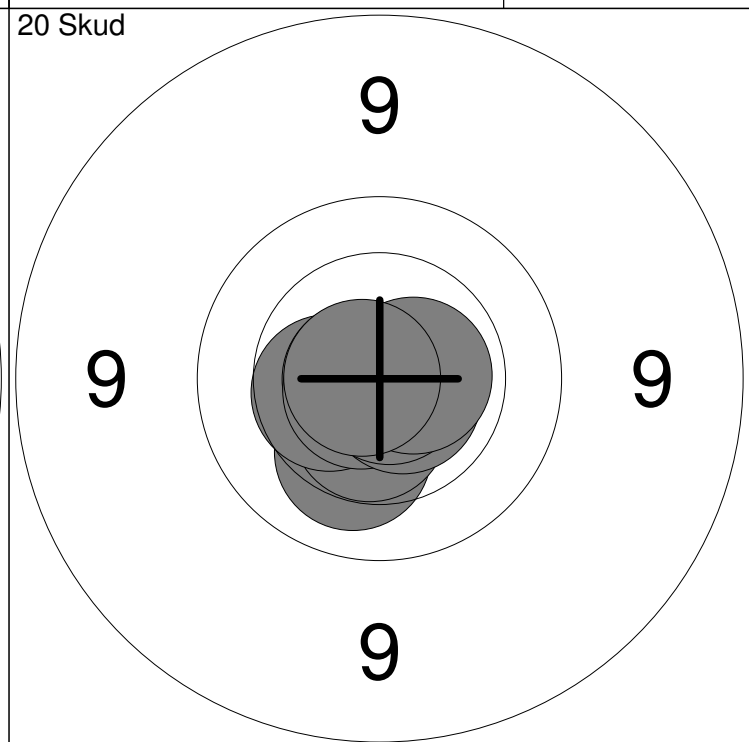
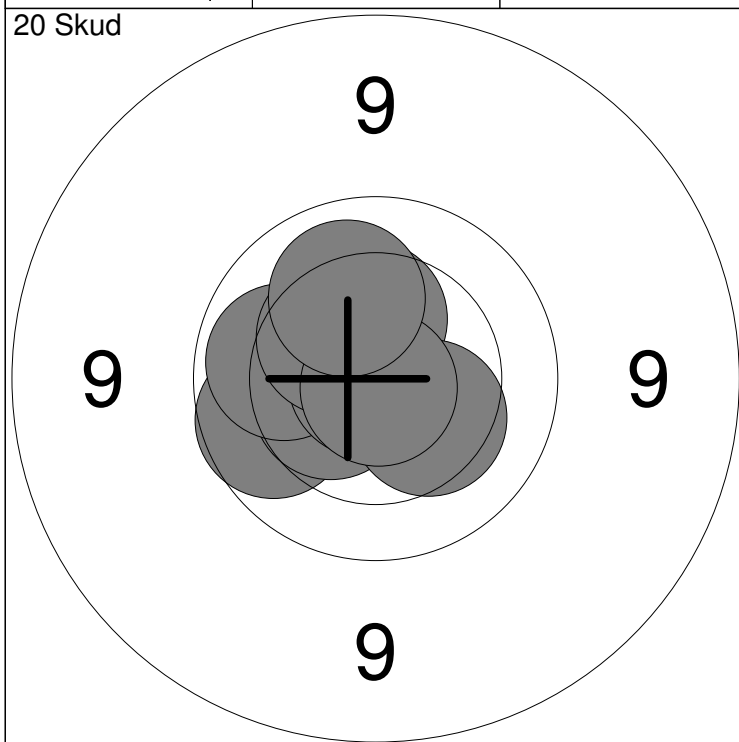
11:	9.0	↗
12:	10.0	←
13:	10.2	→
14:	9.9	↗
15:	9.9	↙
16:	10.4	→
17:	9.5	↗
18:	10.6x	→
19:	9.3	↘
20:	9.7	→

Serie	94.0
Total	187.0



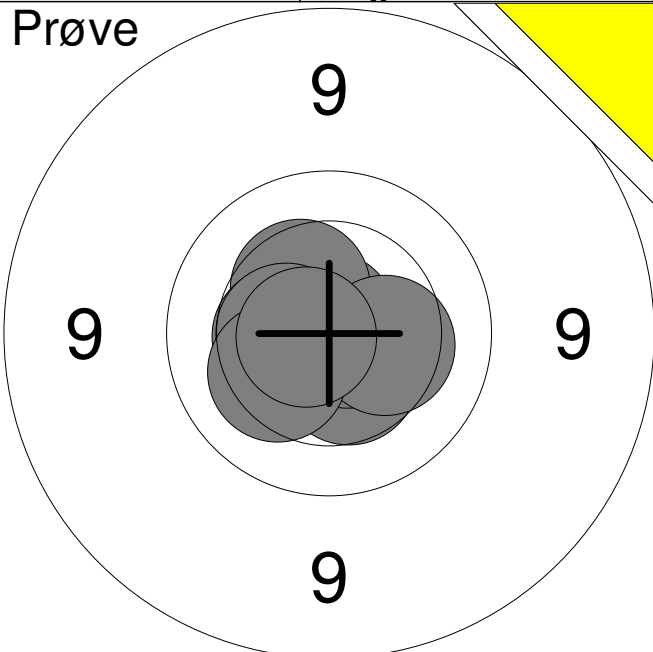
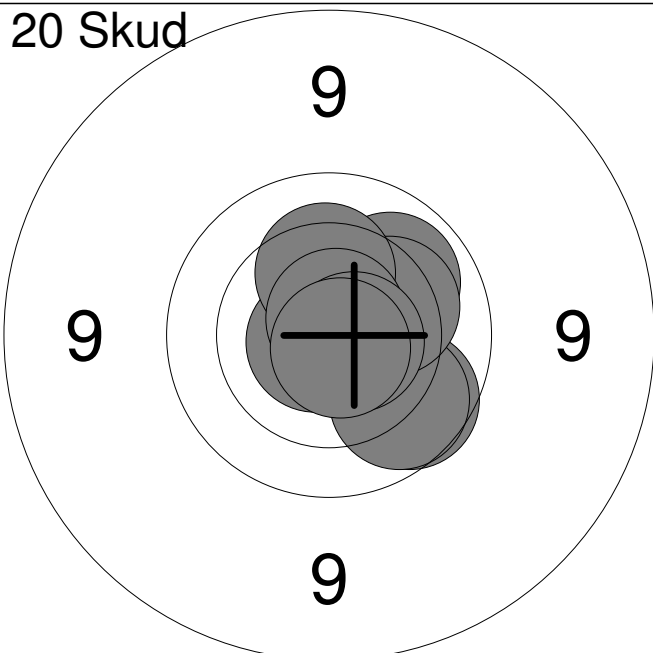
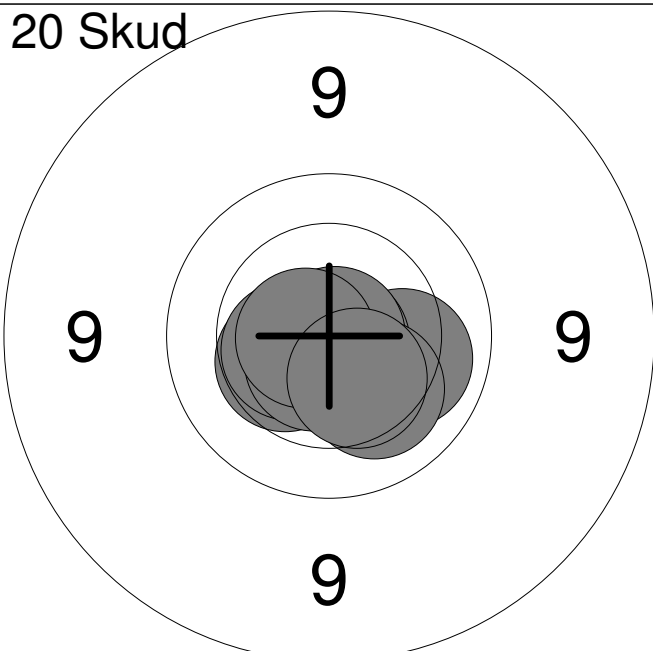
1: 10.5x →	6: 10.5 ↖	Serie	99
2: 10.6x ←	7: 10.8x ↗		
3: 9.9 ↙	8: 10.1 ←	Total	0
4: 10.6x ↓	9: 10.5 ↗		
5: 10.7x ↓	10: 10.3 ↘		

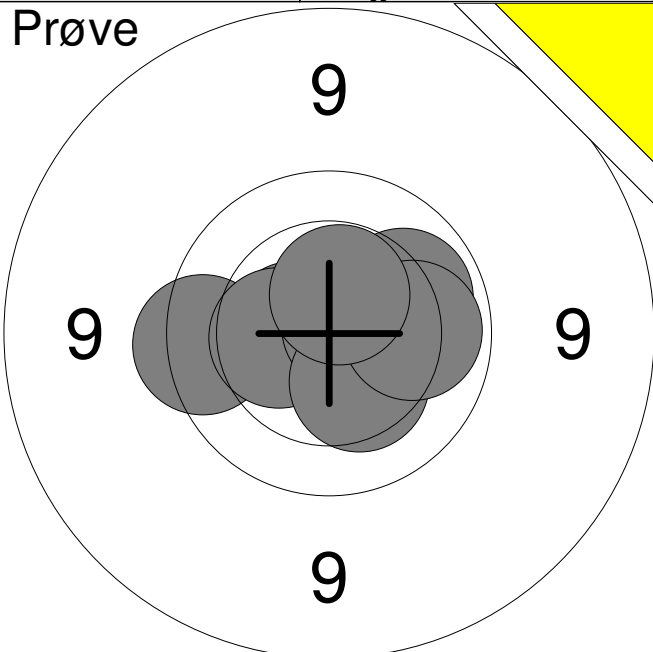
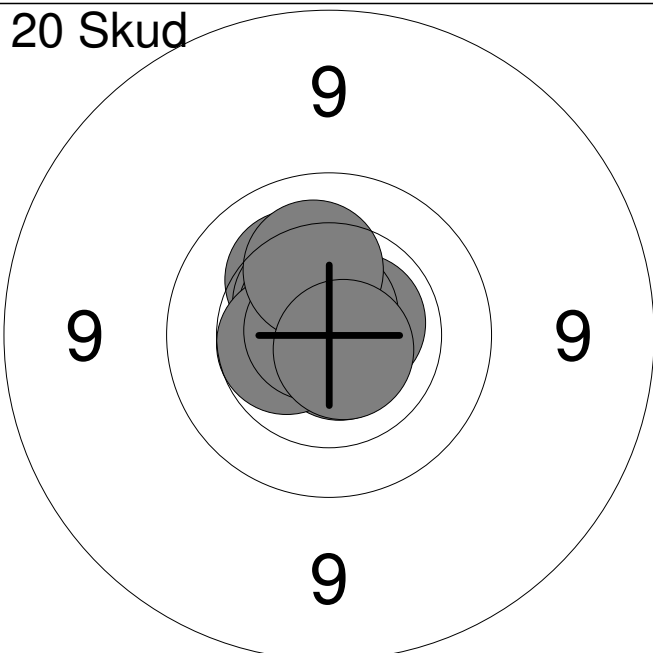
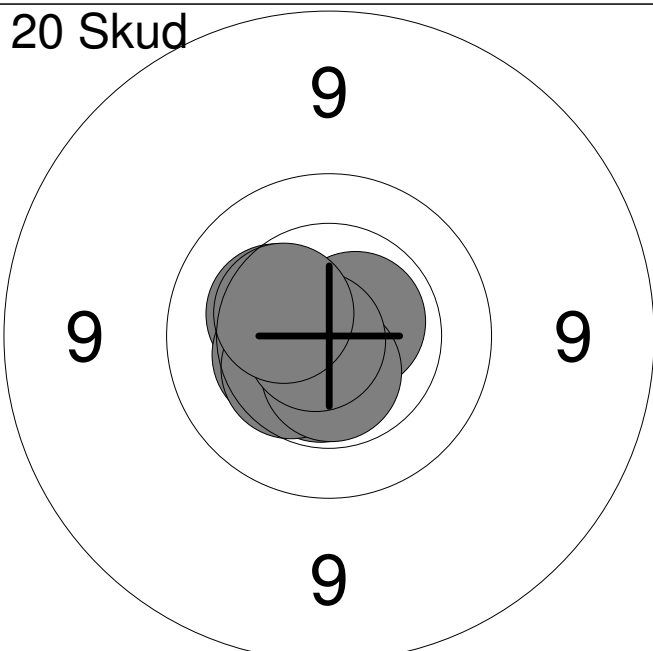
11: 10.2 ↖	Serie	40
12: 10.4 ↗		
13: 10.5x ↘	Total	0
14: 10.8x ↓		



1: 10.5 ↖	6: 10.3 ↓	Serie	99
2: 9.9 ←	7: 10.9x ←		
3: 10.4 ↑	8: 10.4 ↗	Total	99
4: 10.5 ←	9: 10.9x ↓		
5: 10.1 ←	10: 10.1 ↗		

11: 10.6x ←	16: 10.7x ↙	Serie	100
12: 10.2 ↓	17: 10.7x ↘		
13: 10.5x ↓	18: 10.8x ↘	Total	199
14: 10.5 ←	19: 10.6x →		
15: 10.8x ←	20: 10.8x ←		

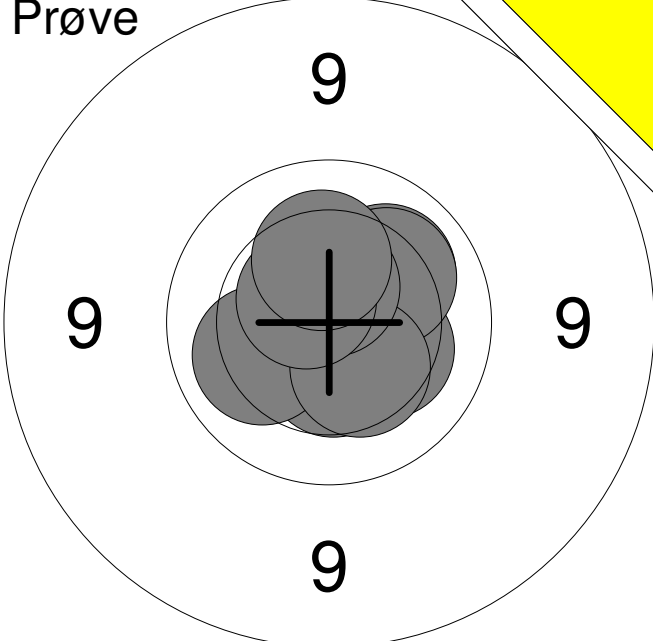
Hold 32	Skive 10	Trine Herskind	
15m	Vodskov Skytteforening	MB1	
	Nordjysk Mesterskab Ungdom	Aalborg Skyttekreds	
Prøve 	1:	10.5x	↙
	2:	10.5	↘
	3:	10.8x	→
	4:	10.8x	↑
	5:	10.4	↗
	6:	10.4	←
	7:	10.5	←
	8:	10.3	→
	9:	10.3	↙
	10:	10.7x	←
	Serie		100.0
Total		0.0	
20 Skud 	1:	10.8x	↙
	2:	10.1	↗
	3:	9.9	↘
	4:	9.9	↘
	5:	10.5	↗
	6:	10.2	↗
	7:	10.3	↑
	8:	10.8x	↑
	9:	10.7x	→
	10:	10.8x	↘
	Serie		98.0
Total		98.0	
20 Skud 	11:	10.4	↙
	12:	10.8x	↘
	13:	10.5x	←
	14:	10.1	→
	15:	10.6x	↘
	16:	10.8x	↘
	17:	10.9x	→
	18:	10.7x	←
	19:	10.2	↘
	20:	10.4	↘
	Serie		100.0
Total		198.0	

Hold	Skive	Magnus Larsen	
32	11		
15m	Vodskov Skytteforening	MB1	
	Nordjysk Mesterskab Ungdom	Aalborg Skyttekreds	
Prøve		1: 9.7 ←	
		2: 10.6x ←	
		3: 10.4 ←	
		4: 10.6x ↗	
		5: 10.1 ↗	
		6: 10.7x →	
		7: 10.3 ↓	
		8: 10.0 →	
		9: 10.5x ↑	
		Serie	89.0
		Total	0.0
20 Skud		1: 10.2 ↗	
		2: 10.5x ↗	
		3: 10.6x ↗	
		4: 10.6x →	
		5: 10.8x ↓	
		6: 10.7x ↑	
		7: 10.5 ←	
		8: 10.8x ←	
		9: 10.2 ↑	
		10: 10.7x ↓	
		Serie	100.0
		Total	100.0
20 Skud		11: 10.3 ←	
		12: 10.6x →	
		13: 10.6x ←	
		14: 10.5x ↓	
		15: 10.6x ←	
		16: 10.4 ←	
		17: 10.4 ←	
		18: 10.6x ↓	
		19: 10.8x ←	
		20: 10.4 ↖	
		Serie	100.0
		Total	200.0

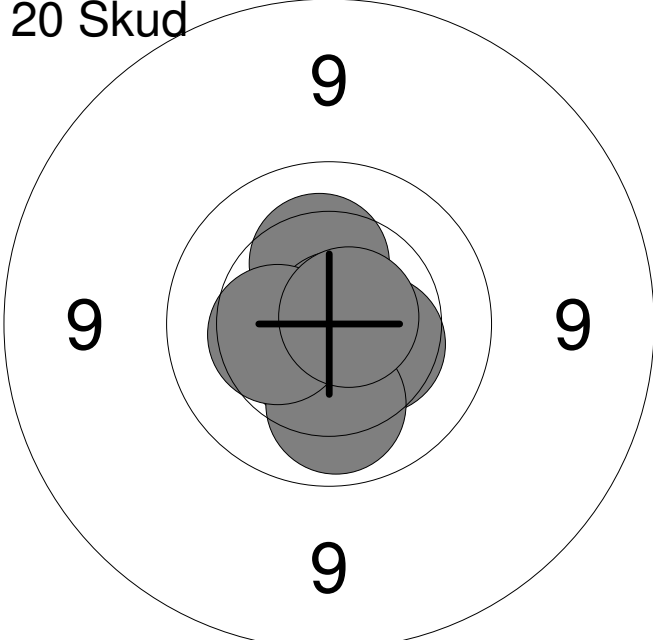
Hold 32	Skive 12	Christine Svindborg
-------------------	--------------------	----------------------------

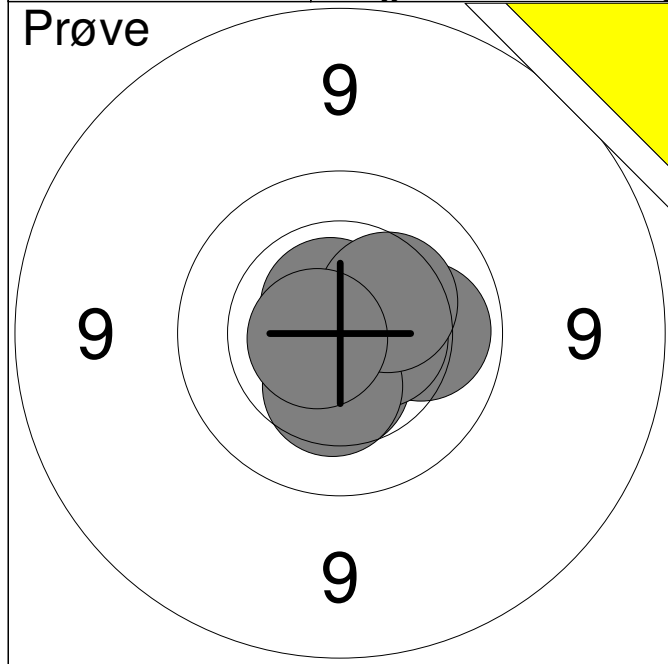
15m	Vodskov Skytteforening	MB1
-----	------------------------	-----

	Nordjysk Mesterskab Ungdom	Aalborg Skyttekreds
--	----------------------------	---------------------

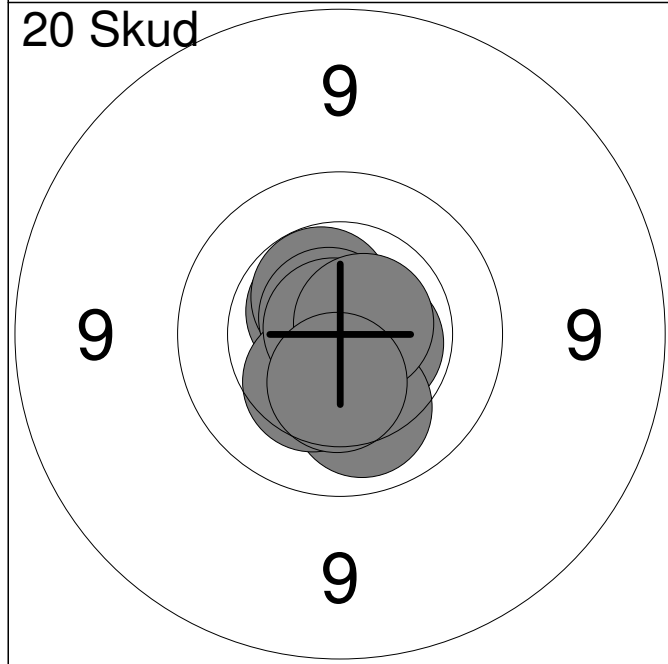
Prøve 	1: 10.5	↓
	2: 10.1	↗
	3: 10.3	→
	4: 10.1	↖
	5: 10.3	↗
	6: 10.2	↗
	7: 10.4	↓
	8: 10.6x	↑
	9: 10.6x	↖
	10: 10.3	↑
	Serie	100.0
Total	0.0	

20 Skud 	1: 10.4	←
	2: 10.6x	↓
	3: 10.4	↗
	4: 10.4	↓
	5: 10.0	↗
	6: 10.5x	←
	7: 10.7x	↓
	8: 10.4	↗
	9: 10.5	←
	10: 10.3	↖
	Serie	100.0
Total	100.0	

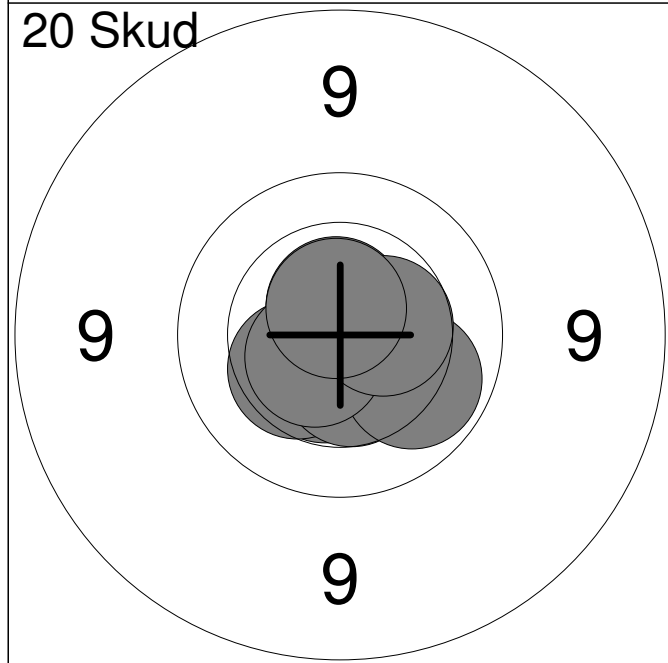
20 Skud 	11: 10.6x	←
	12: 10.6x	↑
	13: 10.3	↑
	14: 10.6x	↓
	15: 10.4	→
	16: 10.8x	→
	17: 10.8x	↖
	18: 10.1	↓
	19: 10.4	←
	20: 10.7x	→
	Serie	100.0
Total	200.0	



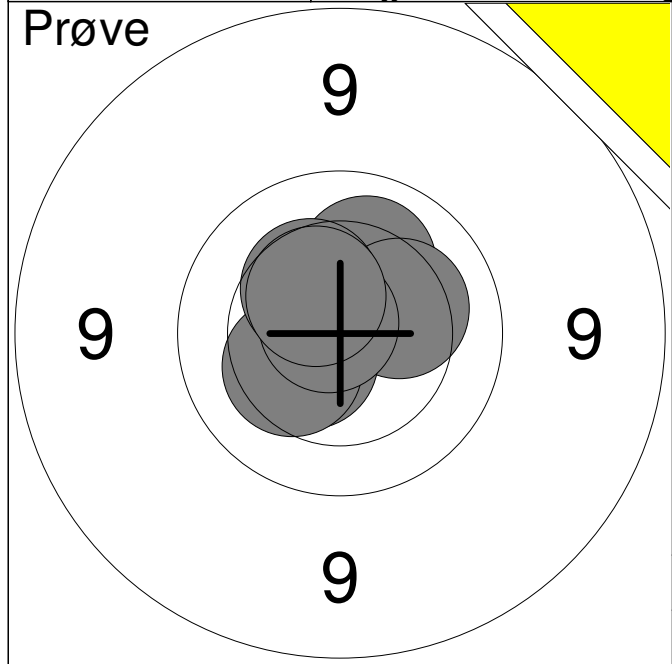
1:	10.1	→
2:	10.4	↓
3:	10.5x	→
4:	10.4	↓
5:	10.7x	↑
6:	10.3	↗
7:	10.7x	←
Serie	70.0	
Total	0.0	



1:	10.6x	↗
2:	10.8x	→
3:	10.6x	→
4:	10.1	↓
5:	10.5x	↑
6:	10.7x	↗
7:	10.4	↓
8:	10.9x	↗
9:	10.7x	→
10:	10.4	↓
Serie	100.0	
Total	100.0	

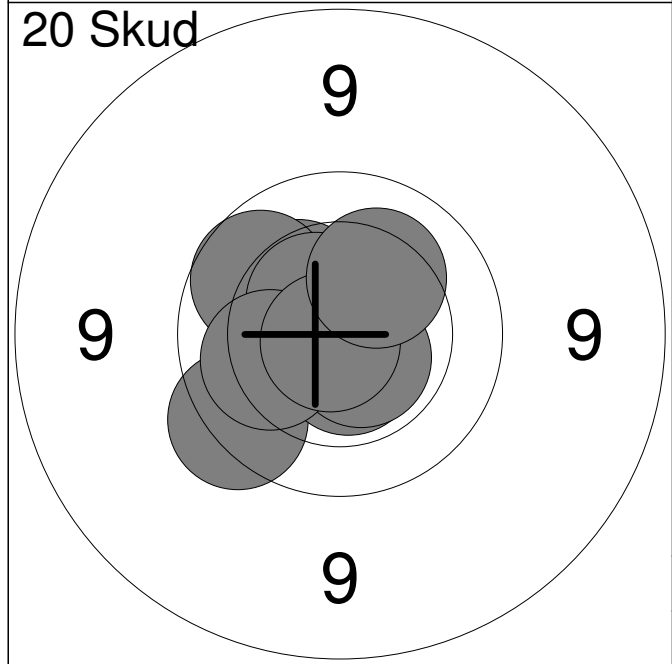


11:	10.5x	↓
12:	10.6x	↓
13:	10.4	↙
14:	10.6x	↑
15:	10.7x	↓
16:	10.5	↓
17:	10.0	↓
18:	10.6x	↙
19:	10.5	→
20:	10.7x	↑
Serie	100.0	
Total	200.0	



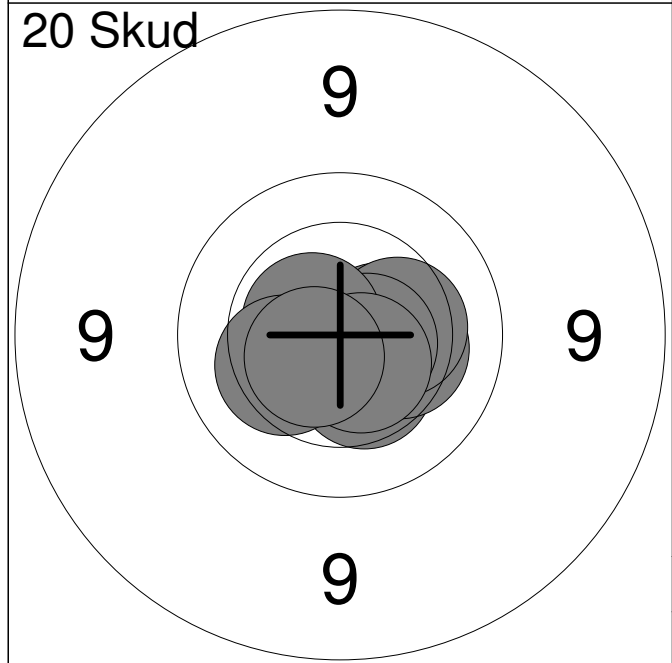
1:	10.2	↗
2:	10.7x	↗
3:	10.3	→
4:	10.5x	↖
5:	10.6x	↗
6:	10.3	↖
7:	10.8x	↗
8:	10.4	↗
9:	10.5	↗

Serie	90.0
Total	0.0



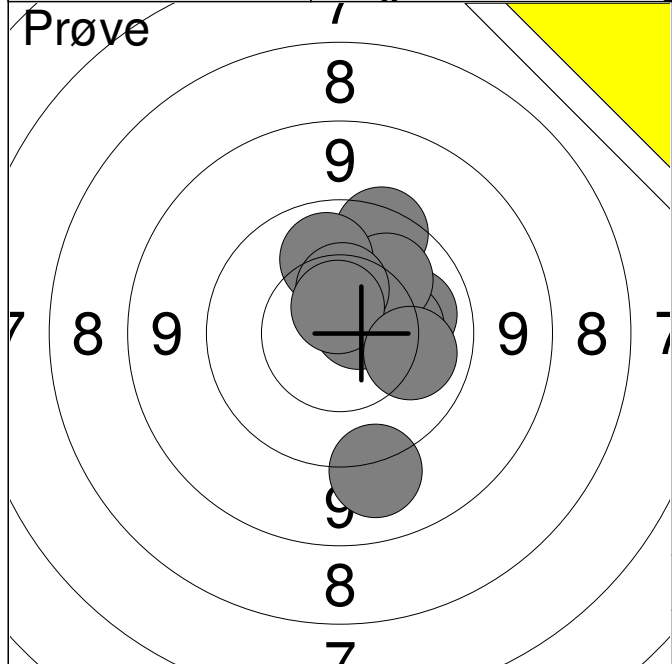
1:	10.3	↗
2:	9.9	↗
3:	10.7x	↖
4:	9.7	↖
5:	10.6x	↘
6:	10.5x	↘
7:	10.6x	↗
8:	10.6x	↘
9:	10.1	↖
10:	10.8x	↖
10:	10.2	↗

Serie	98.0
Total	98.0

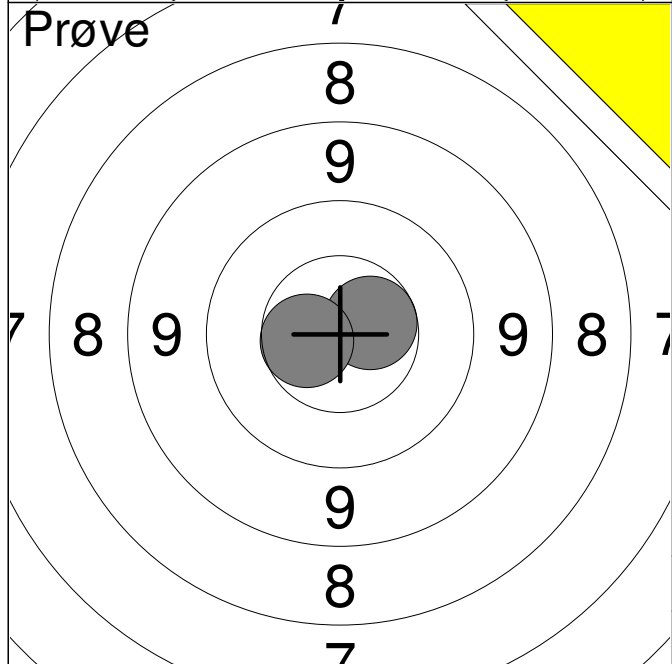


11:	10.4	↘
12:	10.3	→
13:	10.7x	→
14:	10.5x	→
15:	10.3	→
16:	10.6x	↖
17:	10.6x	↗
18:	10.3	↖
19:	10.6x	↘
20:	10.6x	↖

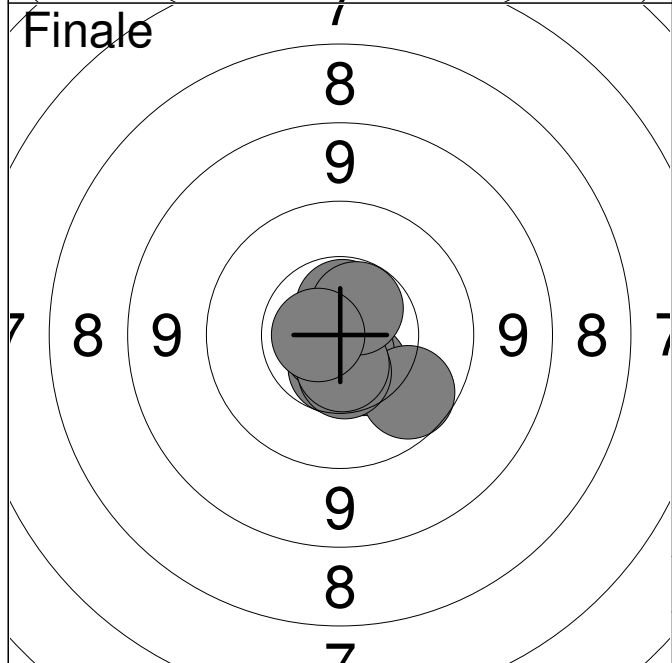
Serie	100.0
Total	198.0



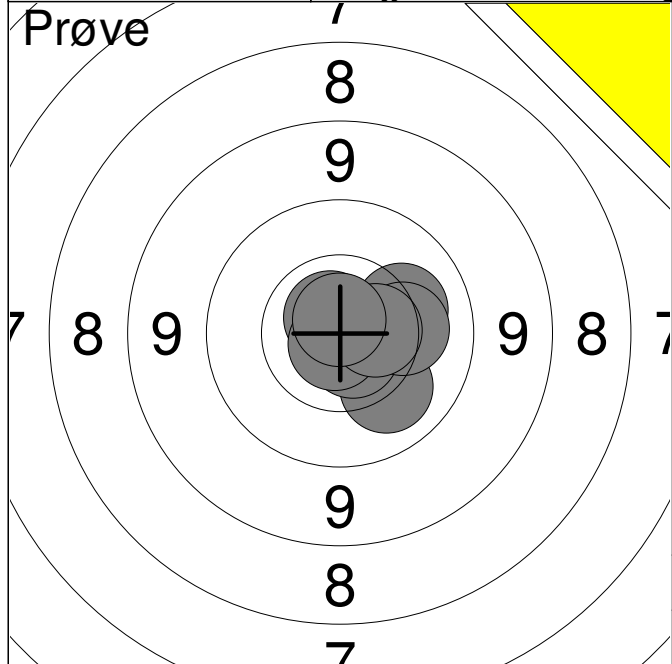
1:	9.2	↓
2:	10.1	→
3:	9.7	↑
4:	10.3	→
5:	10.7x	↗
6:	10.1	↗
7:	10.1	↑
8:	10.4	↑
9:	10.6x	↑
10:	10.1	→
Serie		101.3
Total		400.0



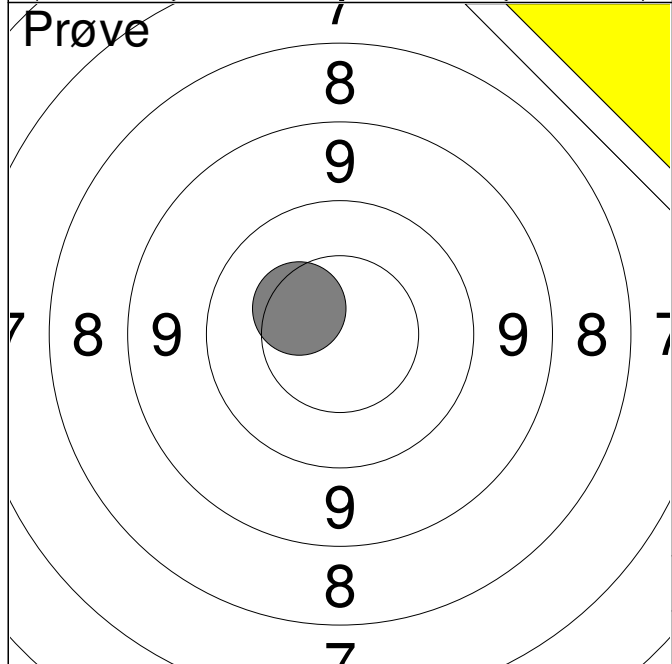
11:	10.6	→
12:	10.6	←
Serie		21.2
Total		400.0



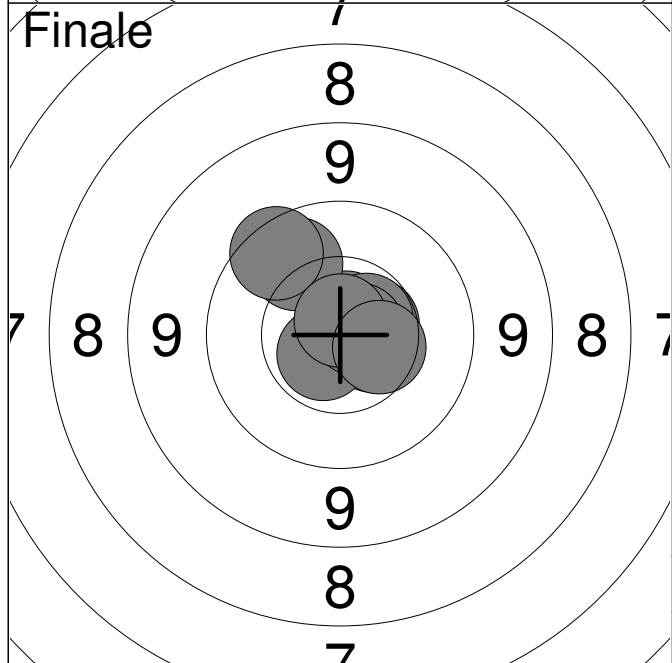
1:	10.6x	↑
2:	10.6	↓
3:	10.8x	↙
4:	10.5	↓
5:	10.7x	↓
6:	9.9	↓
7:	10.5	↓
8:	10.6x	↓
9:	10.6x	↗
10:	10.7x	←
Serie		105.5
Total		505.5



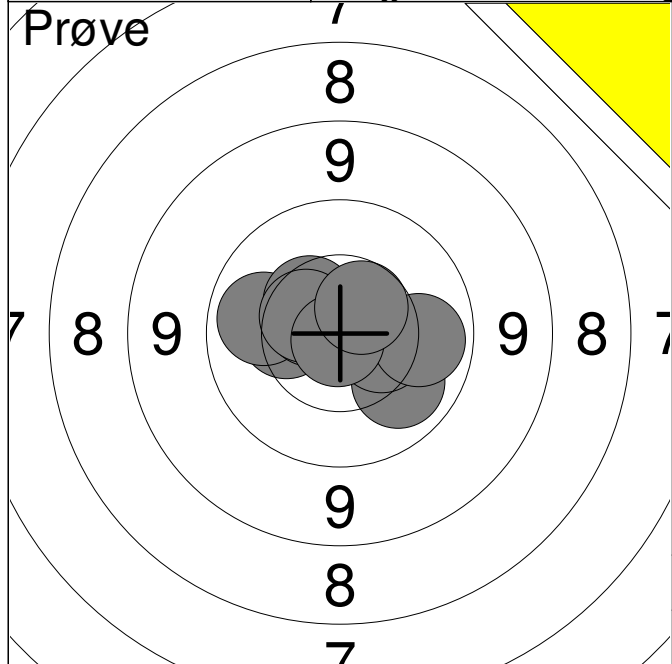
1:	10.9x	←
2:	10.7x	↗
3:	10.8x	↓
4:	10.1	↓
5:	10.7x	↓
6:	10.8x	↓
7:	10.2	→
8:	10.2	→
9:	10.5	→
10:	10.8x	↑
Serie		105.7
Total		400.0



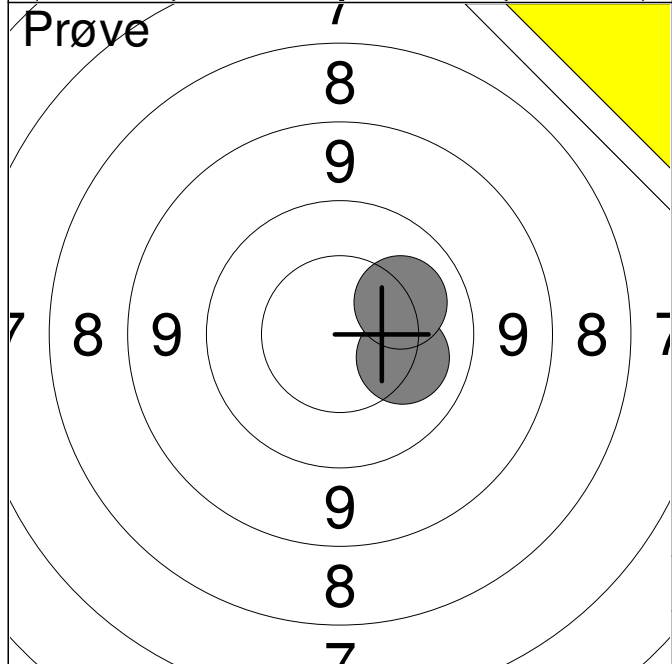
11:	10.4	↖
Serie		10.4
Total		400.0



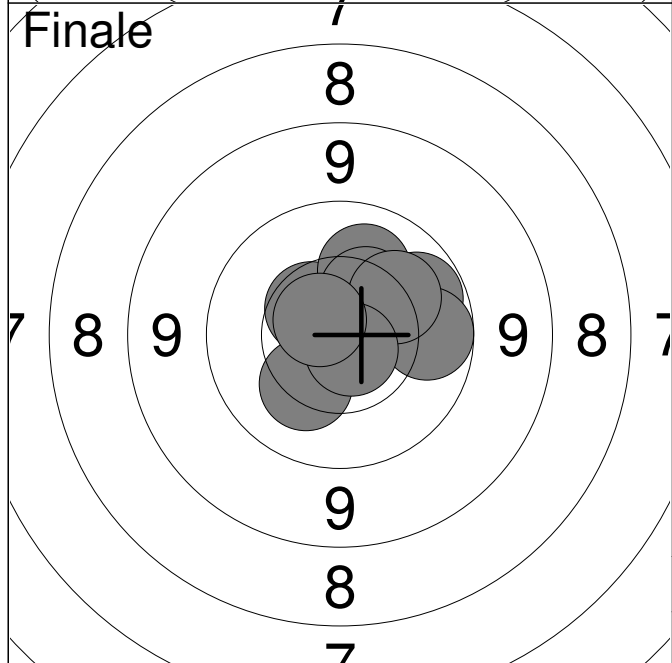
1:	10.7x	↑
2:	10.0	↗
3:	10.6	→
4:	10.6	→
5:	9.7	↗
6:	10.7x	↙
7:	10.6x	→
8:	10.7x	→
9:	10.8x	↑
10:	10.5	→
Serie		104.9
Total		504.9



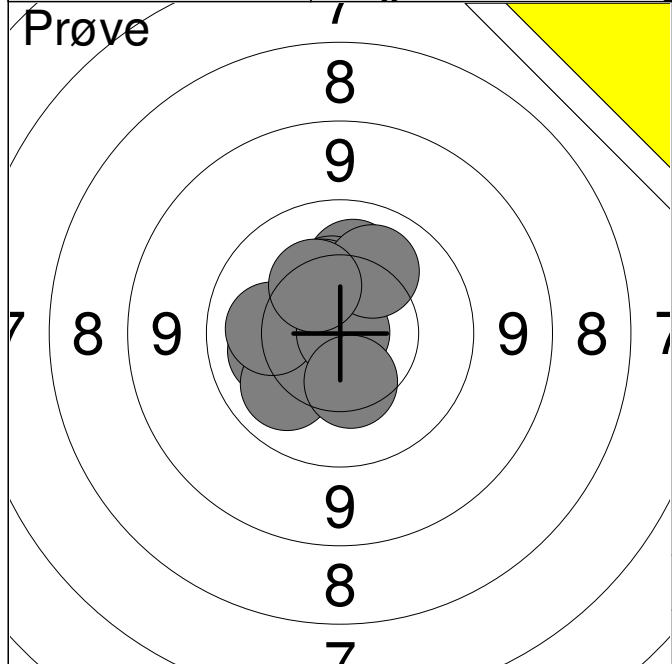
1:	10.3	←
2:	10.1	↘
3:	10.0	↗
4:	10.6	↗
5:	10.4	↘
6:	10.5	↗
7:	10.5	↗
8:	10.0	→
9:	10.9x	↘
10:	10.6	↗
Serie		103.9
Total		399.0



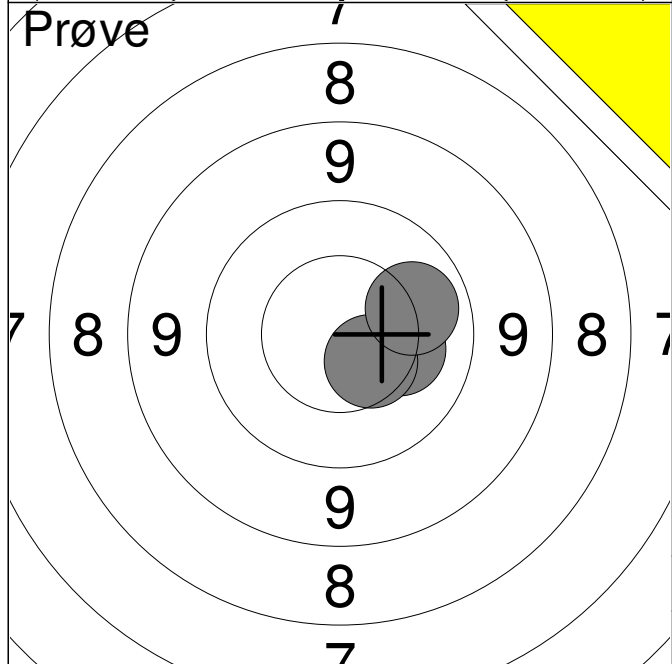
11:	10.2	→
12:	10.2	↗
Serie		20.4
Total		399.0



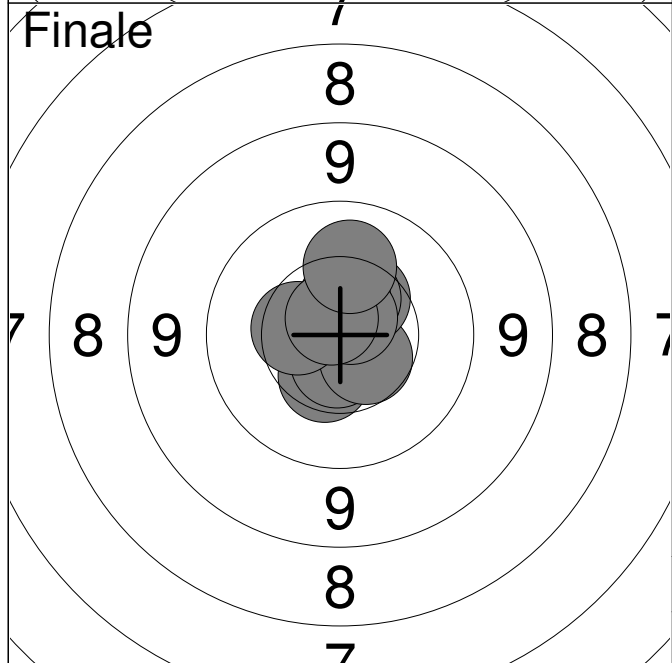
1:	10.5	↗
2:	10.2	↗
3:	10.4	↗
4:	10.0	→
5:	10.4	→
6:	9.9	→
7:	10.2	↗
8:	10.3	↘
9:	10.7x	↘
10:	10.7x	↗
Serie		103.3
Total		502.3



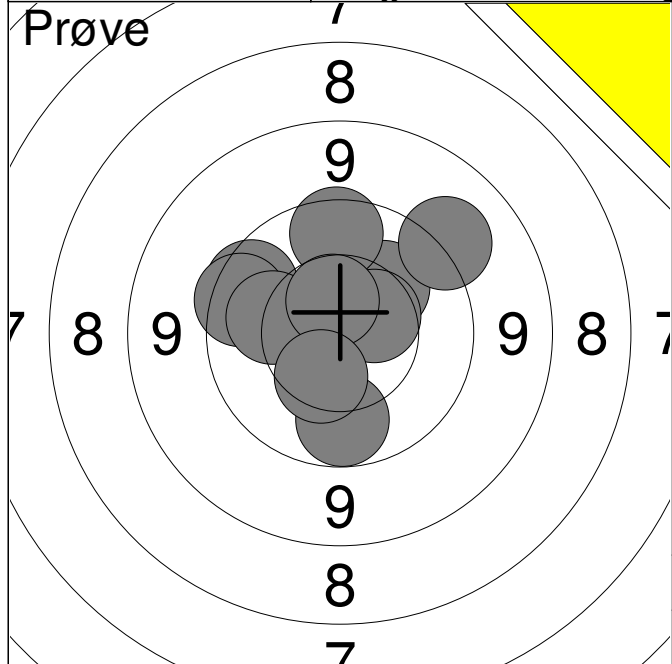
1:	10.2	←
2:	10.2	↑
3:	10.4	↑
4:	10.4	↑
5:	10.1	↙
6:	10.2	←
7:	10.9x	→
8:	10.4	↓
9:	10.1	↗
10:	10.3	↗
Serie		103.2
Total		399.0



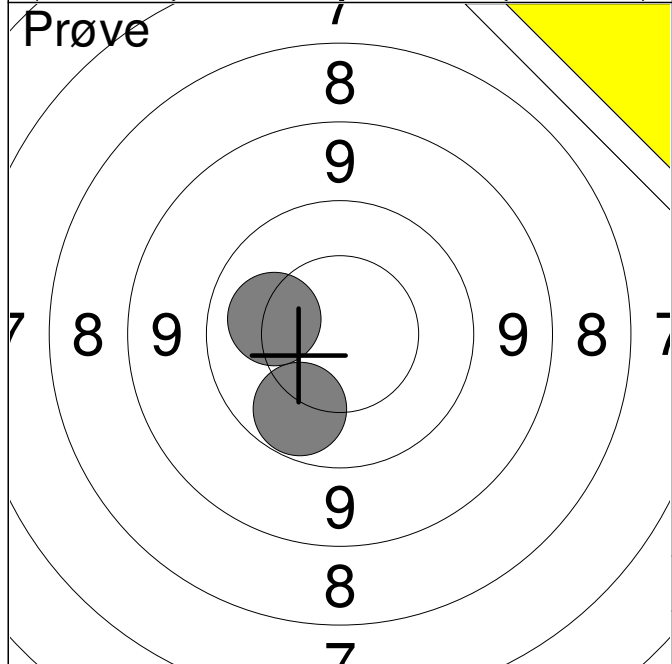
11:	10.2	→
12:	10.5	↘
13:	10.1	→
Serie		30.8
Total		399.0



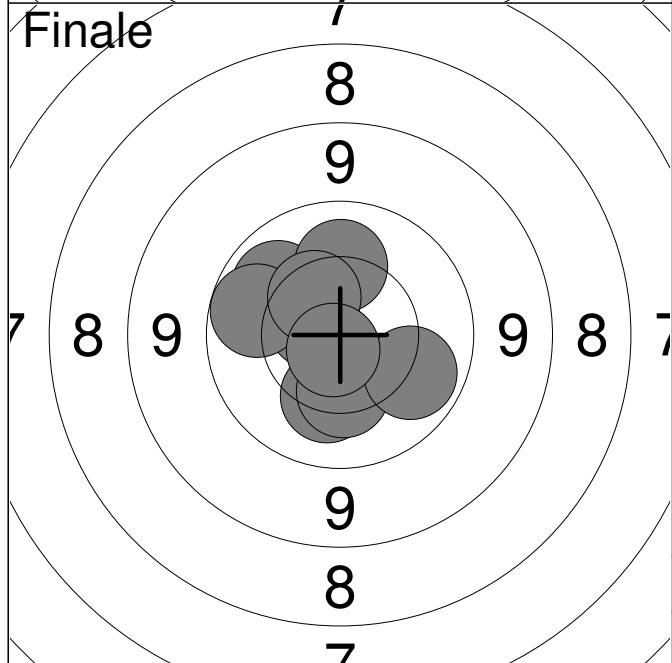
1:	10.4	↓
2:	10.6x	↓
3:	10.5	↘
4:	10.4	↗
5:	10.5	←
6:	10.5	↑
7:	10.6	↑
8:	10.7x	↗
9:	10.7x	↖
10:	10.2	↑
Serie		105.1
Total		504.1



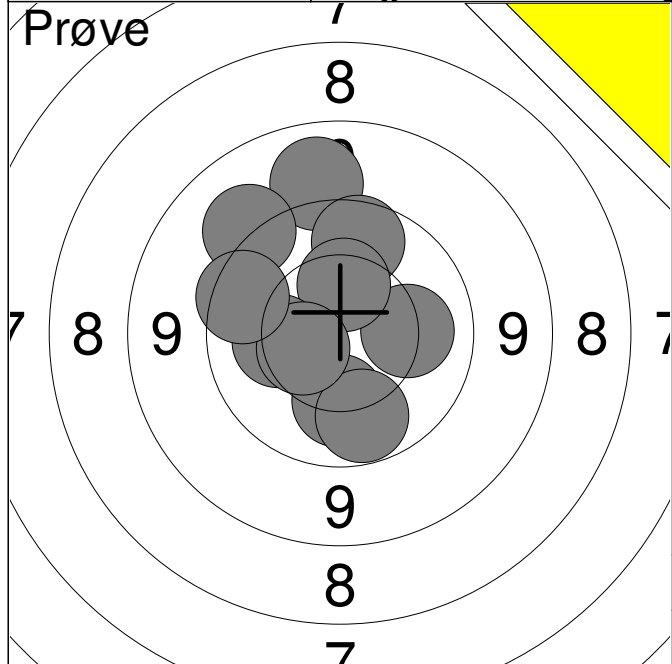
1:	9.8	↖
2:	9.7	↖
3:	10.2	↗
4:	9.8	↑
5:	9.3	↗
6:	10.1	↖
7:	10.5	↗
8:	10.6	↑
9:	10.0	↓
10:	10.4	↘
Serie		100.4
Total		398.0



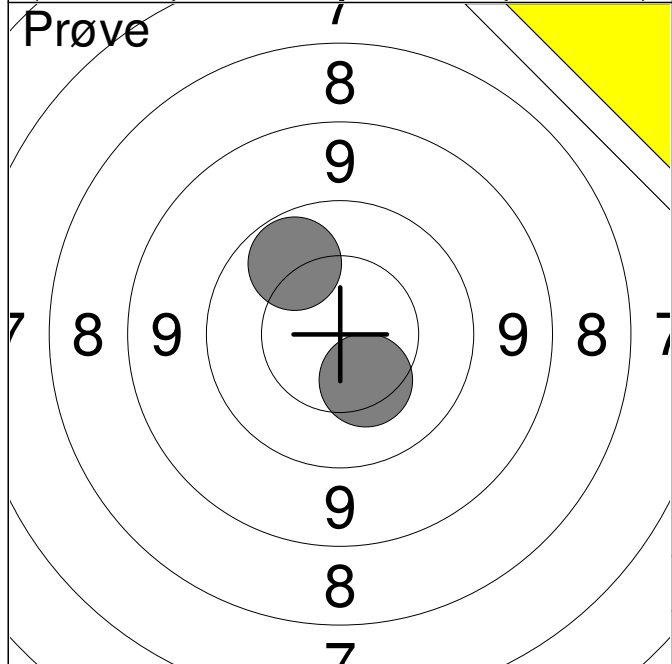
11:	10.0	↘
12:	10.2	↖
Serie		20.2
Total		398.0



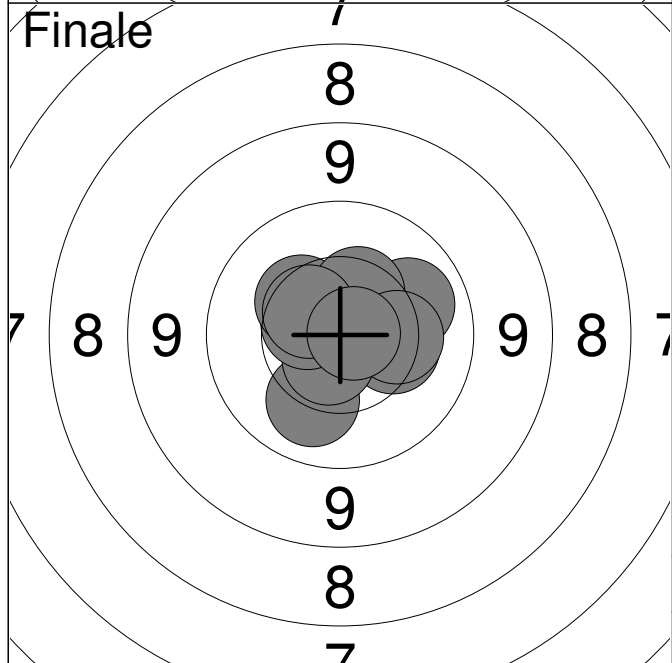
1:	10.5	↓
2:	10.2	↓
3:	10.3	↓
4:	10.6x	↗
5:	10.0	↗
6:	10.2	↑
7:	9.9	↖
8:	10.4	↗
9:	10.0	↘
10:	10.8x	↘
Serie		102.9
Total		500.9



1:	9.1	↑
2:	9.3	↗
3:	9.9	↑
4:	10.2	↓
5:	10.0	↓
6:	10.2	→
7:	10.4	↑
8:	10.2	←
9:	10.5	↙
10:	9.7	↖
Serie		99.5
Total		398.0



11:	10.3	↘
12:	10.0	↗
Serie		20.3
Total		398.0

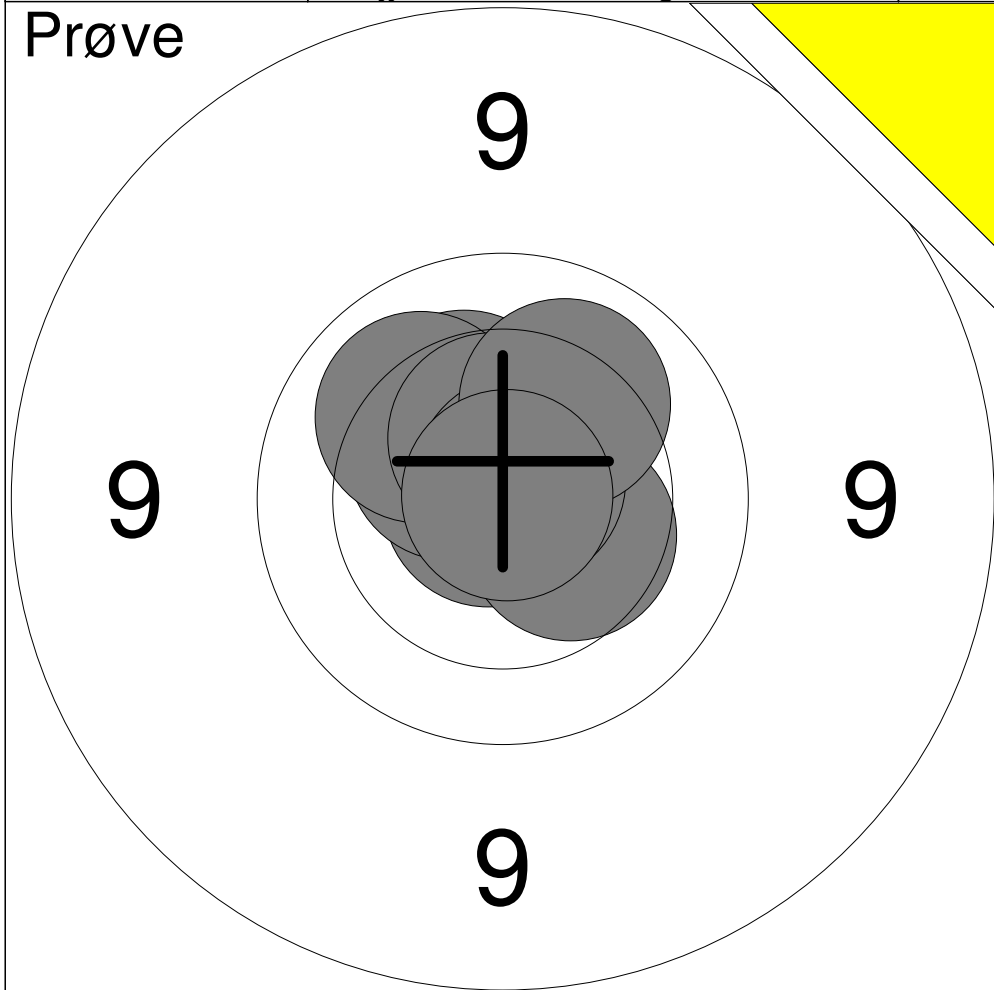


1:	10.1	↘
2:	10.3	→
3:	10.1	↗
4:	10.6x	↘
5:	10.5	↖
6:	10.4	↗
7:	10.4	↑
8:	10.3	→
9:	10.5	↗
10:	10.8x	→
Serie		104.0
Total		502.0

Hold 67	Skive 7	Magnus Larsen
-------------------	-------------------	----------------------

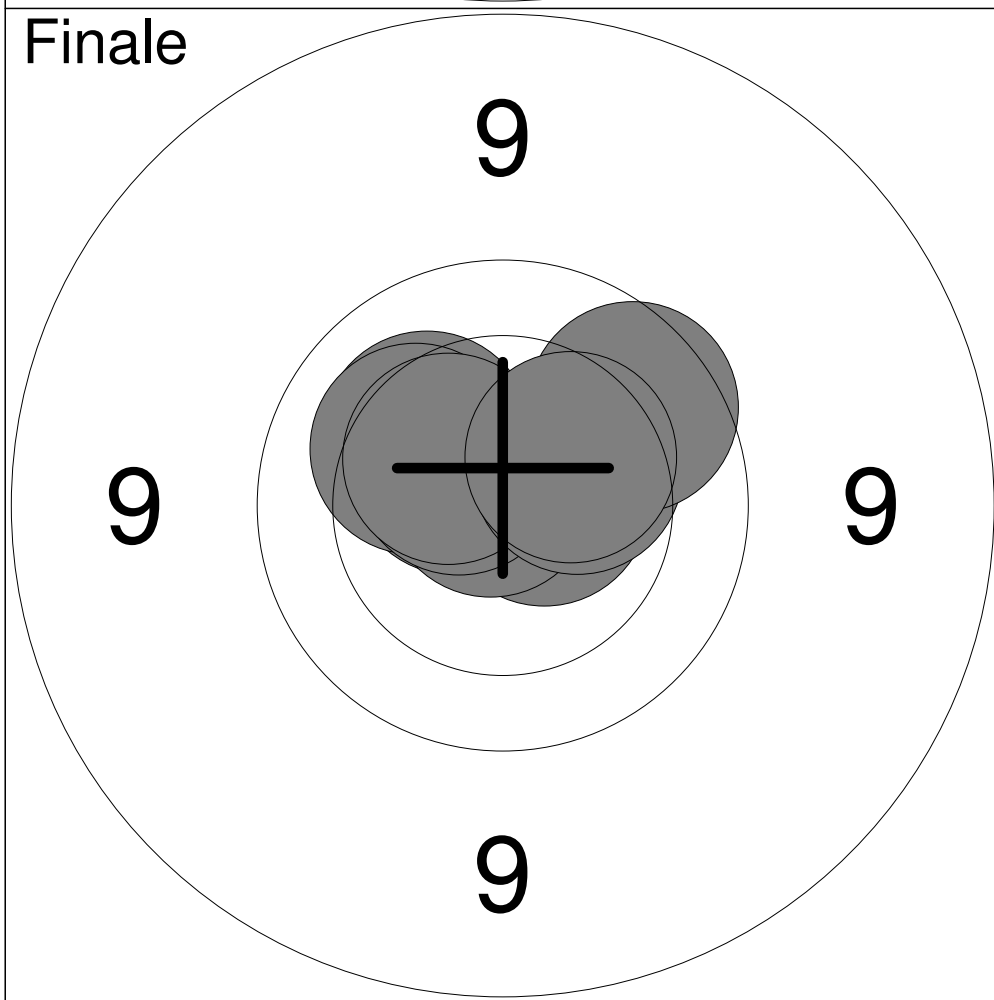
15m	Vodskov Skytteforening	F1B
-----	------------------------	-----

	Nordjysk Mesterskab Ungdom	Aalborg Skyttekreds
--	----------------------------	---------------------



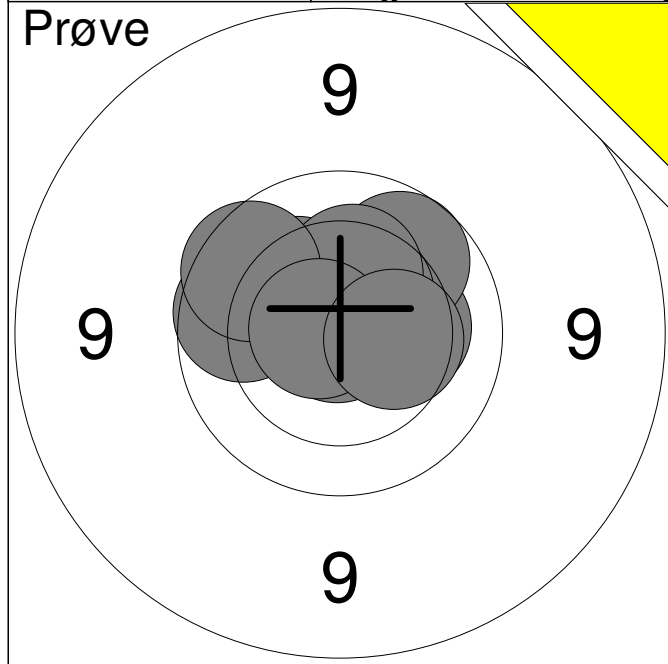
1:	10.6x	↗
2:	10.8x	←
3:	10.3	↗
4:	10.5	↗
5:	10.1	↗
6:	10.4	↘
7:	10.5x	↗
8:	10.8x	↗
9:	10.1	↗
10:	10.9x	↗

Serie	105.0
Total	400.0



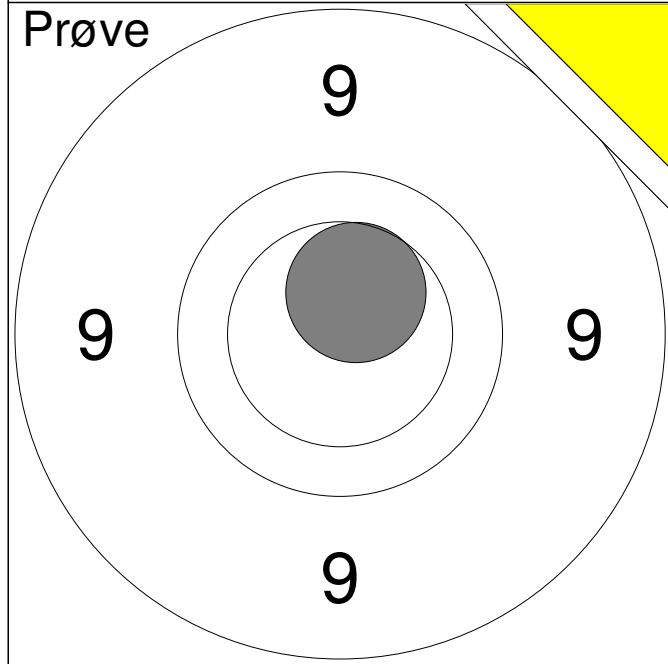
1:	10.2	↗
2:	10.5x	↗
3:	10.7x	→
4:	10.8x	↗
5:	10.2	↗
6:	10.5x	↗
7:	10.4	↗
8:	10.3	↗
9:	9.9	↗
10:	10.4	↗

Serie	103.9
Total	503.9



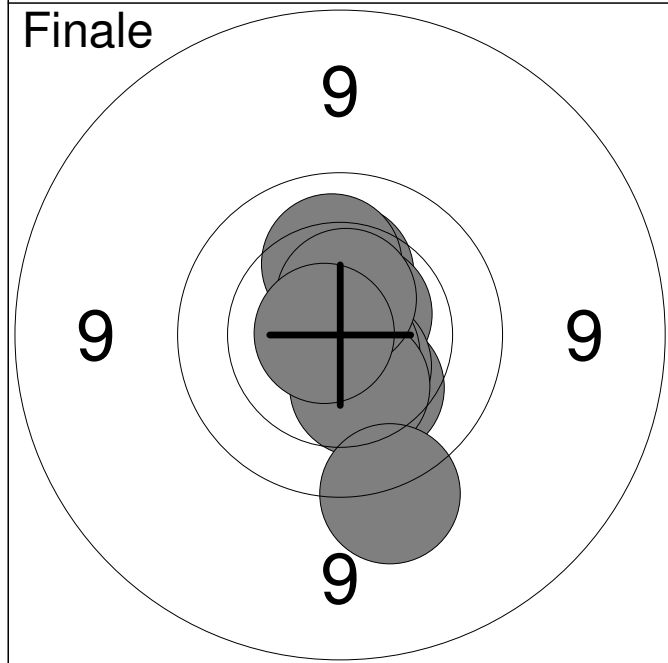
1:	10.3	↗
2:	9.9	↖
3:	10.3	→
4:	9.9	↗
5:	10.5	↗
6:	10.9x	↖
7:	10.3	↑
8:	9.8	↗
9:	10.7x	↖
10:	10.4	→

Serie	103.0
Total	400.0



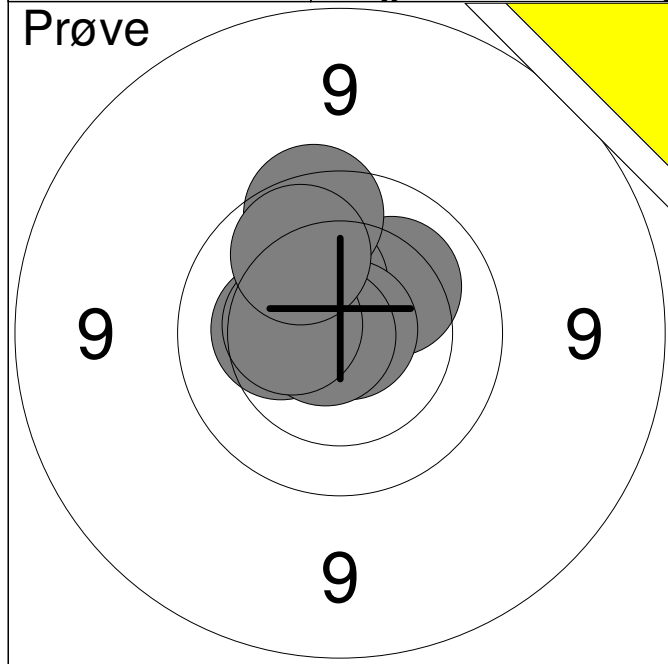
11:	10.5	↑
-----	------	---

Serie	10.5
Total	400.0



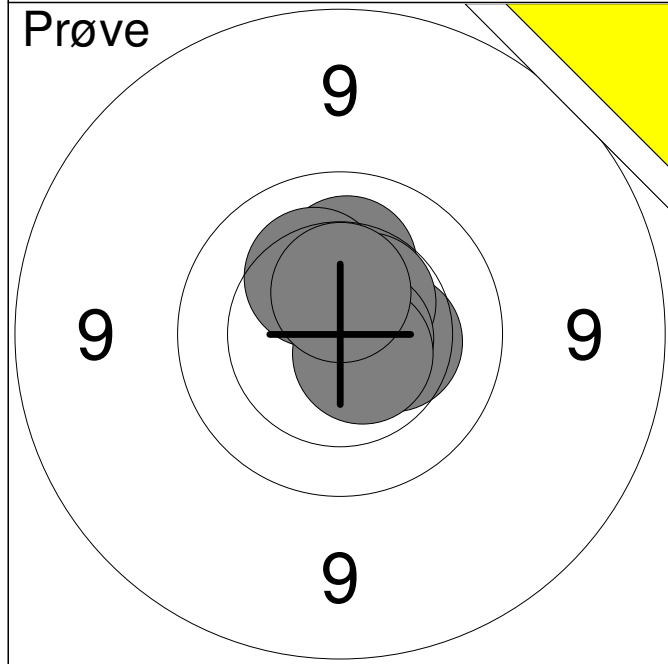
1:	10.3	↑
2:	10.6x	↗
3:	10.2	↑
4:	10.3	↘
5:	10.5x	↘
6:	10.7x	↘
7:	10.4	↘
8:	9.5	↘
9:	10.6x	↑
10:	10.8x	↖

Serie	103.9
Total	503.9



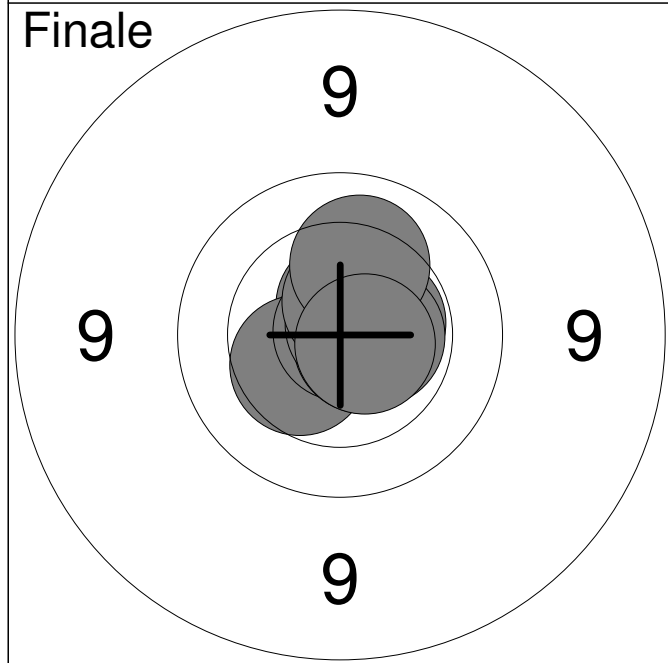
1:	10.2	↑
2:	10.2	↗
3:	10.4	↗
4:	10.4	↑
5:	10.9x	↗
6:	10.3	←
7:	10.8x	←
8:	9.8	↑
9:	10.4	←
10:	10.0	↑

Serie	103.4
Total	400.0



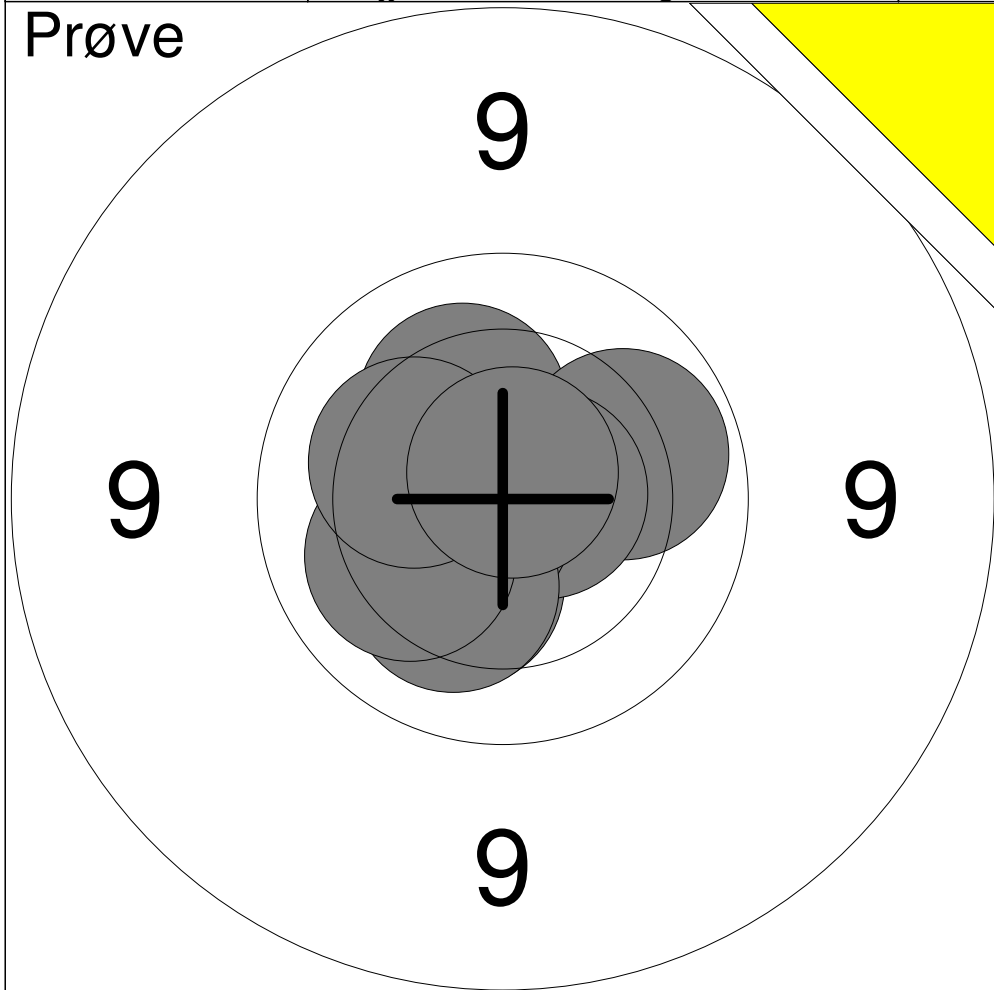
11:	10.2	↑
12:	10.3	↑
13:	10.4	→
14:	10.5x	↗
15:	10.7x	→
16:	10.6x	↘
17:	10.5x	↑

Serie	73.2
Total	400.0



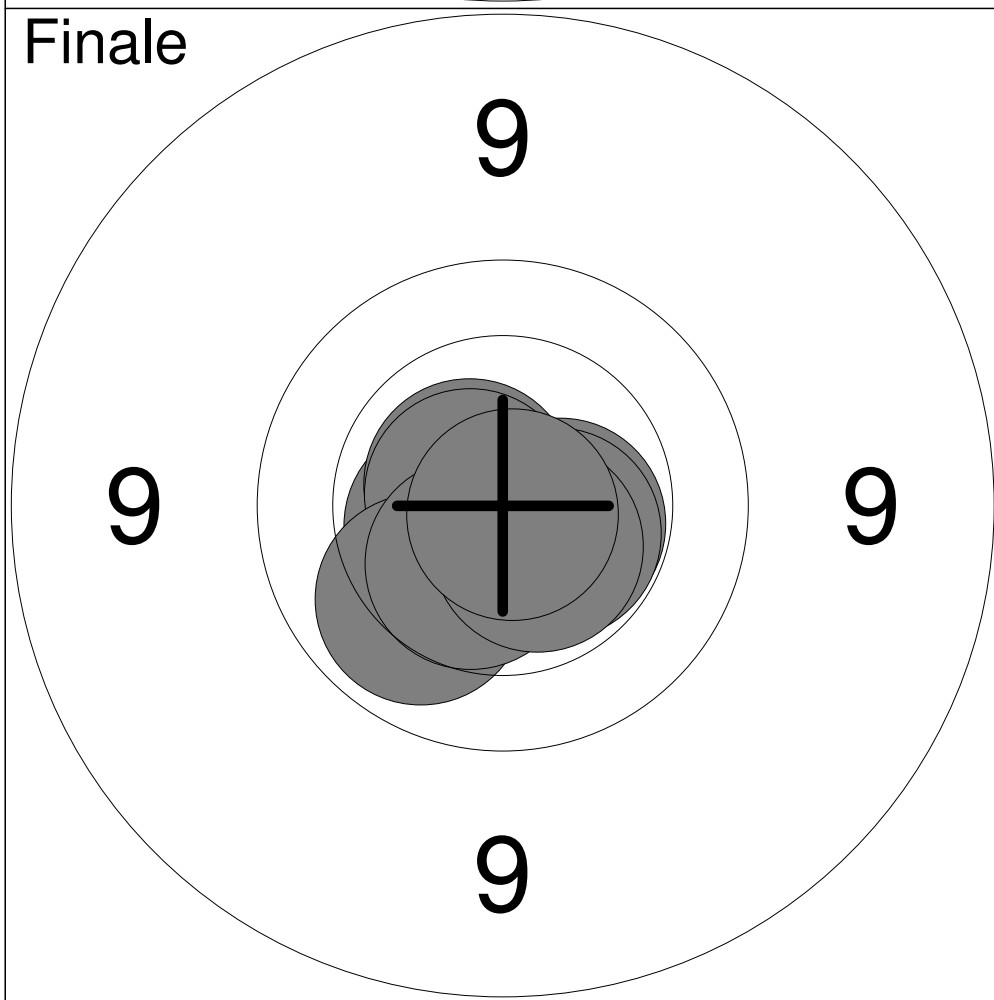
1:	10.5x	→
2:	10.6x	↑
3:	10.4	←
4:	10.9x	↗
5:	10.7x	→
6:	10.7x	↗
7:	10.6x	↑
8:	10.6x	→
9:	10.2	↑
10:	10.7x	→

Serie	105.9
Total	505.9



1:	10.2	↗
2:	10.4	←
3:	10.0	→
4:	10.3	↘
5:	10.7x	→
6:	10.7x	←
7:	10.2	↘
8:	10.2	←
9:	10.3	↖
10:	10.7x	↗

Serie	103.7
Total	400.0



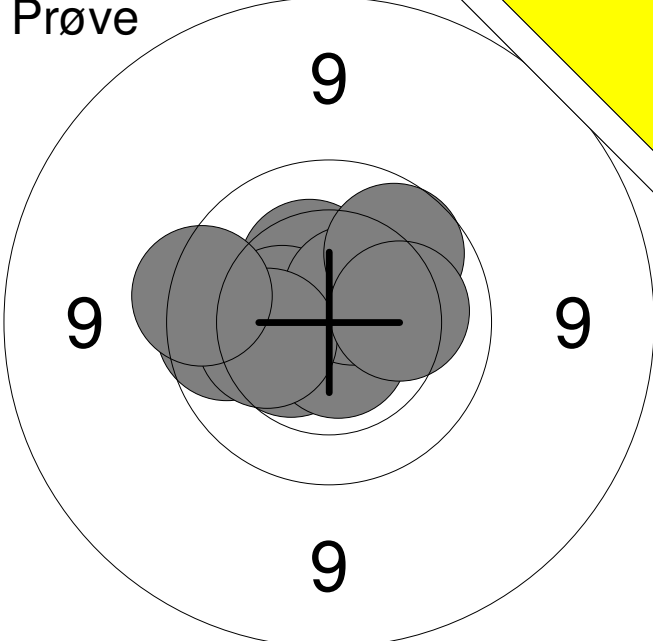
1:	10.5x	←
2:	10.5x	→
3:	10.7x	↖
4:	10.7x	↘
5:	10.7x	↖
6:	10.1	↘
7:	10.5	↘
8:	10.5x	→
9:	10.6x	↘
10:	10.9x	↘

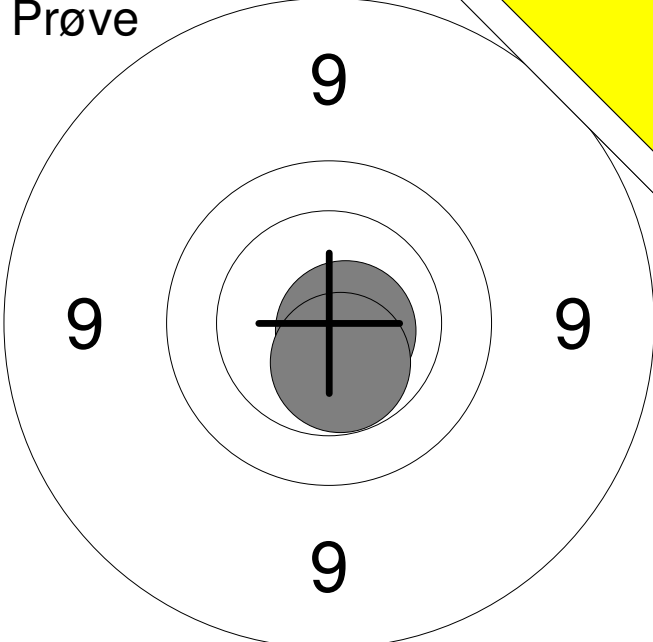
Serie	105.7
Total	505.7

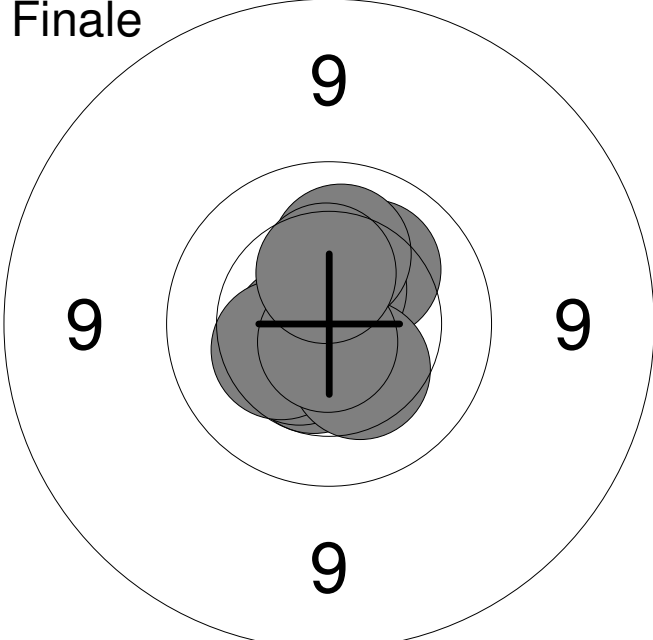
Hold 67	Skive 11	Christine Svindborg
-------------------	--------------------	----------------------------

15m	Vodskov Skytteforening	F1B
-----	------------------------	-----

	Nordjysk Mesterskab Ungdom	Aalborg Skyttekreds
--	----------------------------	---------------------

Prøve 	1:	9.9	←
	2:	10.3	↑
	3:	10.4	←
	4:	10.5	←
	5:	10.7x	↓
	6:	10.6x	↗
	7:	9.9	↗
	8:	10.3	←
	9:	9.7	←
	10:	10.2	→
	Serie		102.5
Total		400.0	

Prøve 	11:	10.8x	→
	12:	10.5x	↓
	Serie		21.3
Total		400.0	

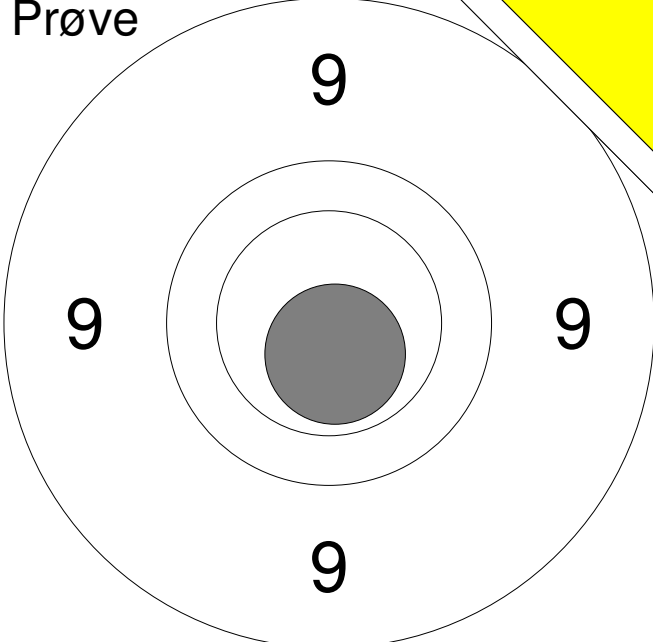
Finale 	1:	10.2	↗
	2:	10.6x	←
	3:	10.6x	↑
	4:	10.5x	↓
	5:	10.5x	←
	6:	10.4	←
	7:	10.4	↓
	8:	10.2	↑
	9:	10.8x	↓
	10:	10.4	↑
	Serie		104.6
Total		504.6	

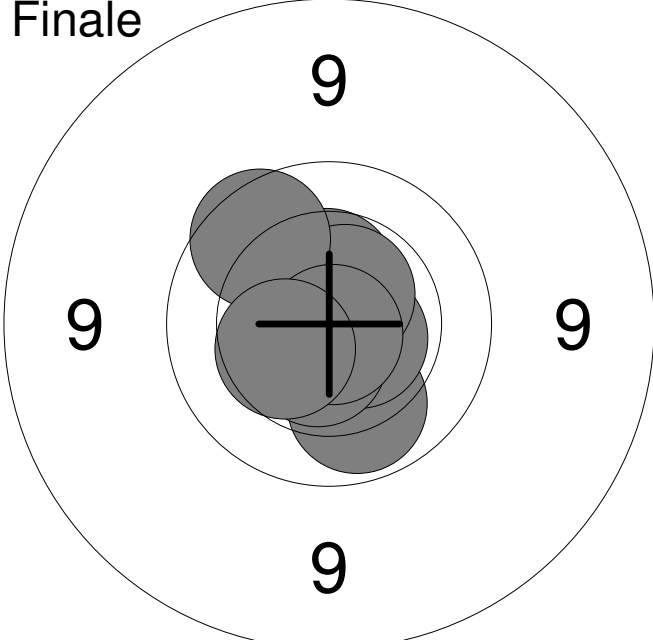
Hold 67	Skive 12	Christian Nedergaard	
-------------------	--------------------	-----------------------------	--

15m	Skf. Kimbrene	F1B
-----	---------------	-----

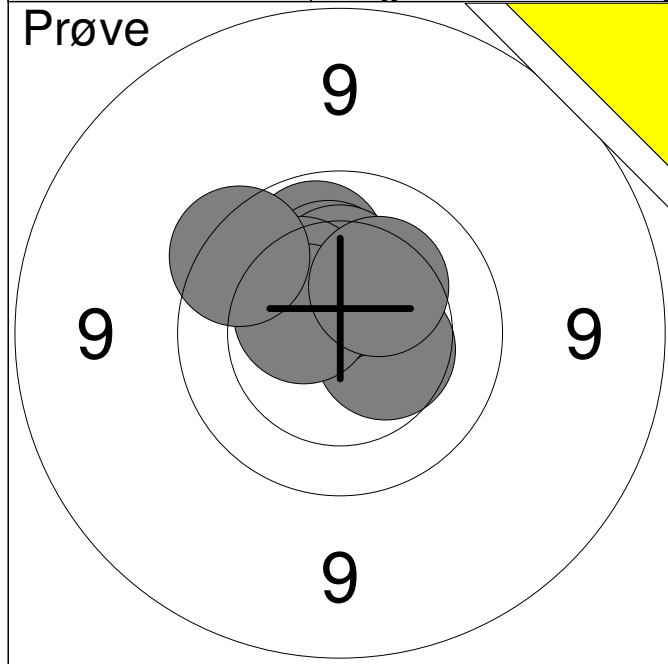
	Nordjysk Mesterskab Ungdom	Aalborg Skyttekreds
--	----------------------------	---------------------

Prøve 	1:	10.2	↖
	2:	9.4	↙
	3:	9.5	↙
	4:	10.2	↙
	5:	10.6x	↖
	6:	10.1	↙
	7:	10.2	↗
	8:	10.6x	↙
	9:	10.5	↗
	10:	10.5x	↗
	Serie		101.8
Total		400.0	

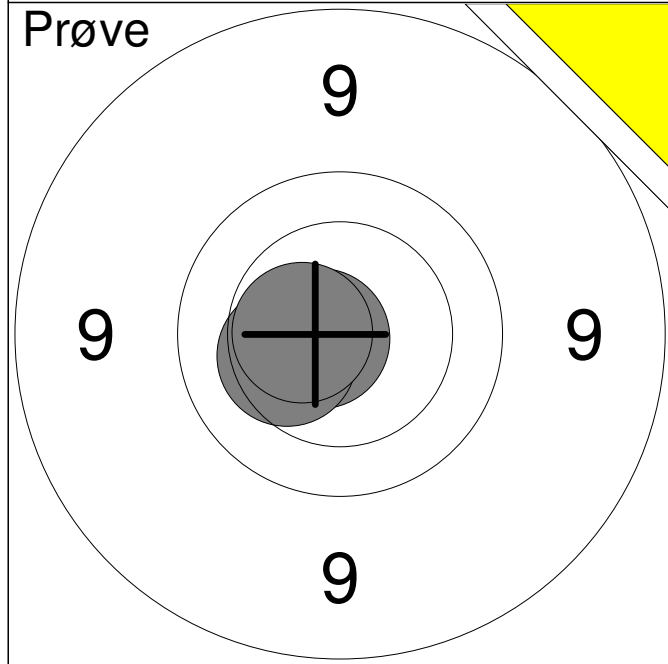
Prøve 	11:	10.6x	↓
	Serie		10.6
	Total		400.0

Finale 	1:	10.0	↓
	2:	10.5	↑
	3:	10.7x	↗
	4:	10.6x	→
	5:	10.8x	↑
	6:	10.6x	↗
	7:	9.9	↗
	8:	10.6x	↙
	9:	10.8x	↓
	10:	10.4	↙
	Serie		104.9
Total		504.9	

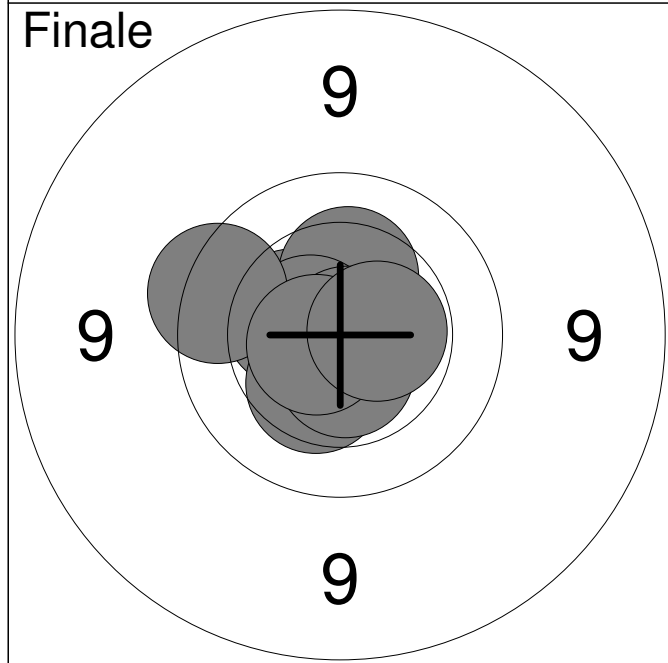
Hold 68	Skive 3	Martin Jensen	
15m	Løgstør Sportsskytteklub	F1J	
	Nordjysk Mesterskab Ungdom	Aalborg Skyttekreds	
Prøve		1: 10.6x ↓	
		2: 10.2 ←	
		3: 10.6x ↖	
		4: 10.1 ↗	
		5: 10.4 ↗	
		6: 9.7 ←	
		7: 10.5 →	
		8: 10.2 ↓	
		9: 10.4 ↙	
		10: 10.7x ↓	
		Total	400.0
Finale		1: 10.7x ←	
		2: 9.9 ↙	
		3: 10.7x ↗	
		4: 10.8x ↖	
		5: 10.2 ←	
		6: 10.7x ↓	
		7: 10.6x ↖	
		8: 10.1 ↓	
		9: 10.5 ↙	
		10: 10.3 ↘	
		Total	504.5



1:	10.4	→
2:	10.0	↑
3:	10.3	↑
4:	10.5x	↑
5:	10.4	↑
6:	10.3	↑
7:	10.3	↑
8:	10.5x	↑
9:	9.7	↑
10:	10.3	↑
Serie		102.7
Total		399.0

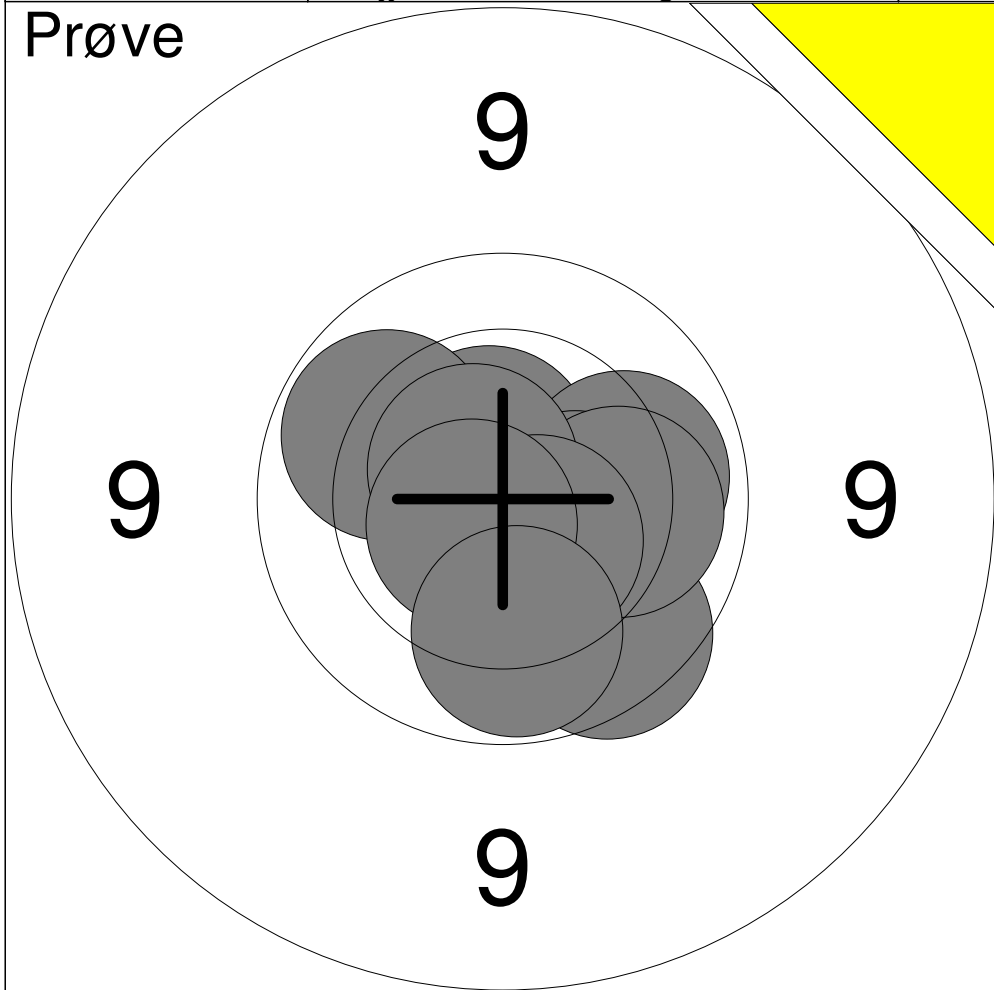


11:	10.7x	←
12:	10.3	←
13:	10.5x	←
Serie		31.5
Total		399.0



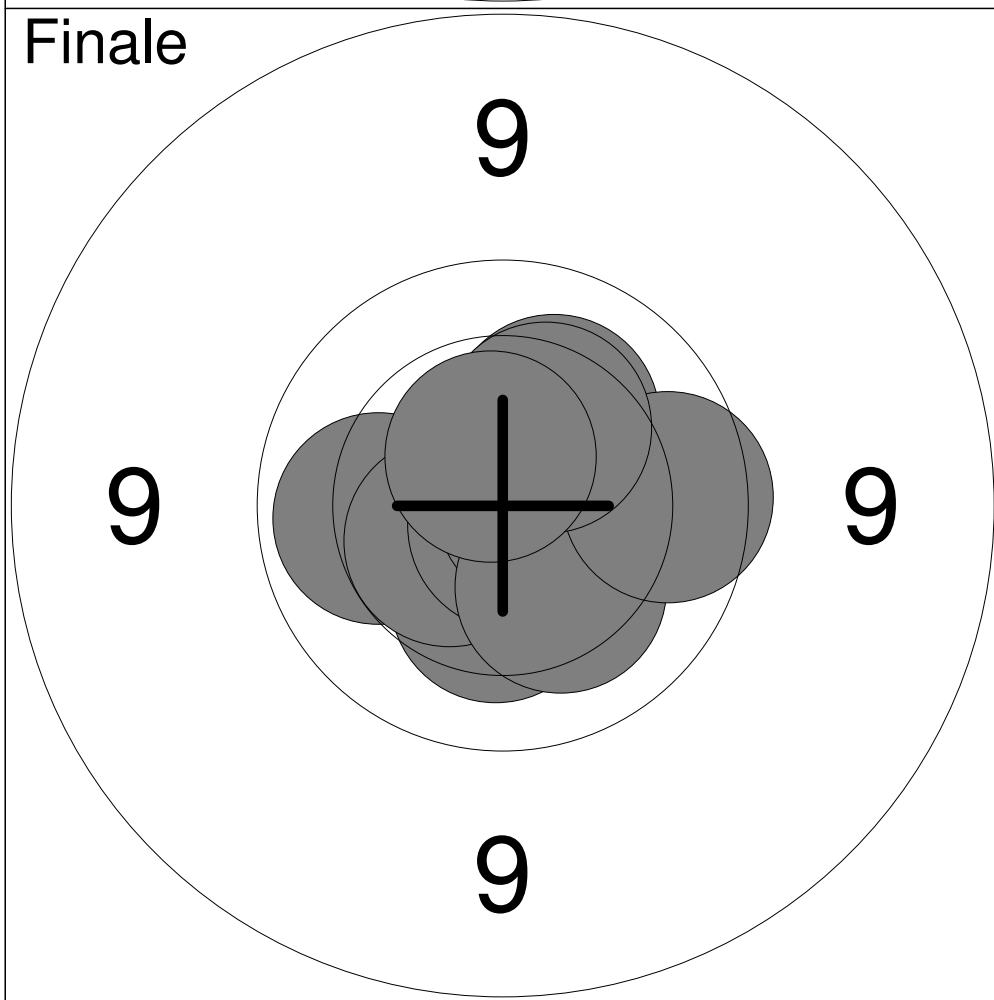
1:	10.4	←
2:	10.3	↑
3:	10.6x	←
4:	10.7x	↓
5:	10.4	↓
6:	10.9x	→
7:	10.6x	↓
8:	9.7	←
9:	10.7x	←
10:	10.5x	→
Serie		104.8
Total		503.8

Hold	Skive			
68	6	Kaj Mørk		
15m	Vester Hassing Skf.	F1J		
	Nordjysk Mesterskab Ungdom	Aalborg Skyttekreds		
Prøve		1:	10.5	↙
		2:	10.7x	↗
		3:	10.6x	↙
		4:	10.7x	↙
		5:	10.7x	↙
		6:	10.4	↗
		7:	10.2	↙
		8:	10.3	↙
		9:	10.4	↙
		10:	10.5x	←
		Serie		105.0
Total		399.0		
Prøve		11:	10.7x	↗
		Serie		10.7
		Total		399.0
Finale		1:	10.1	↗
		2:	9.9	→
		3:	10.6x	↙
		4:	9.9	↗
		5:	10.8x	↗
		6:	9.9	↙
		7:	9.8	←
		8:	9.9	↗
		9:	10.2	←
		10:	10.2	←
		Serie		101.3
Total		500.3		



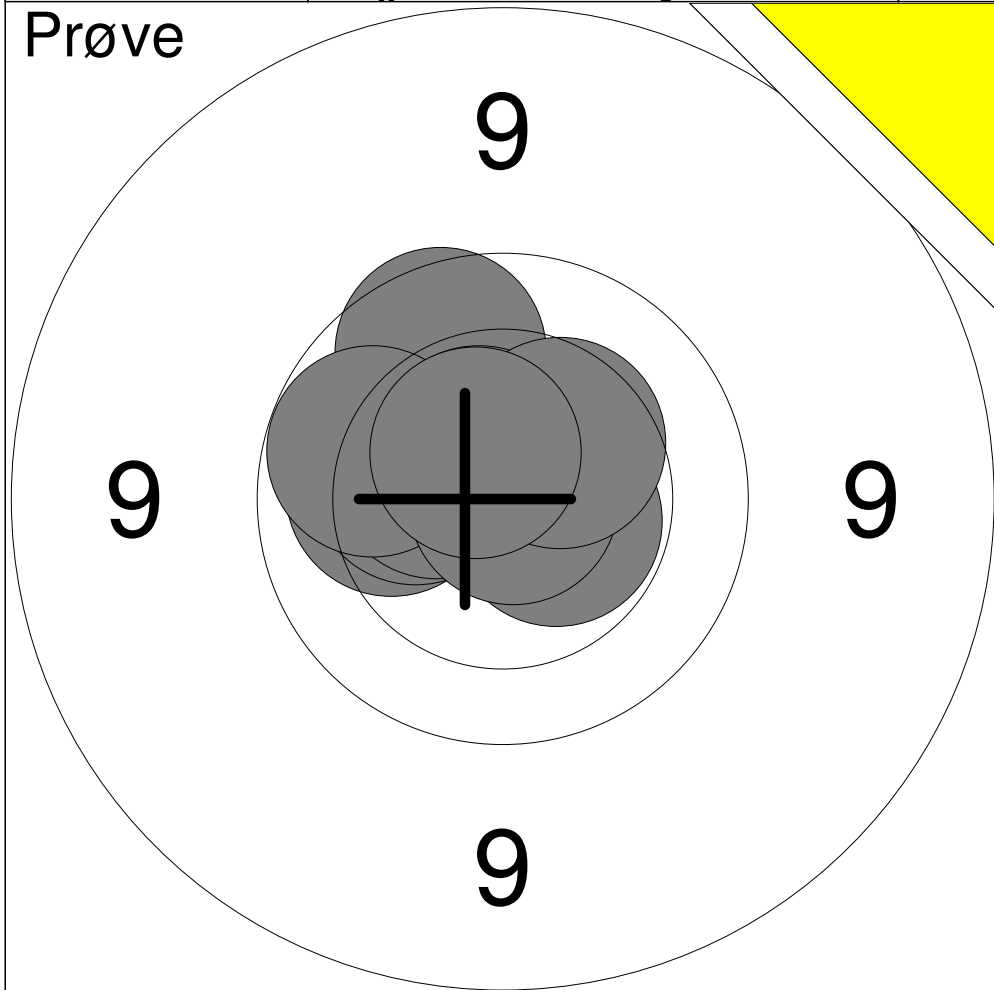
1:	10.6x	↗
2:	10.0	↖
3:	10.1	→
4:	10.4	→
5:	9.8	↘
6:	10.1	↖
7:	10.6x	↗
8:	10.6x	↘
9:	10.7x	↙
10:	10.0	↓

Serie	102.9
Total	399.0



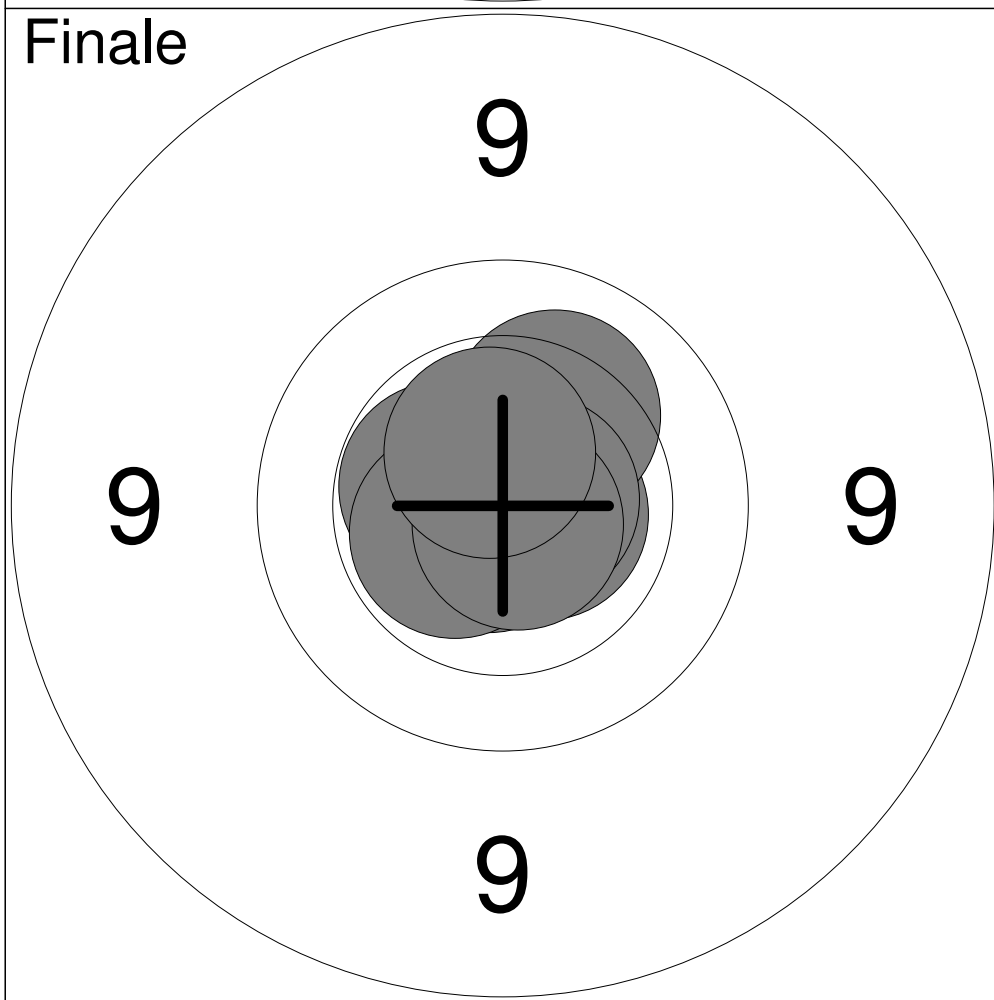
1:	10.3	↓
2:	10.1	←
3:	10.5x	↙
4:	10.8x	↘
5:	10.7x	→
6:	10.2	↗
7:	10.2	↘
8:	9.8	→
9:	10.3	↗
10:	10.6x	↗

Serie	103.5
Total	502.5



1:	10.2	←
2:	10.3	←
3:	10.4	↖
4:	9.9	↗
5:	10.5x	↘
6:	10.0	↖
7:	10.6x	↗
8:	10.9x	→
9:	10.4	↗
10:	10.6x	↖

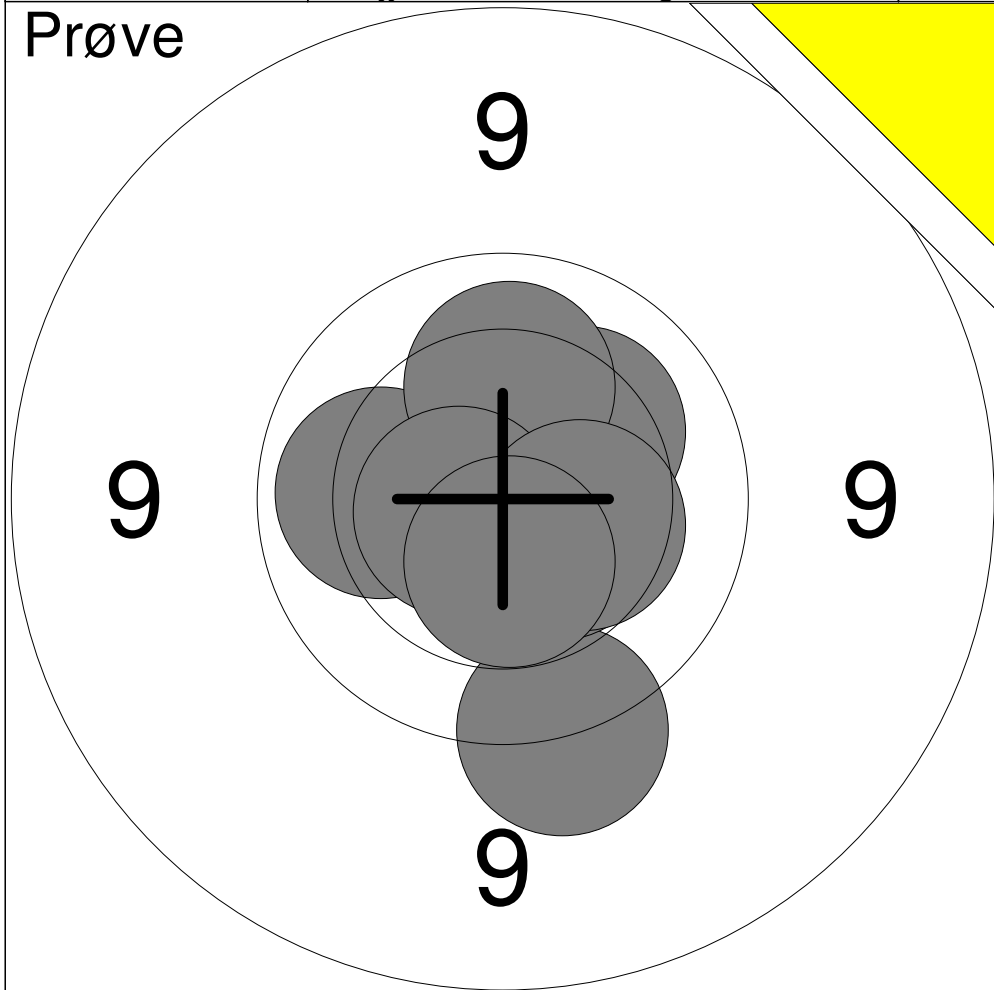
Serie	103.8
Total	399.0



1:	10.8x	←
2:	10.9x	→
3:	10.7x	→
4:	10.8x	↙
5:	10.2	↗
6:	10.5x	←
7:	10.6x	←
8:	10.7x	→
9:	10.8x	↘
10:	10.6x	↖

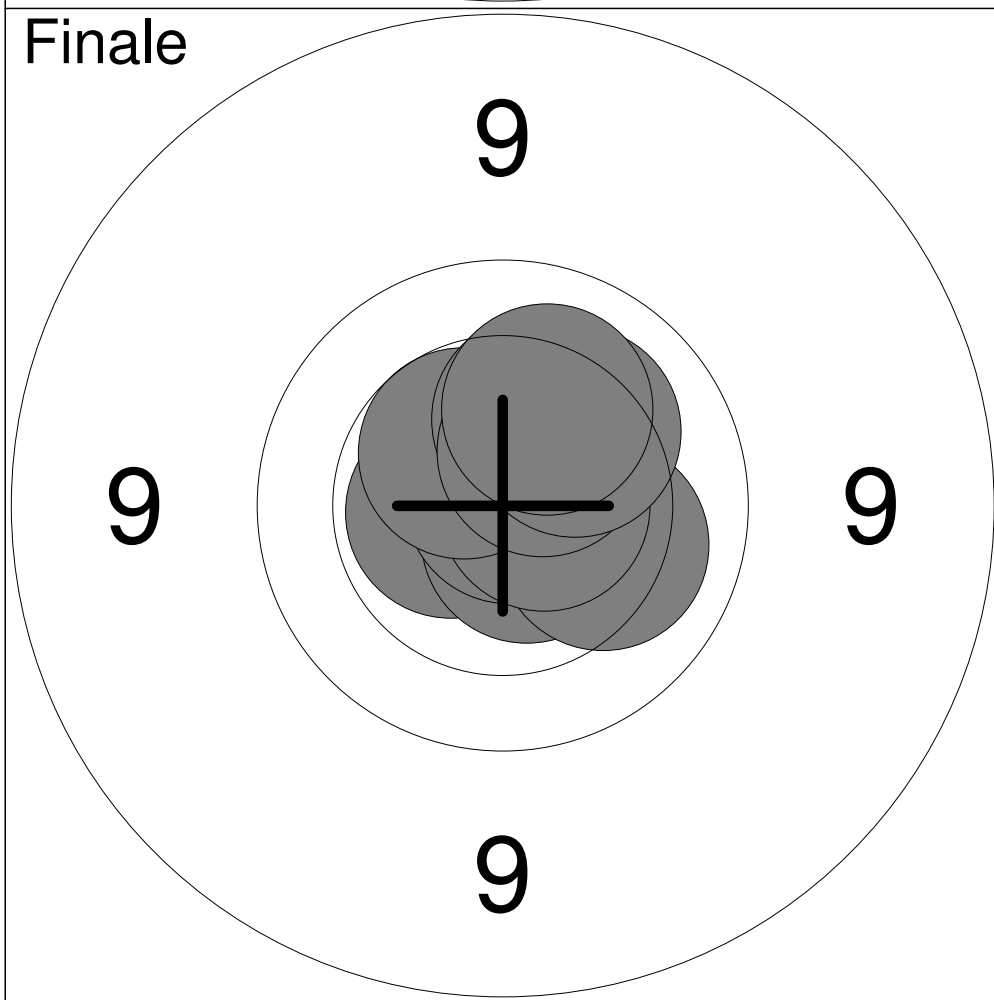
Serie	106.6
Total	505.6

Hold 68	Skive 10	Christian Nielsen	
15m	Frederikshavn Skyttekreds	F1J	
	Nordjysk Mesterskab Ungdom	Aalborg Skyttekreds	



1:	9.5	↓
2:	10.1	←
3:	10.2	↗
4:	10.1	↑
5:	10.5x	↘
6:	10.6x	←
7:	10.4	→
8:	10.5x	↓

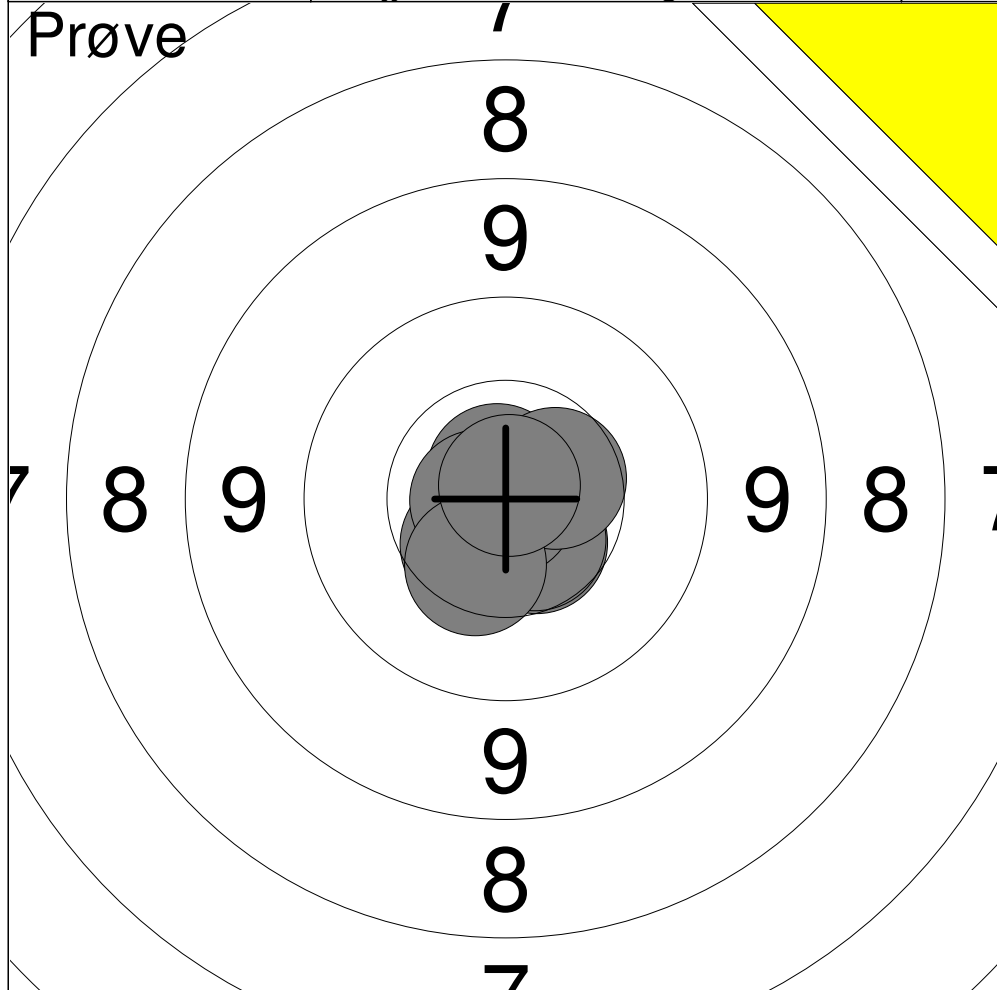
Serie	81.9
Total	399.0



1:	10.6x	←
2:	10.7x	↘
3:	10.9x	↗
4:	10.2	→
5:	10.7x	→
6:	10.5	↗
7:	10.3	↗
8:	10.5	↗
9:	10.2	↗
10:	10.2	↗

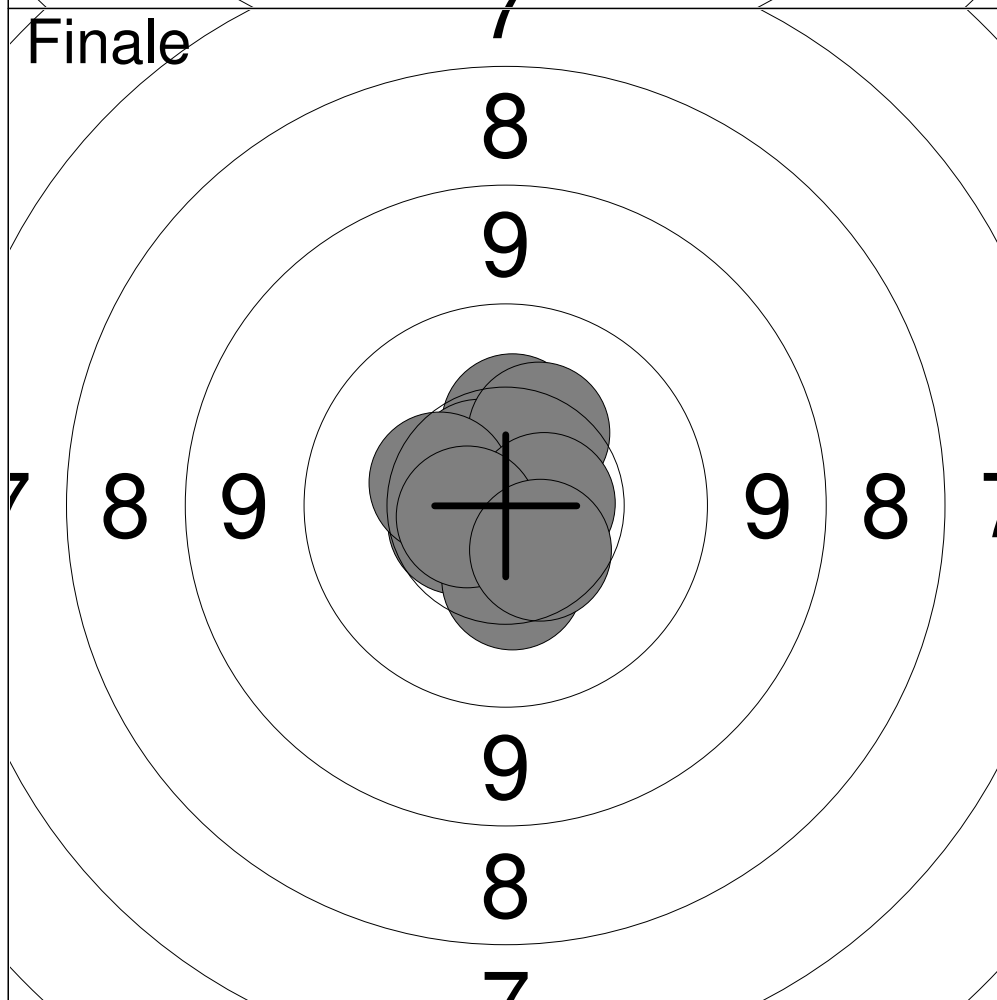
Serie	104.8
Total	503.8

Hold	Skive	Simon Andersen	
68	11	Løgstør Sportsskytteklub	F1J
15m		Nordjysk Mesterskab Ungdom	Aalborg Skyttekreds
Prøve		1: 10.3	↑
		2: 10.2	↑
		3: 10.4	↑
		4: 10.3	↘
		5: 10.5x	↗
		6: 9.9	↗
		7: 10.4	↑
		8: 10.5	↗
		9: 10.3	↗
		10: 10.0	↗
		Serie	102.8
		Total	399.0
Prøve		11: 10.9x	↙
		12: 10.9x	↘
		13: 10.5x	↙
		14: 10.8x	↗
		Serie	43.1
		Total	399.0
Finale		1: 10.7x	→
		2: 10.7x	↙
		3: 10.6x	↑
		4: 10.4	↗
		5: 10.3	→
		6: 10.6x	↙
		7: 10.5	←
		8: 10.5x	→
		9: 10.4	↘
		10: 10.3	←
		Serie	105.0
		Total	504.0



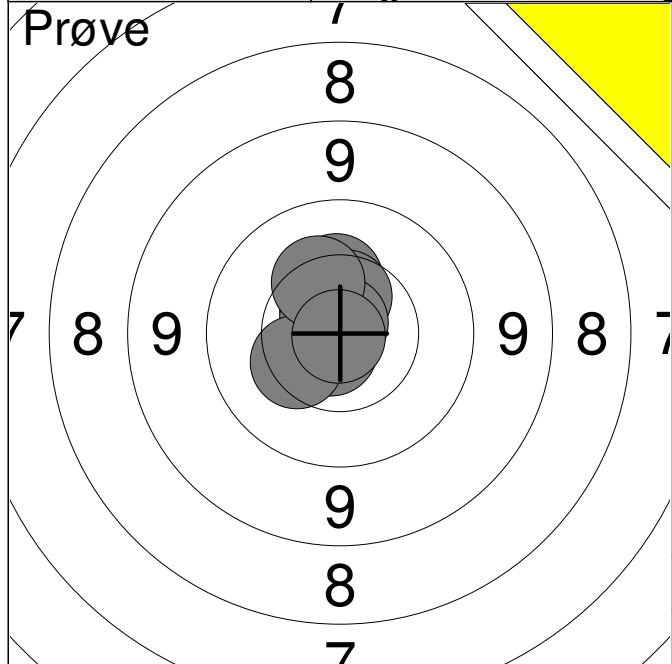
1:	10.5	↘
2:	10.5	↙
3:	10.8x	↘
4:	10.6	↘
5:	10.9x	↘
6:	10.8x	↗
7:	10.5	→
8:	10.8x	←
9:	10.4	↘
10:	10.8x	↗

Serie	106.6
Total	400.0



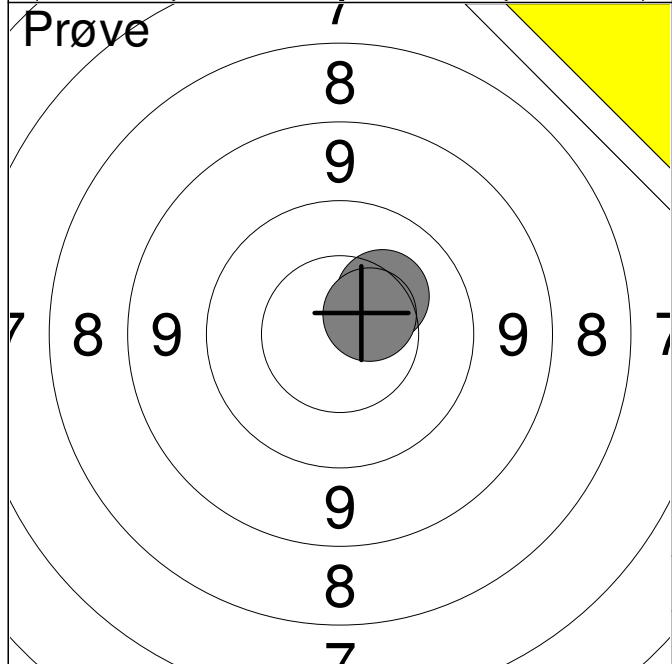
1:	10.7x	↗
2:	10.3	↗
3:	10.6x	↖
4:	10.3	↗
5:	10.6	←
6:	10.4	←
7:	10.4	↘
8:	10.7x	→
9:	10.6x	←
10:	10.5	↘

Serie	105.1
Total	505.1



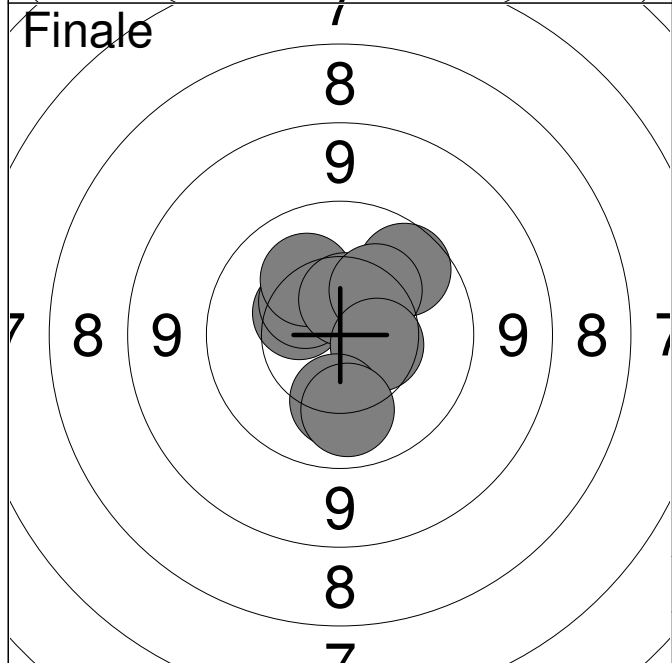
1:	10.6x	↗
2:	10.7x	↘
3:	10.7x	↖
4:	10.8x	↑
5:	10.3	↑
6:	10.5	↑
7:	10.4	↙
8:	10.8x	↑
9:	10.3	↖
10:	10.9x	↘

Serie	106.0
Total	400.0



11:	10.3	↗
12:	10.5	↗

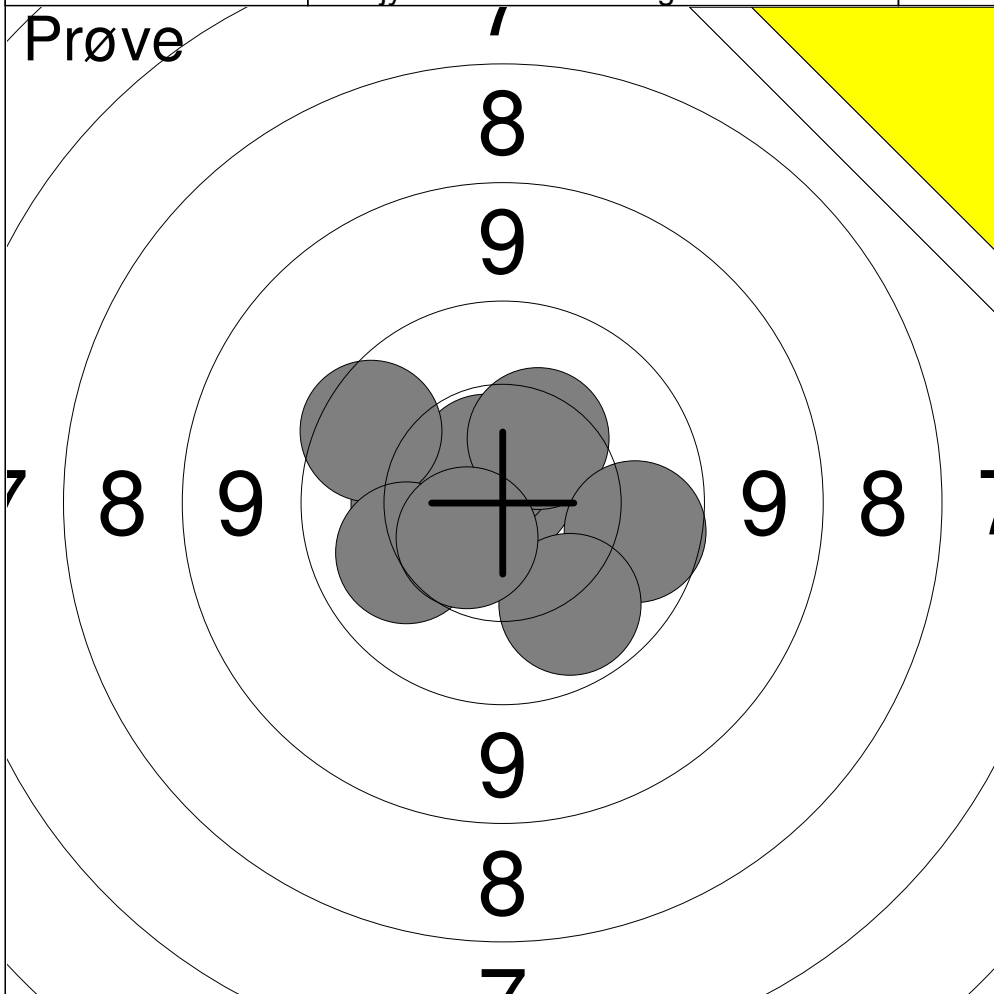
Serie	20.8
Total	400.0



1:	10.4	↖
2:	10.4	↗
3:	10.2	↖
4:	10.4	↗
5:	9.9	↗
6:	10.5	↑
7:	10.3	↗
8:	10.5	→
9:	10.2	↓
10:	10.1	↓

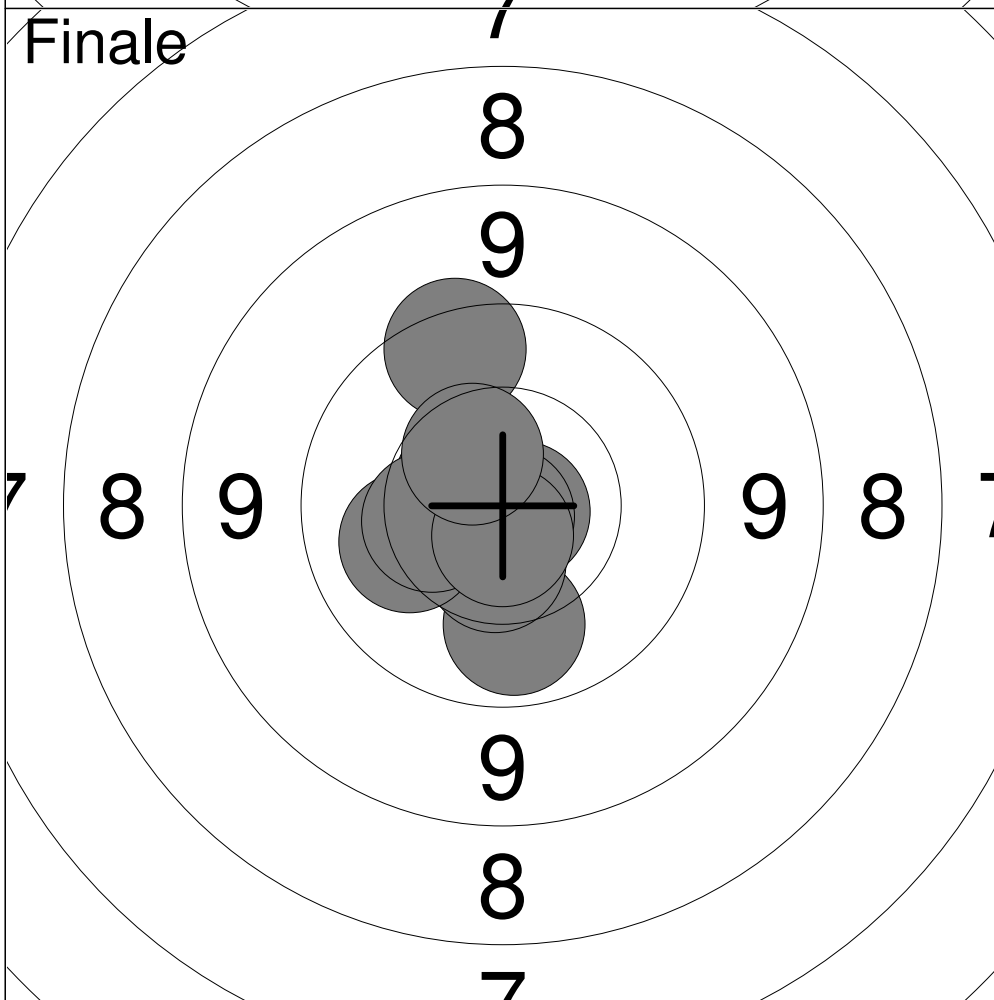
Serie	102.9
Total	502.9

Hold 69	Skive 4	Lea Gertz	
15m	Vester Hassing Skf.	F4B	
	Nordjysk Mesterskab Ungdom	Aalborg Skyttekreds	



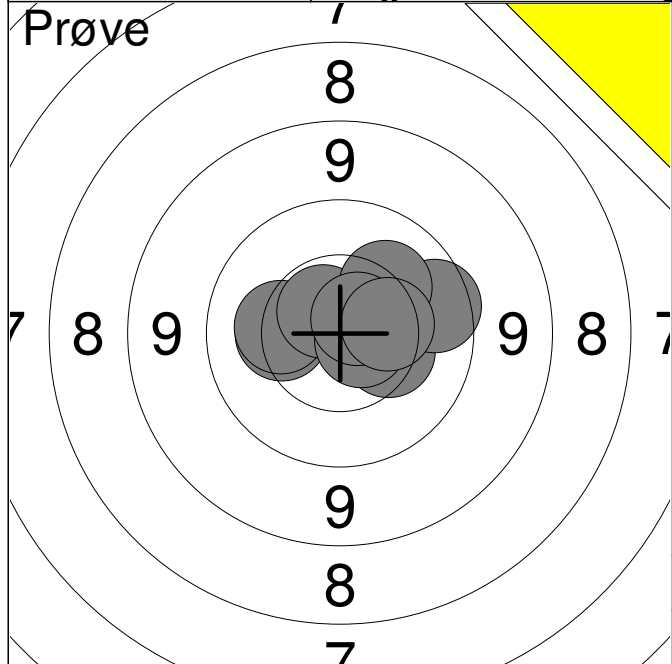
1:	10.3	←
2:	10.6	←
3:	10.8x	↑
4:	10.6x	↑
5:	9.8	↖
6:	10.4	↗
7:	10.1	←
8:	9.9	→
9:	10.0	↘
10:	10.6	↙

Serie	103.1
Total	399.0

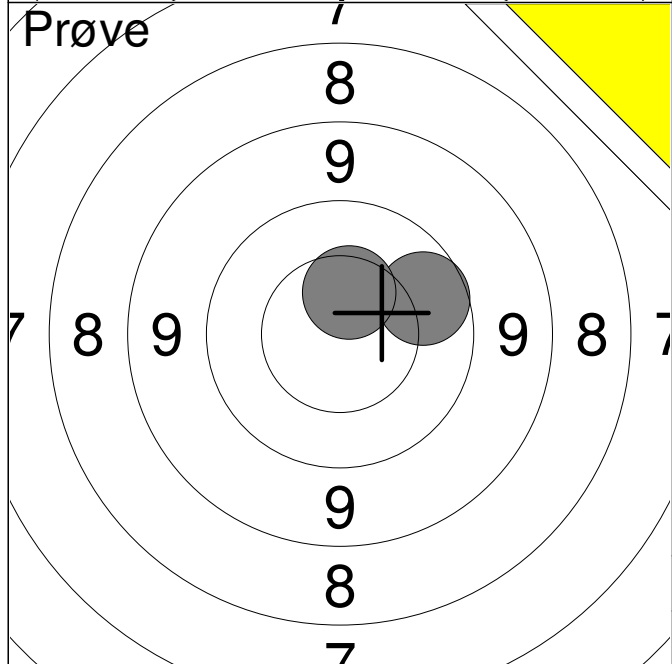


1:	10.8x	→
2:	10.9x	↓
3:	10.0	↓
4:	10.5	↓
5:	10.2	←
6:	10.6x	↖
7:	10.4	←
8:	10.7x	↓
9:	9.7	↑
10:	10.5	↖

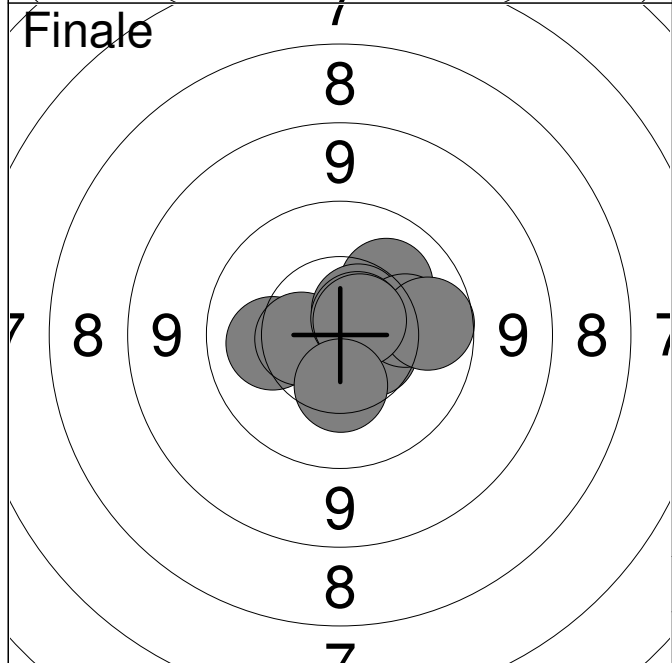
Serie	104.3
Total	503.3



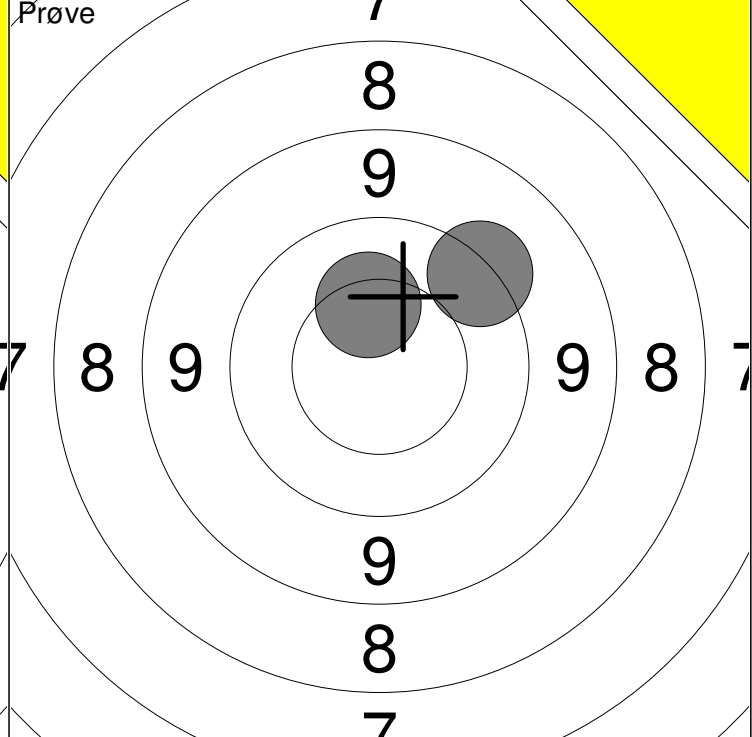
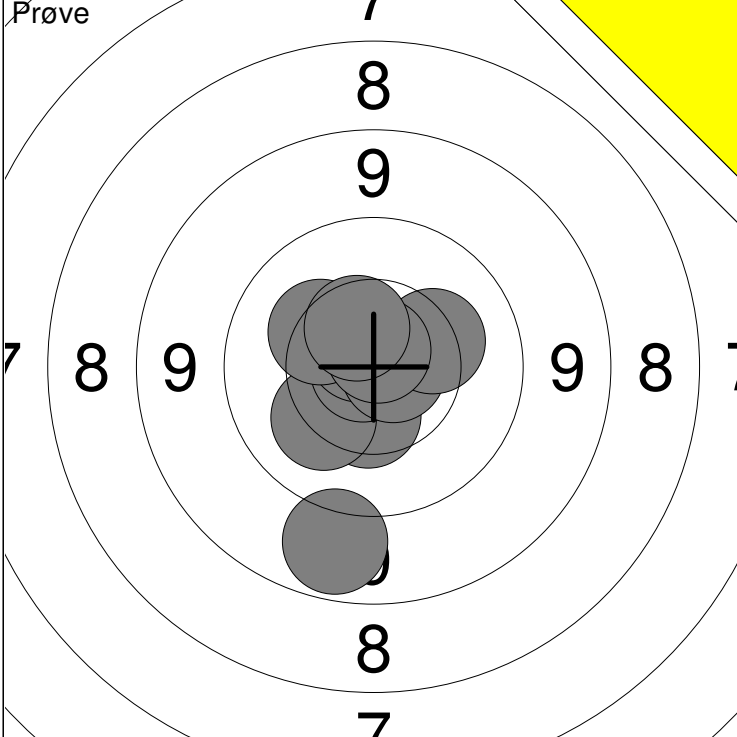
1:	10.4	→
2:	9.8	→
3:	10.5	→
4:	10.3	←
5:	10.3	←
6:	10.6x	↗
7:	10.7x	→
8:	10.2	↗
9:	10.7x	↗
10:	10.4	→
Serie		103.9
Total		399.0



11:	9.9	→
12:	10.5	↑
Serie		20.4
Total		399.0

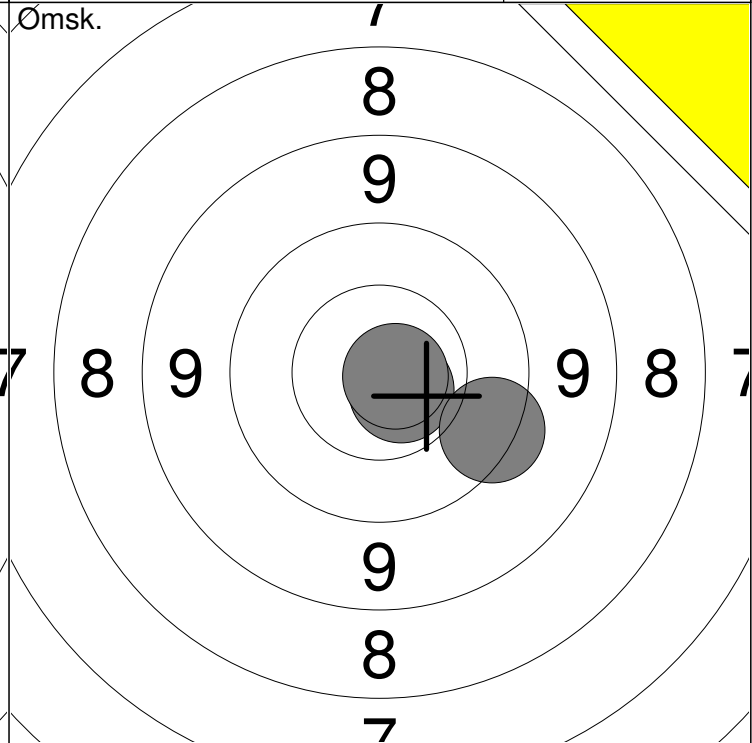
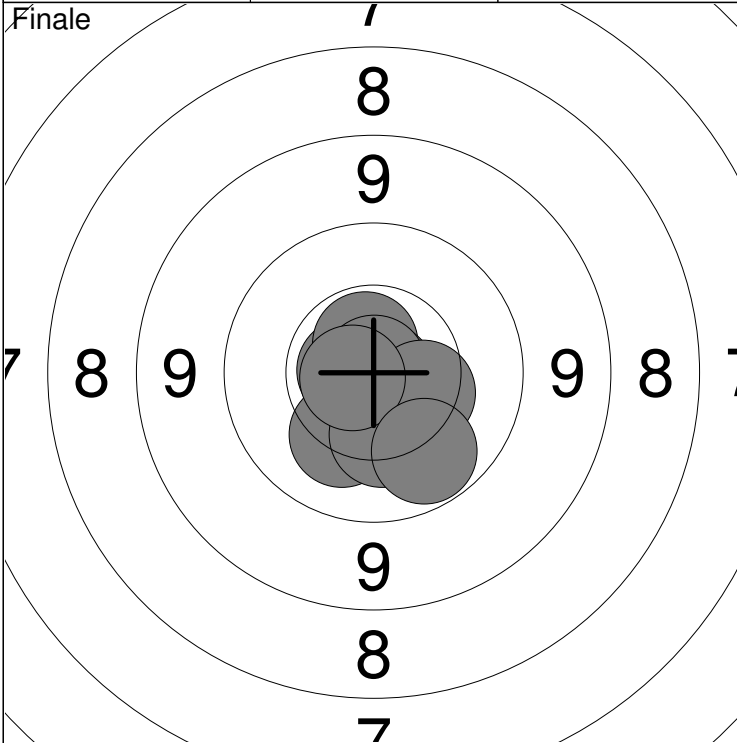


1:	10.6	→
2:	10.2	↗
3:	10.2	←
4:	10.5	←
5:	10.6x	↗
6:	10.2	→
7:	10.7x	↗
8:	9.9	→
9:	10.7x	↗
10:	10.4	↓
Serie		104.0
Total		503.0



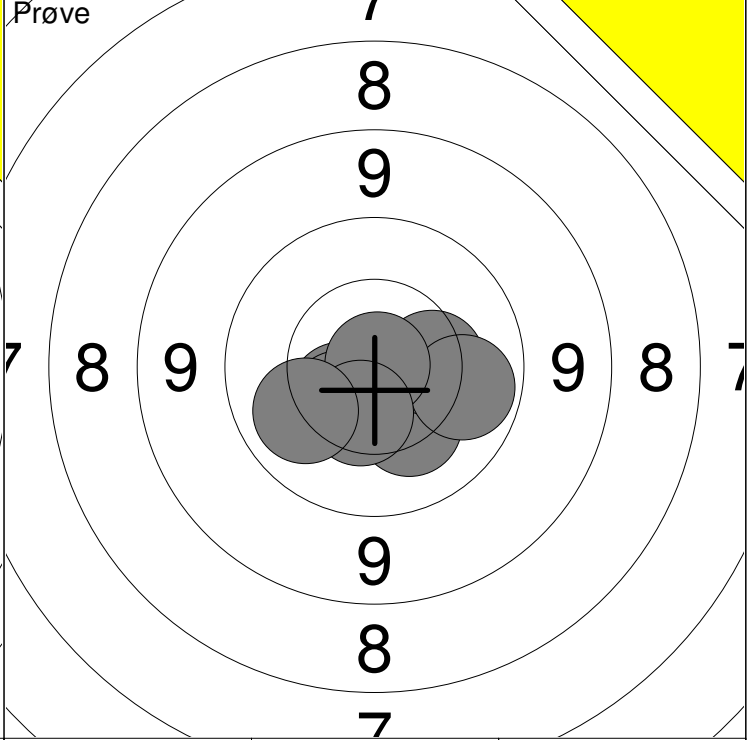
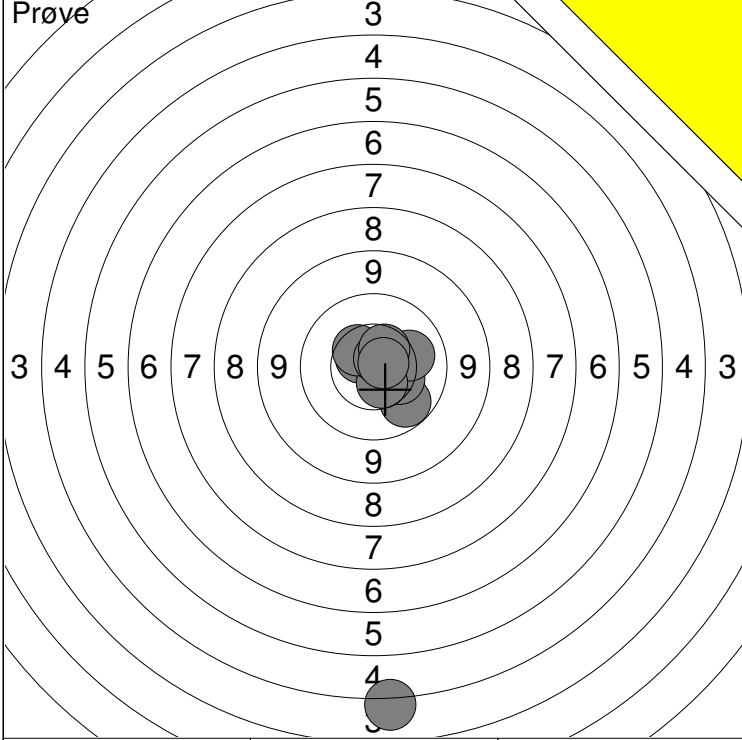
1: 9.0 ↓	6: 10.3 ↗	Serie	103.7
2: 10.4 ↓	7: 10.7x →		
3: 10.2 ↙	8: 10.3 →	Total	399.0
4: 10.8x ←	9: 10.8x ↗		
5: 10.7x ↖	10: 10.5 ↖		

11: 10.3 ↗	Serie	19.8
12: 9.5 ↗		
Total		399.0



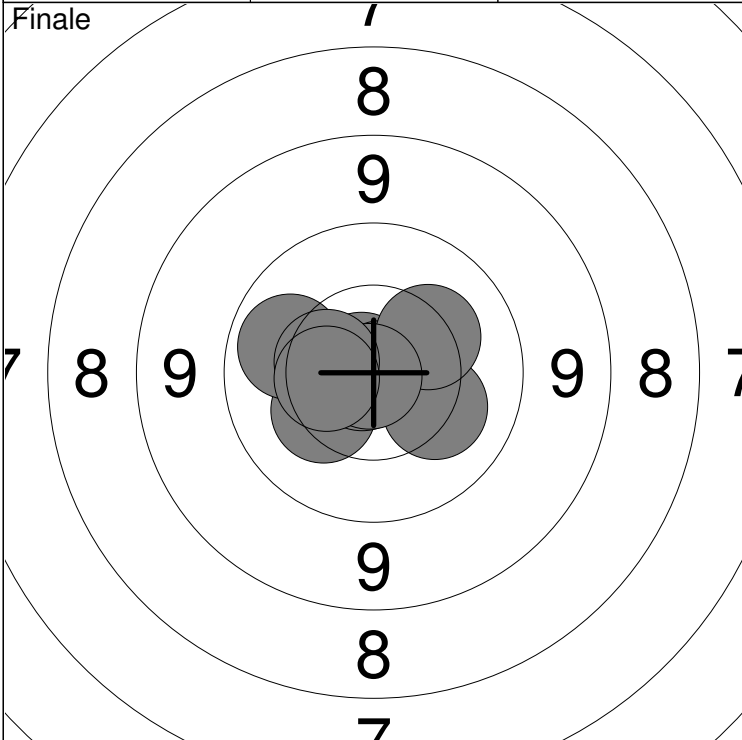
1: 10.7x ←	6: 10.3 ↓	Serie	105.2
2: 10.4 ↓	7: 10.9x ↗		
3: 10.7x ↗	8: 10.4 →	Total	504.2
4: 10.9x →	9: 10.7x ←		
5: 10.2 ↓	10: 10.0 ↓		

1: 10.7x ↓	Serie	31.1	
2: 9.6 ↓			
3: 10.8x →	Total		504.2



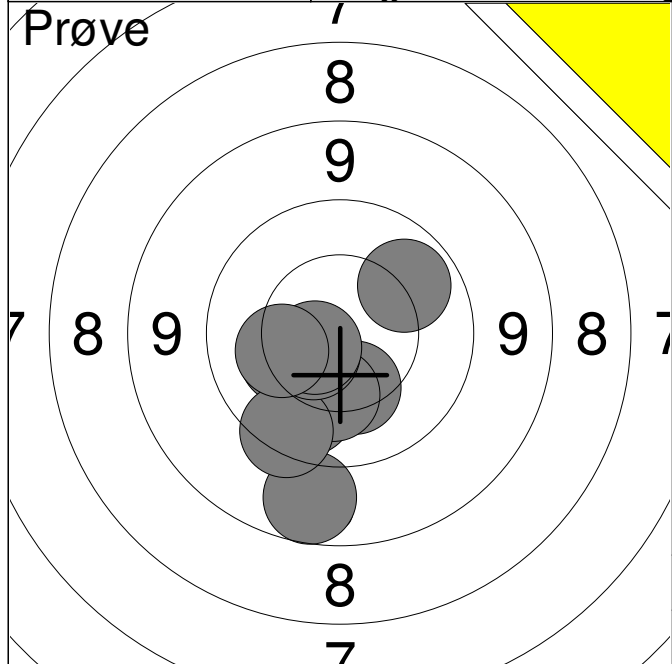
1: 3.2 ↓	6: 10.6 ↓	Serie	97.4	11: 10.5 ↙	16: 10.9x ↗	Serie	83.1
2: 10.0 ↓	7: 10.5 ↗			12: 10.3 ↓	17: 10.5 ↓		
3: 10.4 →	8: 10.7x ↗	Total	399.0	13: 10.4 →	18: 10.1 ↙	Total	399.0
4: 10.2 →	9: 10.5 ↗			14: 10.0 →			
5: 10.6x ↖	10: 10.7x →			15: 10.4 ↙			

11: 10.5 ↙	16: 10.9x ↗	Serie	83.1
12: 10.3 ↓	17: 10.5 ↓		
13: 10.4 →	18: 10.1 ↙	Total	399.0
14: 10.0 →			
15: 10.4 ↙			



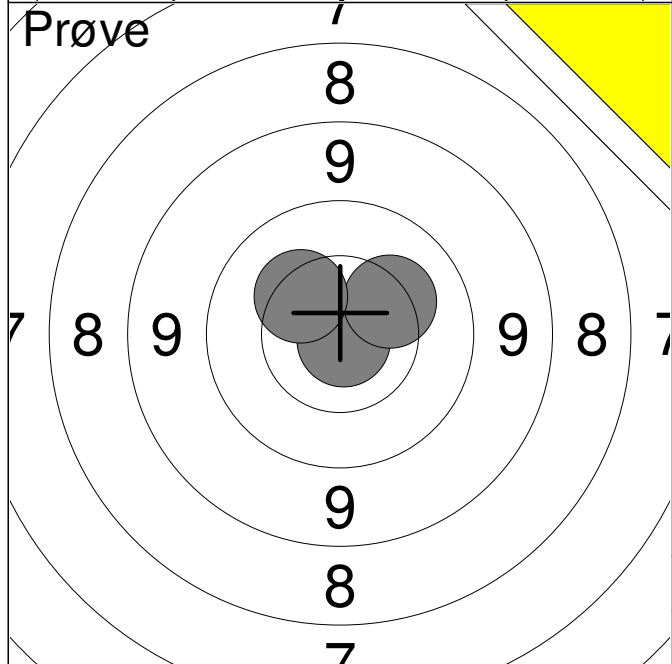
1: 10.3 ↖	6: 10.3 ↗	Serie	105.2	1: 10.4 ↗	Serie	31.6
2: 10.8x ↖	7: 10.9x ↖			2: 10.6x ←		
3: 10.9x →	8: 10.0 ←	Total	504.2	3: 10.6x ←	Total	504.2
4: 10.8x ↖	9: 10.5 ←					
5: 10.2 ↘	10: 10.5 ←					

1: 10.4 ↗	2: 10.6x ←	Serie	31.6
2: 10.6x ←	3: 10.6x ←		
3: 10.6x ←		Total	504.2



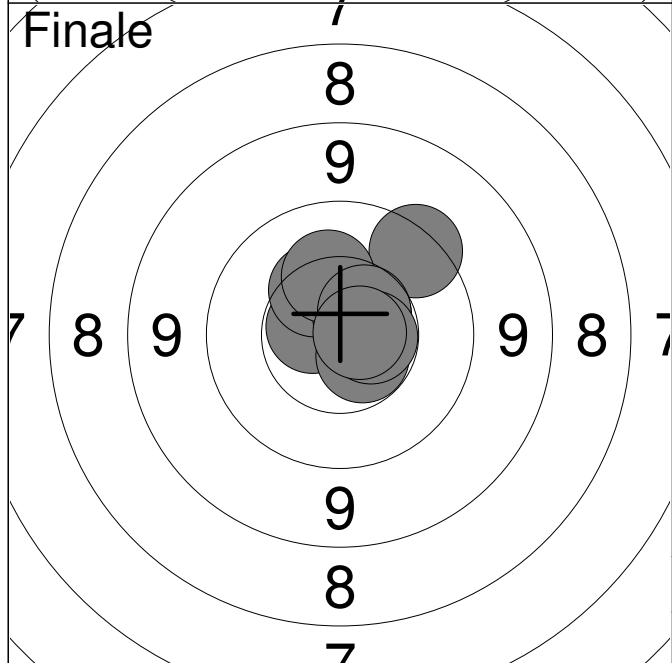
1:	10.0	↘
2:	8.9	↘
3:	10.3	↘
4:	10.3	↙
5:	10.2	↘
6:	9.6	↘
7:	10.6	↙
8:	10.6x	↙
9:	10.2	↙
10:	10.0	↗

Serie	100.7
Total	399.0



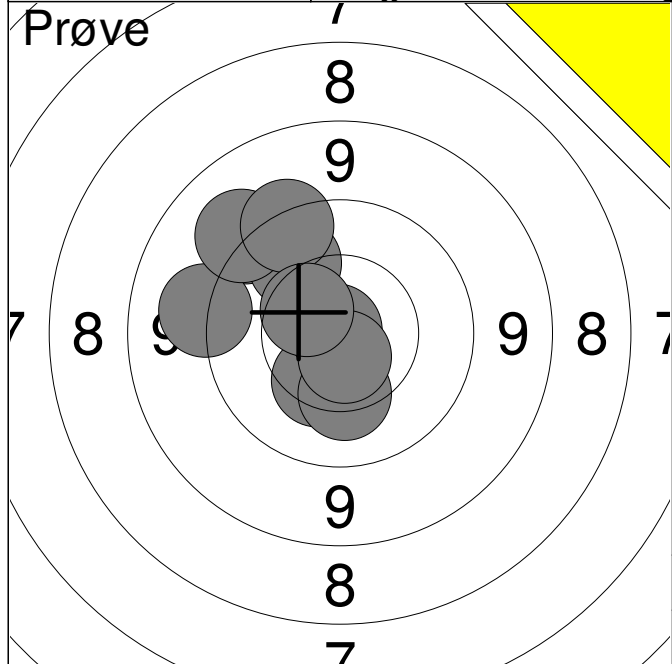
11:	10.9x	↘
12:	10.3	↗
13:	10.3	↗

Serie	31.5
Total	399.0



1:	10.6x	↙
2:	10.4	↗
3:	10.6x	↗
4:	10.6x	↘
5:	9.6	↗
6:	10.7x	↗
7:	10.3	↑
8:	10.6	↗
9:	10.6x	→
10:	10.7x	→

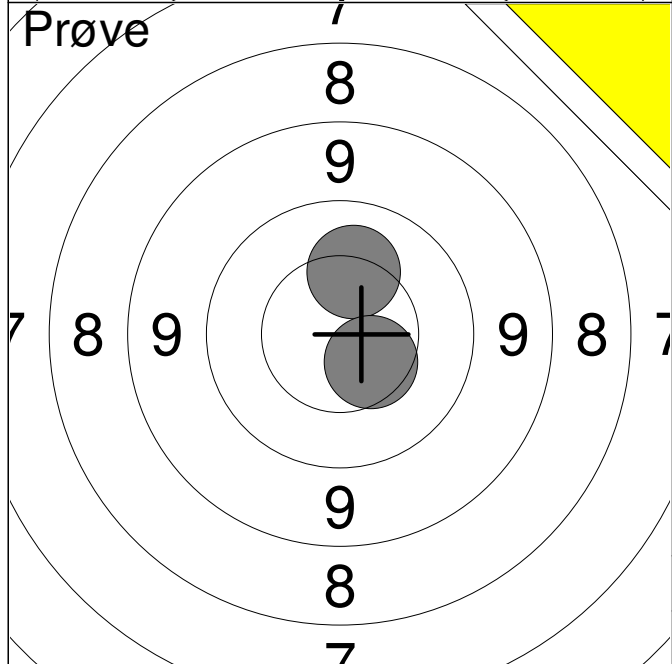
Serie	104.7
Total	503.7



1:	9.3	↗
2:	9.3	↖
3:	10.0	↗
4:	9.3	↗
5:	9.5	↗
6:	10.4	↘
7:	10.9x	↗
8:	10.2	↘
9:	10.7x	↘
10:	10.5	↗

Serie	100.1
--------------	--------------

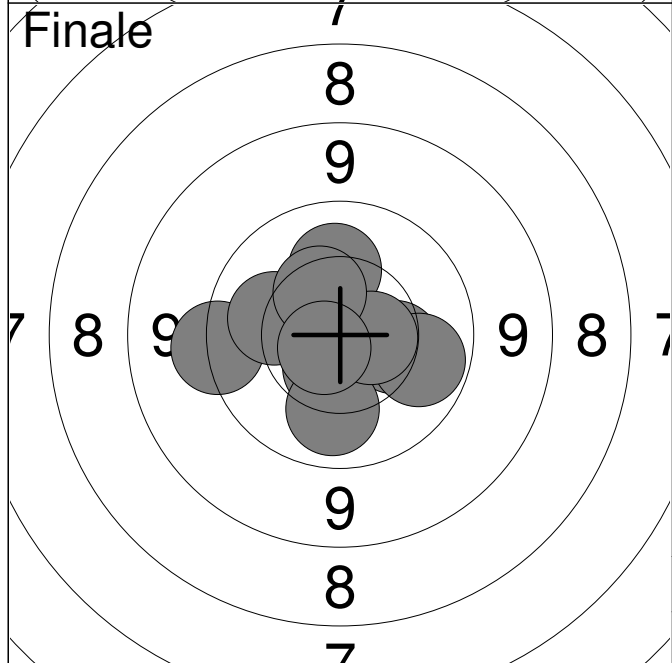
Total	399.0
--------------	--------------



11:	10.2	↗
12:	10.5	↘

Serie	20.7
--------------	-------------

Total	399.0
--------------	--------------



1:	9.5	↖
2:	10.2	↖
3:	10.3	↗
4:	10.0	↗
5:	10.6	↘
6:	10.1	↘
7:	10.2	↗
8:	10.6x	↗
9:	10.4	↗
10:	10.7x	↖

Serie	102.6
--------------	--------------

Total	501.6
--------------	--------------